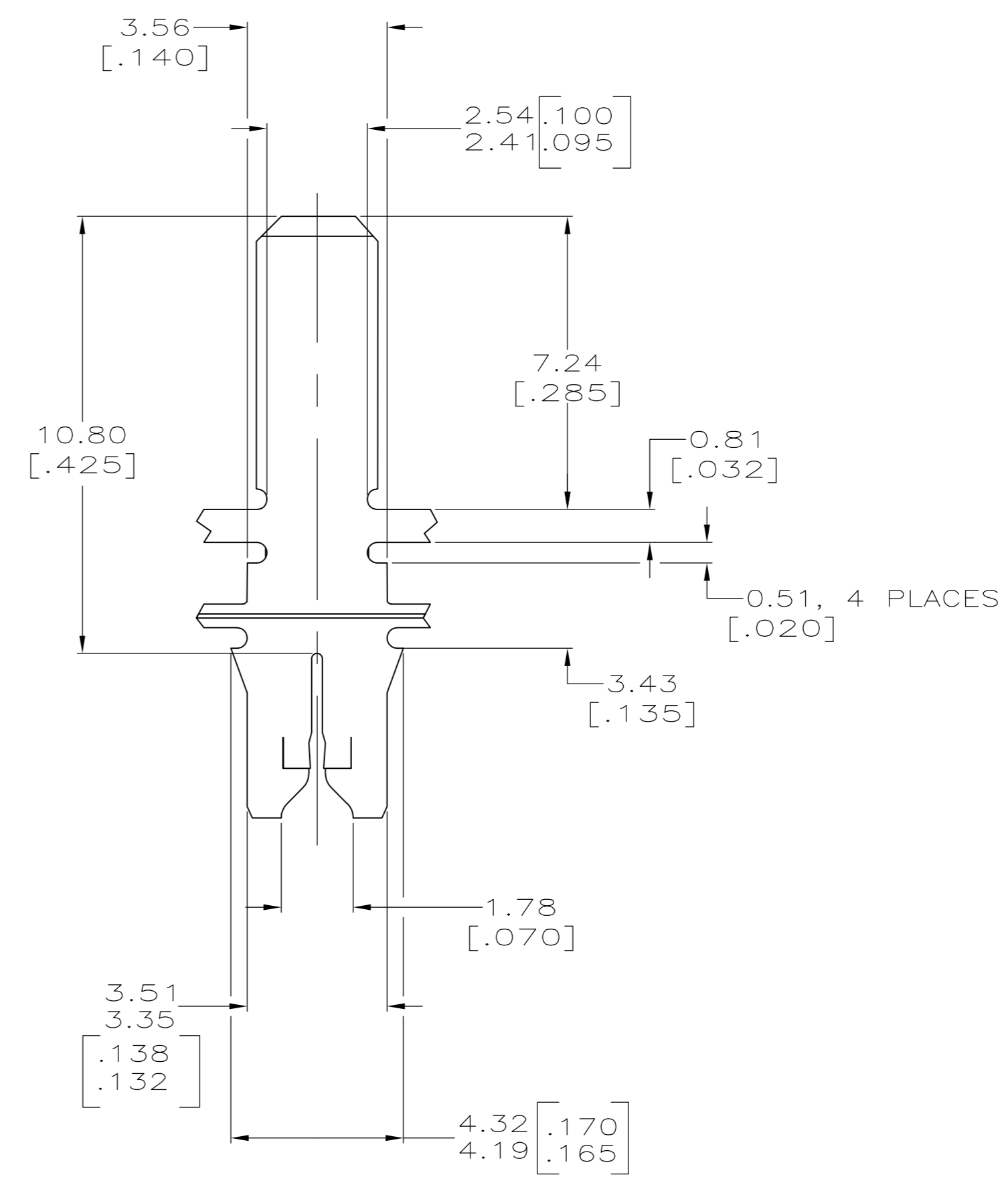
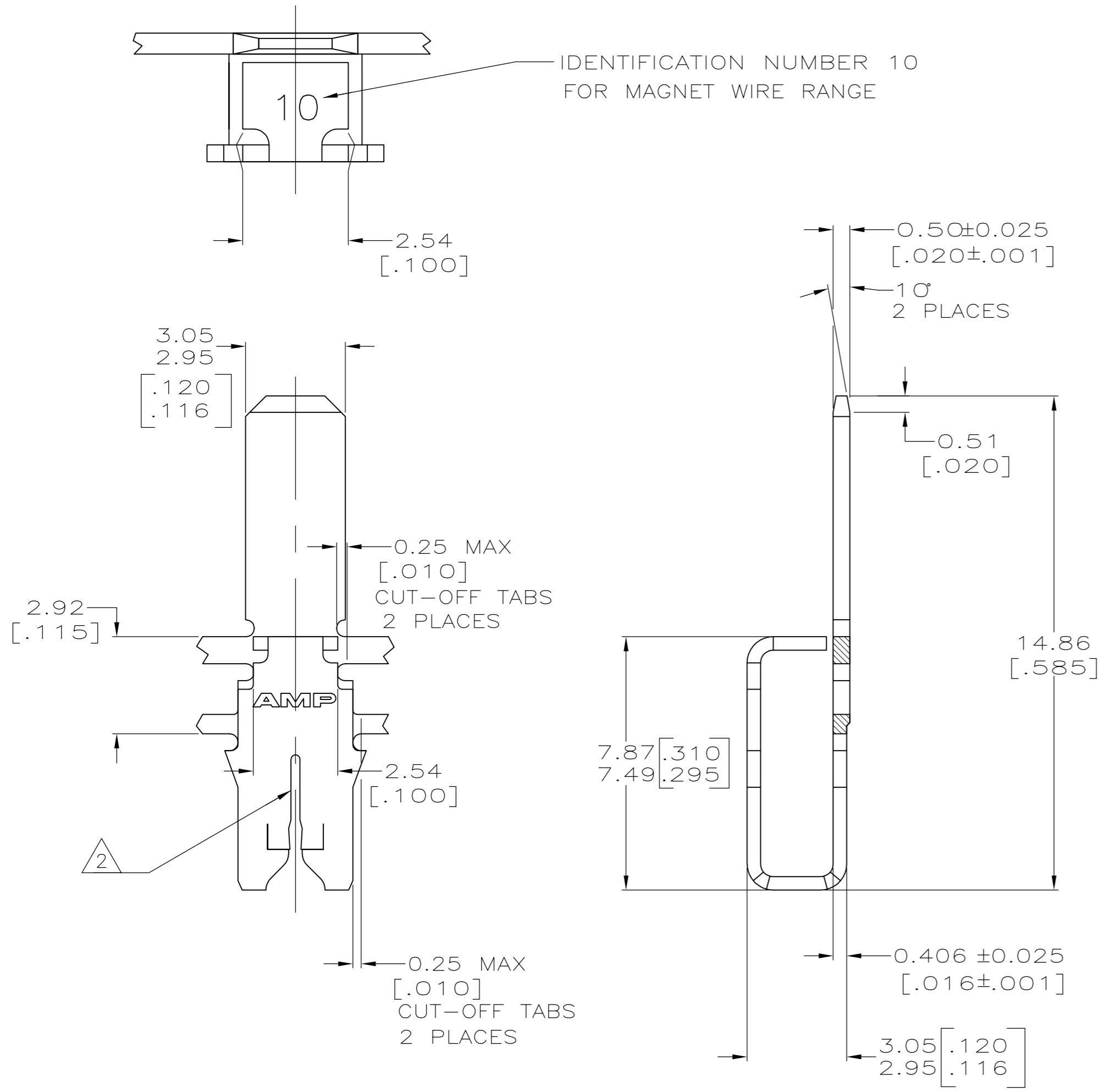


THIS DRAWING IS UNPUBLISHED. RELEASED FOR PUBLICATION  
 © COPYRIGHT BY TYCO ELECTRONICS CORPORATION. ALL RIGHTS RESERVED.

LOC	DIST	REVISIONS			
P	LTR	DESCRIPTION	DATE	DWN	APVD
AF	50	A1	REVISED PER ECR-07-018614	10AUG07	HMR KR

- 1 CONTINUOUS STRIP ON REELS WITH TERMINALS LOCATED ON 5.59±0.08 [.220±.003] CENTERS
- 2 SLOT ACCEPTS A SINGLE 0.36-0.57mm [#27-#23] AWG COPPER MAGNET WIRE
- 3 TERMINALS ARE STRESS RELIEVED
- 4 PRELIMINARY - NOT FOR PRODUCTION.



0.00127[.000050] MIN NICKEL	4 63973-2
0.002032[.000080] MIN TIN	63973-1
FINISH	PART NUMBER

THIS DRAWING IS A CONTROLLED DOCUMENT.		DWN R.GRZYBOWSKI 9APR97	Tyco Electronics Corporation Harrisburg, PA 17105-3608	
DIMENSIONS: mm [INCHES]		CHK M.S.FEHER 9APR97	NAME	
TOLERANCES UNLESS OTHERWISE SPECIFIED:		APVD K.RANDOLPH 9APR97	TERMINAL, TAB, 3.00[.118], MAG-MATE™	
0 PLC ± -	1 PLC ± -	PRODUCT SPEC 108-2012	SIZE	CAGE CODE
2 PLC ± 0.25[.010]	3 PLC ± -	APPLICATION SPEC 114-2046	A2	00779
4 PLC ± -	ANGLES ± -	FINISH	DRAWING NO	RESTRICTED TO
MATERIAL H04 PRE-MILLED BRASS		SEE TABLE 3	SCALE 8:1	SHEET 1 OF 1
CUSTOMER DRAWING		WEIGHT -	REV A1	