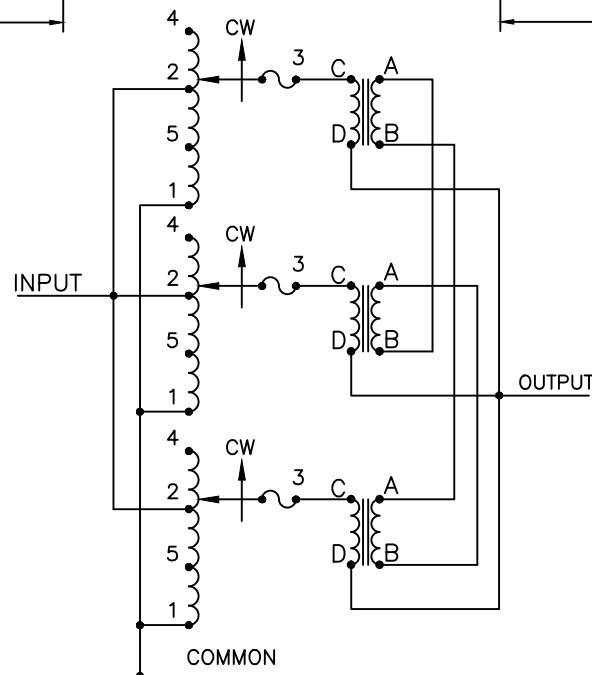
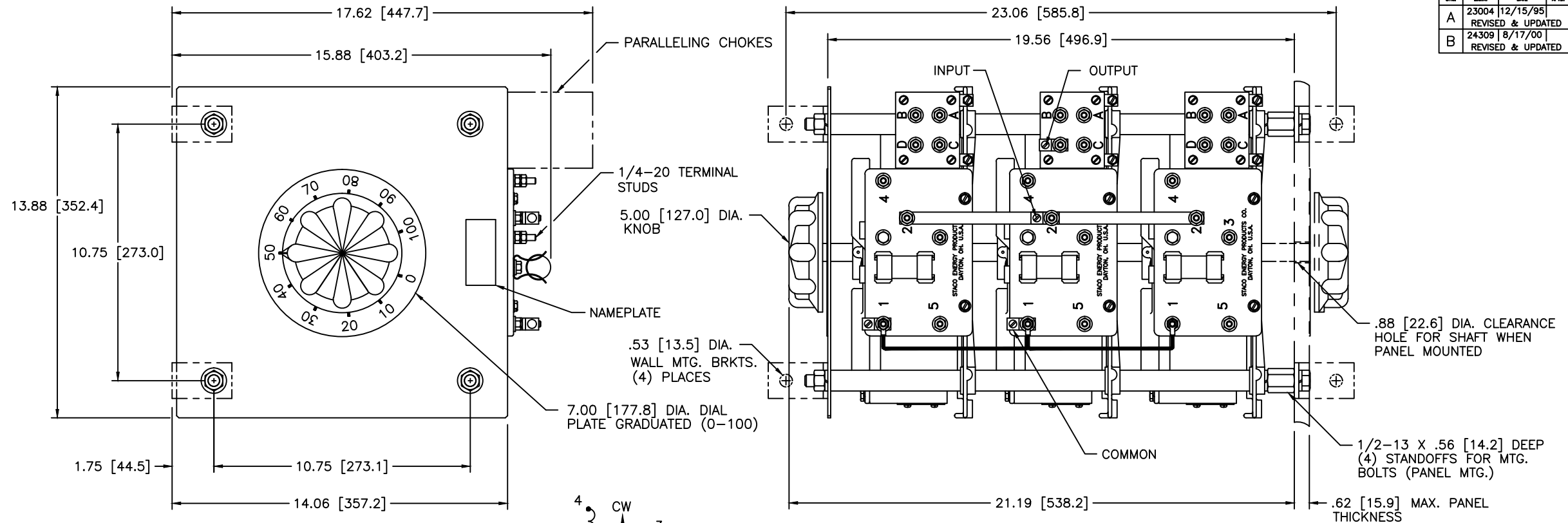


Dwg. No.		032-7931	
REVISIONS			
SYL.	E.C.N.	DATE	APVD.
A	23004	12/15/95	
REVISED & UPDATED			
B	24309	8/17/00	
REVISED & UPDATED			



SPECIFICATIONS									
WIRING	INPUT		OUTPUT			SHAFT ROTATION TO INCREASE VOLTAGE	TERMINAL CONNECTIONS		
	VOLTS	HERTZ	VOLTS	MAX. AMPS	MAX. KVA		FOR INCREASING VOLTAGE AS VIEWED FROM ROTOR END		
							INPUT	JUMPER	OUTPUT
SINGLE PHASE	240	50/60	0-240	105	25.2	CW	1-4	---	1-D
			0-280	105	29.4	CW	1-2	---	1-D
PARALLEL	120	50/60	0-280	105-45	12.6	CW	1-5	---	1-D

UNLESS OTHERWISE SPECIFIED, TOLERANCE IS: DECIMALS: .005 ANGLES: 1° DRAFT: 1-1/2°	UNITS: IN [mm]	TITLE: SPEC. CONTROL DWG. VARIABLE TRANSFORMER TYPE: 6020-3P	
MATERIAL:	ALL DIMENSIONS APPLY UNLESS NOTED	DRAWN BY: K. TOLLIVER CHECKER: [] ENGINEER: [] DATE: 1/30/92 FIRST USED ON: 246 LBS. SCALE: .5=1 SHEET 1 of 1	
The information and design disclosed herein was originated by and is the property of STACO ENERGY PRODUCTS CO., which reserves all patent, proprietary, design, manufacturing, reproduction, use and sale rights therein, and to any articles disclosed therein, except to the extent rights are expressly granted to others. The foregoing does not apply to vendor proprietary parts.			CUSTOMER APPROVAL: [] DATE: []