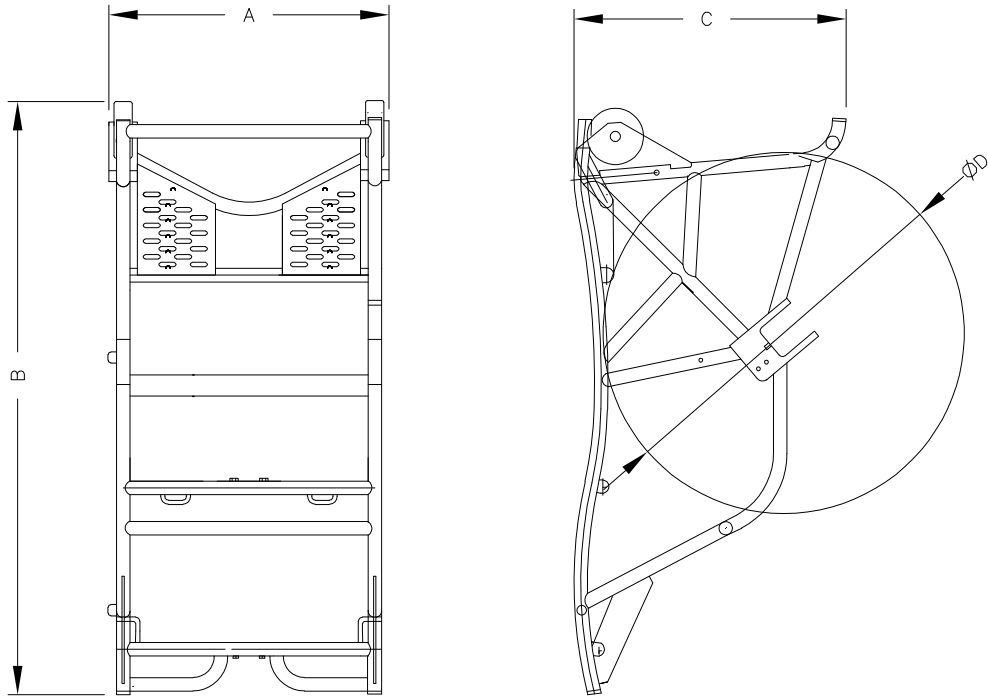


LOC CE	DIST 16	REVISIONS				
P	LTR	DESCRIPTION	DATE	DWN	APVD	
	A2	MINOR REV, CORRECTION TO TABLE, CUST DWG	08FEB10	JB	JB	



TE P/N	A	B	C	MAX REEL DIA D	APPROXIMATE WEIGHT (kg)
1754516-1	395.0	836.9	310.5	370.0	6.08
1754516-2	395.0	836.9	363.3	470.0	6.25
1754516-3	395.0	836.9	384.1	510.0	6.50

1. DIMENSIONS ARE FOR REFERENCE ONLY.
- 2 MATERIAL: ALUMINUM 6061-76.
- 3 FINISH: POLYESTER EPOXY, COLOR RAL 6006.
4. REEL SHOWN FOR REFERENCE ONLY, NOT SUPPLIED.
5. CRANK HANDLE AND UTILITY POUCH SUPPLIED, BUT NOT SHOWN.

THIS DRAWING IS UNPUBLISHED.

ALL INTERNATIONAL RIGHTS RESERVED.
BY TYCO ELECTRONICS CORPORATION.
COPYRIGHT

DIMENSIONS: mm	DWN K. GLATFELTER 23MAR2005	MATERIAL 2 -	FINISH 3 -
	CHK J. SHIPE 08MAY2005	Tyco Electronics Corporation Harrisburg, PA 17105-3608	
TOLERANCES UNLESS OTHERWISE SPECIFIED:	APVD D. BAECHTLE 08MAY2005	NAME BACKPACK ASSEMBLY CABLE REEL	
	PRODUCT SPEC -	SIZE A4	CAGE CODE 00779
0 PLC ± -	APPLICATION SPEC -	DRAWING NO C-1754516	RESTRICTED TO -
1 PLC ± -	WEIGHT -		
2 PLC ± -		SCALE NTS	SHEET 1 OF 1
3 PLC ± -		REV A2	
4 PLC ± -		CUSTOMER DRAWING	
ANGLES ± -			

