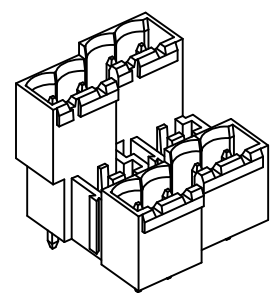
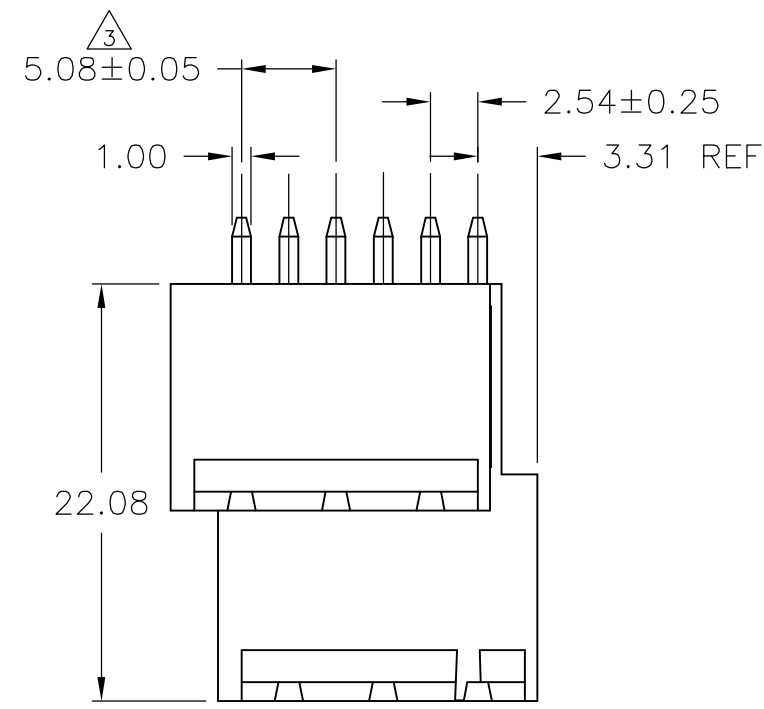
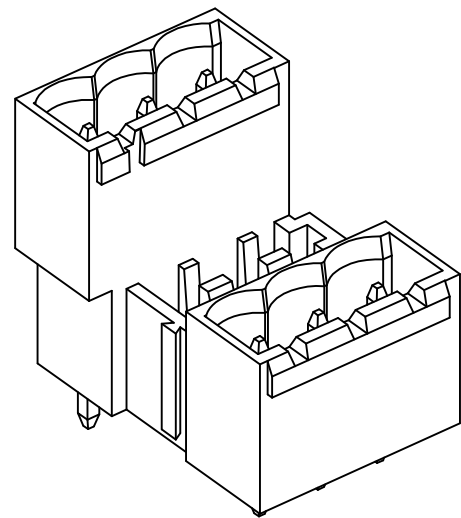


THIS DRAWING IS UNPUBLISHED. RELEASED FOR PUBLICATION
 © COPYRIGHT - By - ALL RIGHTS RESERVED.

LOC	DIST	REVISIONS					
		P	LTR	DESCRIPTION	DATE	DWN	APVD
-	-		C4	REVISED PER ECO-12-007714	25APR12	KH	MS

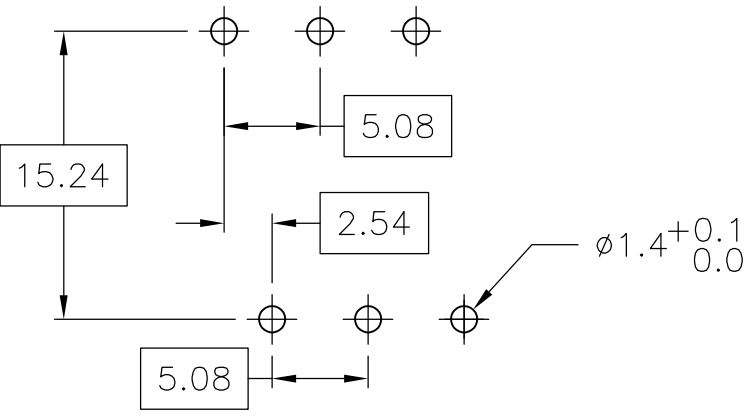
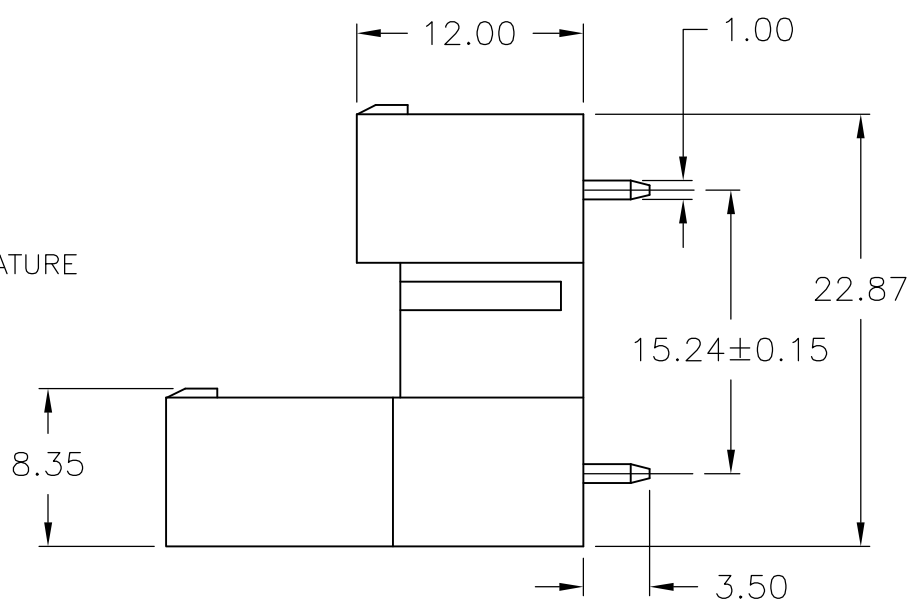
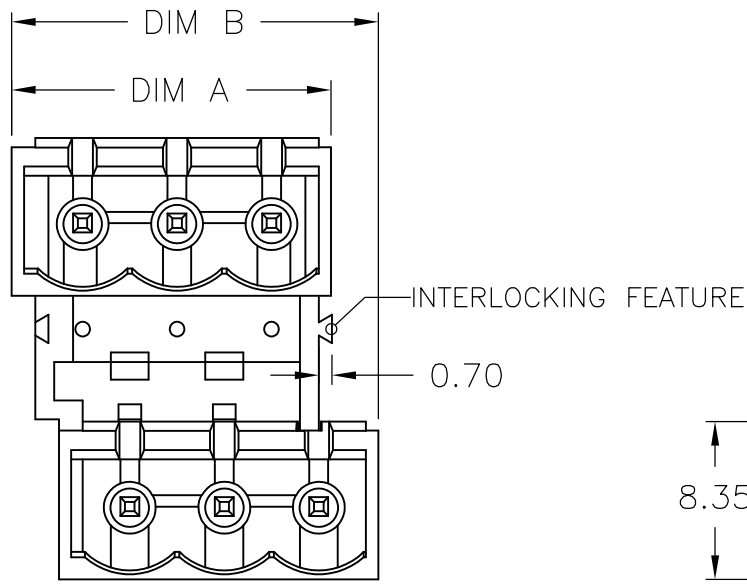


EXPLODED VIEW OF 284064-4



284065-3 AS SHOWN

5 MODULES AND KEYS TO BE GLUED IN PLACE.



RECOMMENDED PC BOARD LAYOUT

- 1 MATERIALS AND FINISH:
HOUSING: PA 6-6, UL94V-0, COLOR GREEN.
TERMINAL: COPPER ALLOY, TIN PLATED.
- 2 SUITABLE FOR 1.6-2.4mm PC BOARD THK.
- 3 NON CUMULATIVE TOLERANCE.
- 4 P/N FROM 28465-3 TO 2-284065-5 ARE OBTAINED BY ASSEMBLING DIFFERENT MONOLITHIC MODULES CHOOSEN AMONG: 284065-2 AND 284065-3, IN ORDER TO REALIZE THE DESIRED NO. OF WAYS.

5				
5	108.72	111.26	21	3-284065-3
5	78.24	80.78	15	3-284065-2
5	83.32	85.86	16	3-284065-1
5	123.96	126.50	24	3-284065-0
5	123.96	126.50	24	2-284065-9
5	93.48	96.02	18	2-284065-8
5	83.32	85.86	16	2-284065-7
5	63.00	65.54	12	2-284065-6
5	129.92	132.46	25	2-284065-5
5	123.96	126.50	24	2-284065-4
5	118.88	121.42	23	2-284065-3
5	113.80	116.34	22	2-284065-2
5	108.72	111.26	21	2-284065-1
5	103.64	106.18	20	2-284065-0
5	98.56	101.10	19	1-284065-9
5	93.48	96.02	18	1-284065-8
5	88.40	90.94	17	1-284065-7
5	83.32	85.86	16	1-284065-6
5	78.24	80.78	15	1-284065-5
5	73.16	74.50	14	1-284065-4
5	68.08	70.62	13	1-284065-3
5	63.00	65.54	12	1-284065-2
5	57.92	60.46	11	1-284065-1
5	52.84	55.38	10	1-284065-0
5	47.76	50.30	9	284065-9
5	42.68	45.22	8	284065-8
5	37.60	40.14	7	284065-7
5	32.52	35.06	6	284065-6
5	27.44	29.98	5	284065-5
5	22.36	24.90	4	284065-4
5	17.28	19.82	3	284065-3
5	12.2	14.74	2	284065-2
	DIM"A"	DIM"B"	N°OF TOTAL POS.	PART NUMBER

THIS DRAWING IS A CONTROLLED DOCUMENT.		DWN	S SCHLEGEL	07MAR2008
		CHK	C RICHARD	3/7/08
		APVD	C RICHARD	3/7/08
DIMENSIONS: mm		TOLERANCES UNLESS OTHERWISE SPECIFIED:		
		0 PLC	± -	
		1 PLC	± 0.3	
		2 PLC	± 0.25	
		3 PLC	± -	
		4 PLC	± -	
MATERIAL		FINISH ± 2'		
		PRODUCT SPEC		
		APPLICATION SPEC		
		WEIGHT -		
		CUSTOMER DRAWING		

STE TE Connectivity

NAME: TERMINAL BLOCK, MULTIPLE HEADER, 180 DEGREE CLOSED ENDS, 5.08mm PITCH

SIZE	CAGE CODE	DRAWING NO	RESTRICTED TO
A3	00779	C-284065	-

SCALE: NTS SHEET: 1 OF 4 REV: C4

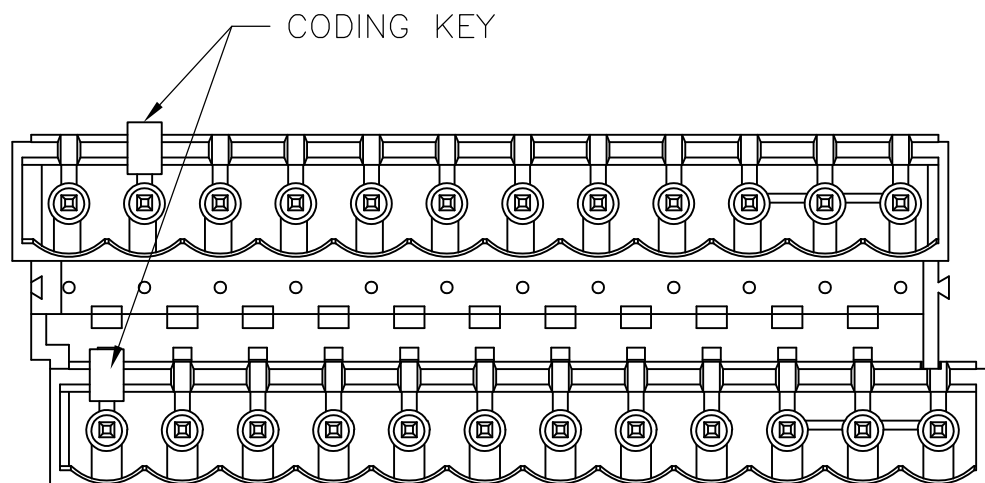
THIS DRAWING IS UNPUBLISHED.

RELEASED FOR PUBLICATION

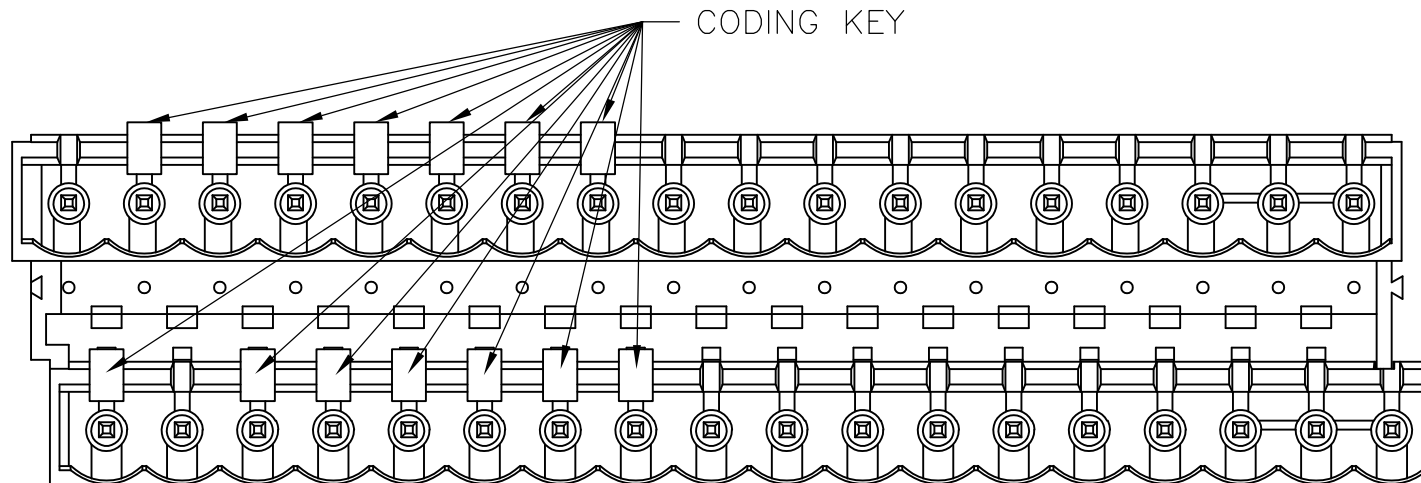
© COPYRIGHT - By -

ALL RIGHTS RESERVED.

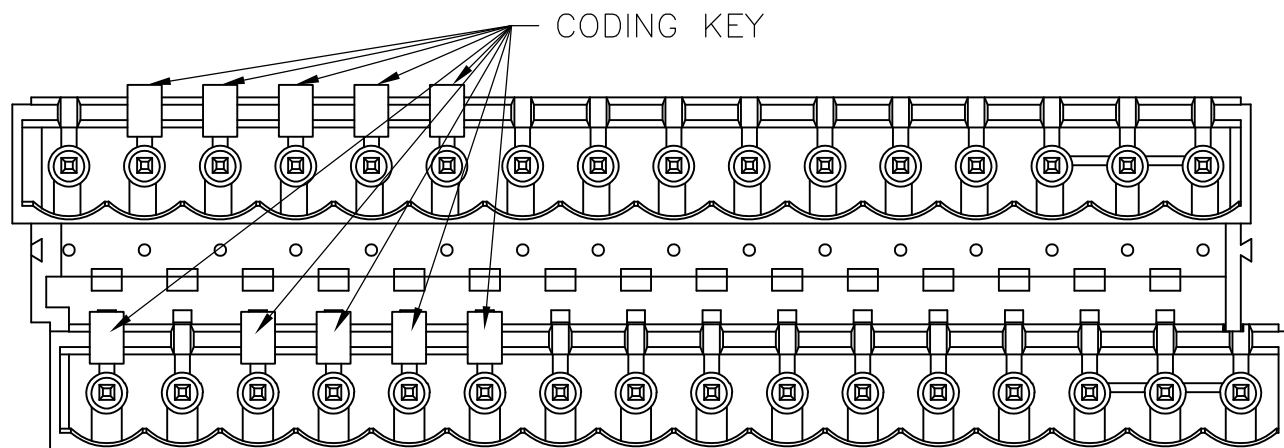
LOC	DIST	REVISIONS			
P	LTR	DESCRIPTION	DATE	DWN	APVD
-	-	SEE SHEET 1	-	-	-



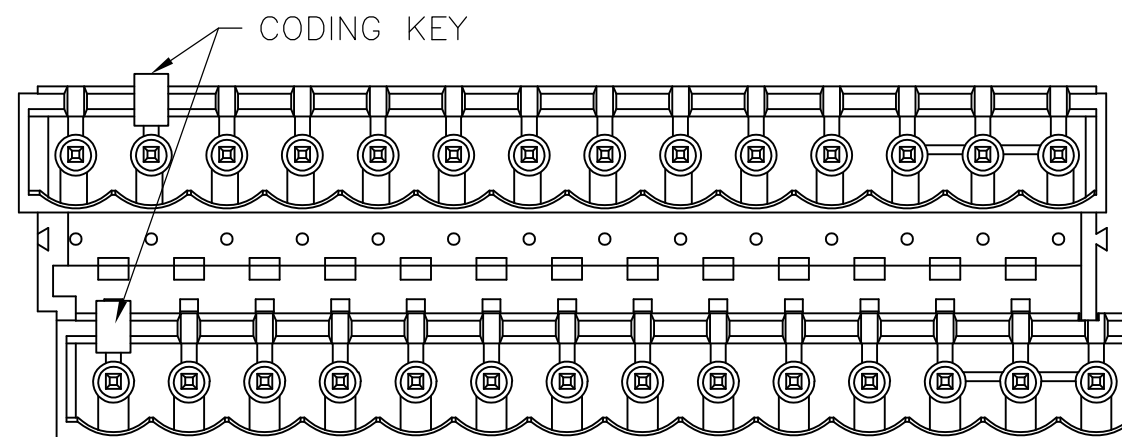
2-284065-6




2-284065-9



2-284065-7

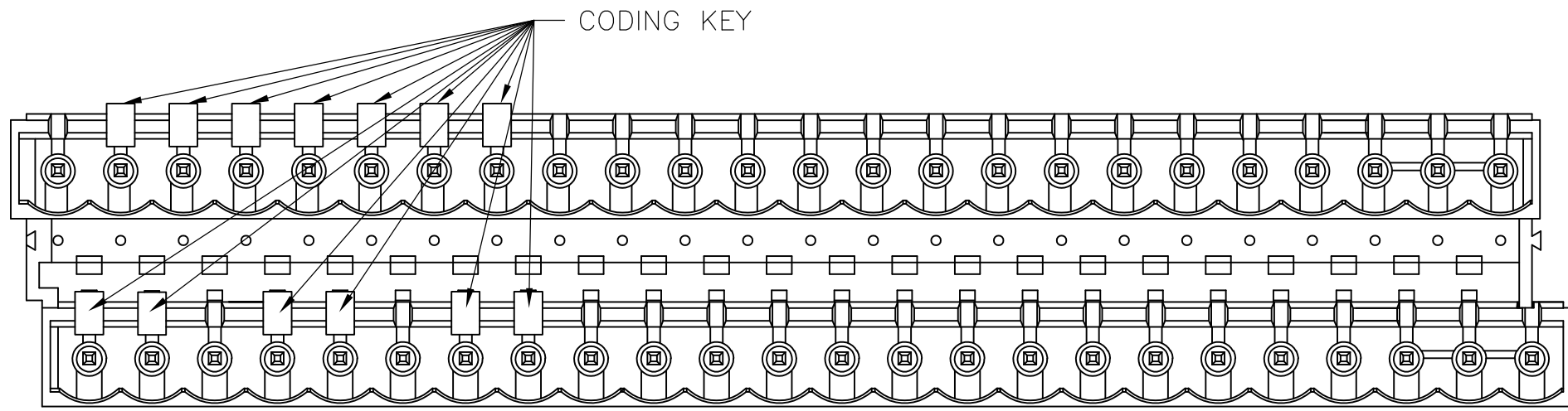


2-284065-8

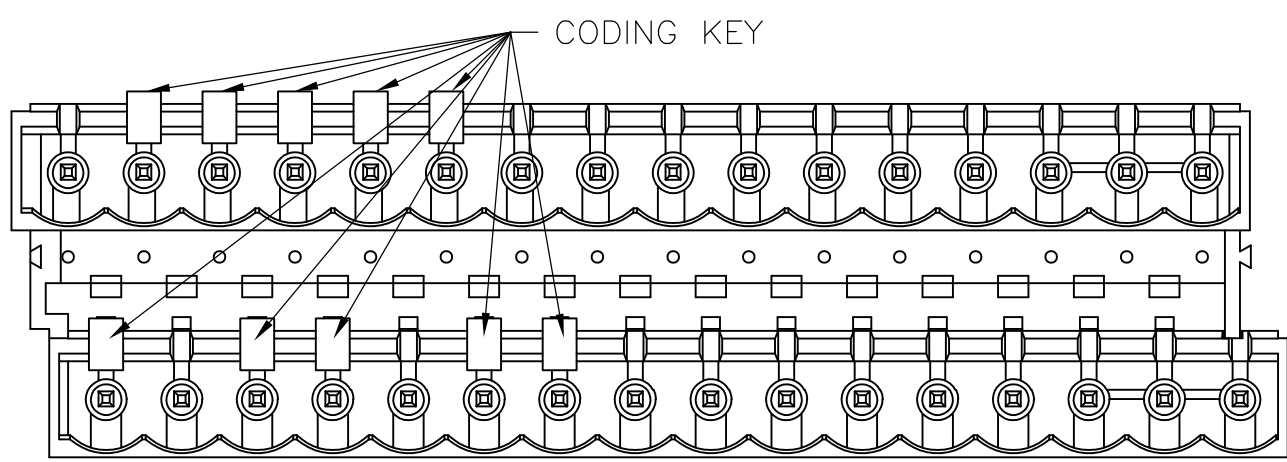
THIS DRAWING IS A CONTROLLED DOCUMENT.		DWN S SCHLEGEL 07MAR2008	 TE Connectivity													
DIMENSIONS: mm		CHK C RICHARD 3/7/08														
TOLERANCES UNLESS OTHERWISE SPECIFIED:		APVD C RICHARD 3/7/08	NAME TERMINAL BLOCK, MULTIPLE HEADER, 180 DEGREE CLOSED ENDS, 5.08mm PITCH													
<table border="0"> <tr> <td>0 PLC</td> <td>± -</td> </tr> <tr> <td>1 PLC</td> <td>± 0.3</td> </tr> <tr> <td>2 PLC</td> <td>± 0.25</td> </tr> <tr> <td>3 PLC</td> <td>± -</td> </tr> <tr> <td>4 PLC</td> <td>± -</td> </tr> <tr> <td>ANGLES</td> <td>± 2°</td> </tr> </table>		0 PLC	± -	1 PLC	± 0.3	2 PLC	± 0.25	3 PLC	± -	4 PLC	± -	ANGLES	± 2°	PRODUCT SPEC -	SIZE A3	
0 PLC	± -															
1 PLC	± 0.3															
2 PLC	± 0.25															
3 PLC	± -															
4 PLC	± -															
ANGLES	± 2°															
MATERIAL -		FINISH -	CAGE CODE 00779	DRAWING NO C-284065												
		APPLICATION SPEC -	RESTRICTED TO -													
		WEIGHT -	CUSTOMER DRAWING													
		SCALE NTS		SHEET 2 OF 4												
				REV C4												

THIS DRAWING IS UNPUBLISHED. RELEASED FOR PUBLICATION
 © COPYRIGHT - By - ALL RIGHTS RESERVED.


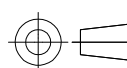
LOC	DIST	REVISIONS			
P	LTR	DESCRIPTION	DATE	DWN	APVD
-	-	SEE SHEET 1	-	-	-



3-284065-0

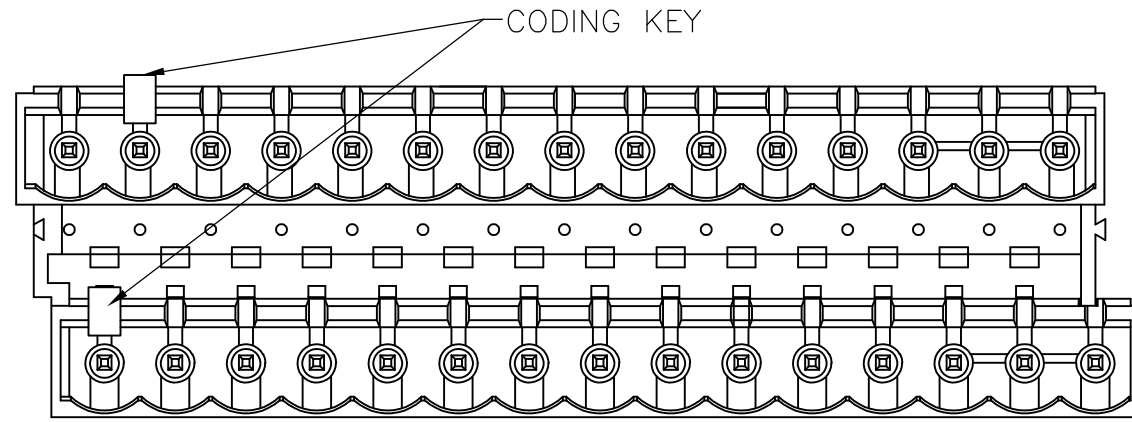


3-284065-1

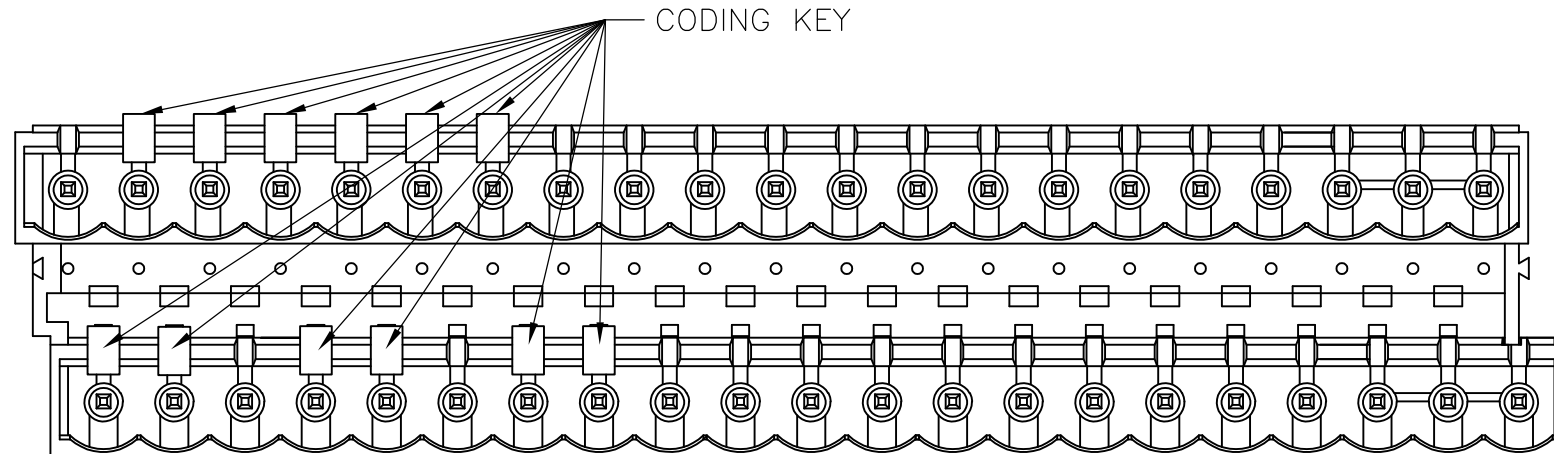
THIS DRAWING IS A CONTROLLED DOCUMENT.		DWN S SCHLEGEL 07MAR2008	 TE Connectivity		
DIMENSIONS: mm 		CHK C RICHARD 3/7/08			
TOLERANCES UNLESS OTHERWISE SPECIFIED: 0 PLC ± - 1 PLC ± 0.3 2 PLC ± 0.25 3 PLC ± - 4 PLC ± - ANGLES ± 2°		APVD C RICHARD 3/7/08	NAME TERMINAL BLOCK, MULTIPLE HEADER, 180 DEGREE CLOSED ENDS, 5.08mm PITCH		
MATERIAL -		FINISH -	PRODUCT SPEC -	APPLICATION SPEC -	RESTRICTED TO -
		WEIGHT -	SIZE A3	CAGE CODE 00779	DRAWING NO C-284065
CUSTOMER DRAWING			SCALE NTS	SHEET 3 OF 4	REV C4

THIS DRAWING IS UNPUBLISHED. RELEASED FOR PUBLICATION - , -
 © COPYRIGHT - By - ALL RIGHTS RESERVED.

LOC		DIST		REVISIONS			
P	LTR	DESCRIPTION		DATE	DWN	APVD	
-	-	SEE SHEET 1		-	-	-	



3-284065-2



3-284065-3

THIS DRAWING IS A CONTROLLED DOCUMENT.		DWN	07MAR2008		STE TE Connectivity				
		CHK	3/7/08						
		APVD	3/7/08		NAME TERMINAL BLOCK, MULTIPLE HEADER, 180 DEGREE CLOSED ENDS, 5.08mm PITCH				
		PRODUCT SPEC							
		APPLICATION SPEC			SIZE	CAGE CODE	DRAWING NO	RESTRICTED TO	
		WEIGHT			A3	00779	C-284065	-	
CUSTOMER DRAWING		SCALE	NTS		SHEET	4 OF 4		REV	C4

DIMENSIONS:	TOLERANCES UNLESS OTHERWISE SPECIFIED:
mm	
	0 PLC ± -
	1 PLC ± 0.3
	2 PLC ± 0.25
	3 PLC ± -
	4 PLC ± -
	ANGLES ± 2°

MATERIAL	FINISH
-	-

D
C
B
A

D
C
B
A