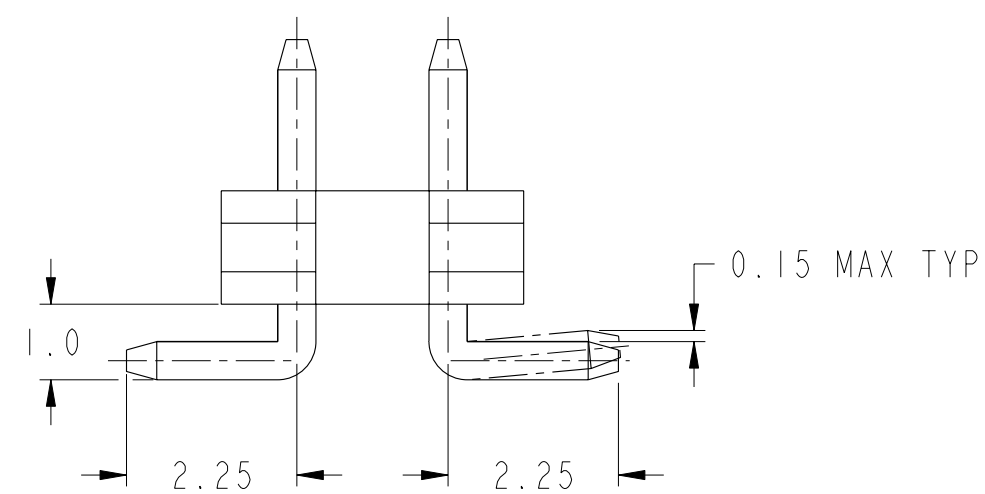


NOTE 6



CONFIDENTIAL

www.fciconnect.com			surface - ✓ ISO 1302	tolerance std ISO 406 ISO 1101	projection A3	MM
TOLERANCES UNLESS OTHERWISE SPECIFIED						
Dr	ML CHWA	1994-10-24	ANGULAR	0.X	±-	size A3
Eng	BSL	1994-10-27		LINEAR	0.XX	
Chr	KH LEE	2010-01-11	0° ±°	0.XXX	±-	ECN S10-0205
Appr	JOEY NG	2010-01-11	Product family		MINITEK	Spec ref -
-	-	-	FCi		MINITEK II	Rev. C
-	-	-	SMT STR HEADER		dwg no 94267	
-	-	-	catalog no		CUSTOMER	sheet 1 of 2

rev	ecn no	dr	date
A	S40256	BSL	1994-10-24
B	S05-0102	KBM	2005-04-08
C	S10-0205	PR	2010-01-11
-	-	-	-
-	-	-	-
-	-	-	-
-	-	-	-

PRODUCT NO	POS	DIM X	DIM Y
94267-X04	2 X 2	2	4
-X06	2 X 3	4	6
-X08	2 X 4	6	8
-X10	2 X 5	8	10
-X12	2 X 6	10	12
-X14	2 X 7	12	14
-X16	2 X 8	14	16
-X18	2 X 9	16	18
-X20	2 X 10	18	20
-X22	2 X 11	20	22
-X24	2 X 12	22	24
-X26	2 X 13	24	26
-X28	2 X 14	26	28
-X30	2 X 15	28	30
-X32	2 X 16	30	32
-X34	2 X 17	32	34
-X36	2 X 18	34	36
-X38	2 X 19	36	38
-X40	2 X 20	38	40
-X42	2 X 21	40	42
-X44	2 X 22	42	44
-X46	2 X 23	44	46
-X48	2 X 24	46	48
-X50	2 X 25	48	50

PART NUMBER INFORMATION

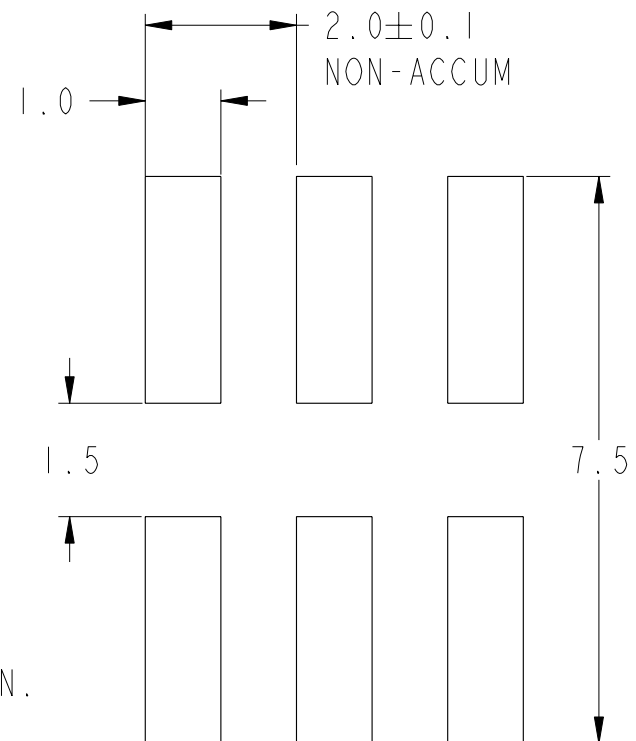
XXXXX-XXXLF



NOTES:

- MATERIAL:
BODY : HIGH TEMPERATURE PLASTIC UL 94V-0 BLACK
PIN : COPPER ALLOY
- TOLERANCE UNLESS OTHERWISE NOTED ± 0.25
- DIM 1.0 ± 0.15 APPLIES TO MOLDED SIDE(S) ONLY. IF SIDE(S) ARE BROKEN, DIM 1.5 MAX APPLIES.
- RECESS APPLIES TO MOLDED SIDE(S) ONLY.
- PACKAGING:
a) STANDARD PACKAGING IN PLASTIC BAG.
b) SPECIFY 94267-XXXT FOR TUBE PACKAGING.
c) SPECIFY 94267-XXXTR FOR TAPE AND REEL PACKAGING.
A PICK-UP CAP IS PROVIDED IN THE CENTRE OF THE PRODUCT (SEE FIG. 1) FOR PICK AND PLACE APPLICATION.
- COPLANARITY OF SOLDER LEADS TO BE WITHIN 0.10mm.
- THE HOUSING WILL WITHSTAND EXPOSURE TO 255°C PEAK TEMPERATURE FOR 10 SECONDS IN A CONVECTION, INFRA-RED OR VAPOR PHASE REFLOW OVEN.
- THIS PRODUCT MEETS EUROPEAN UNION DIRECTIVES AND OTHER COUNTRY REGULATIONS AS DESCRIBED IN GS-22-008.
- A $\triangle C$ SYMBOL WILL BE NEXT TO ANY DIMENSION, VIEW OR NOTE WHICH HAS BEEN MODIFIED WITH THE CURRENT DRAWING REVISION.

PLATING	DESCRIPTION
0	0.2 μ m Au OVER Ni
1	0.76 μ m Au OVER Ni
3	0.38 μ m Au OVER Ni
5	0.38 μ m PdNi W Au FLASH OVER Ni
6	0.76 μ m PdNi W Au FLASH OVER Ni



RECOMMENDED PAD LAYOUT

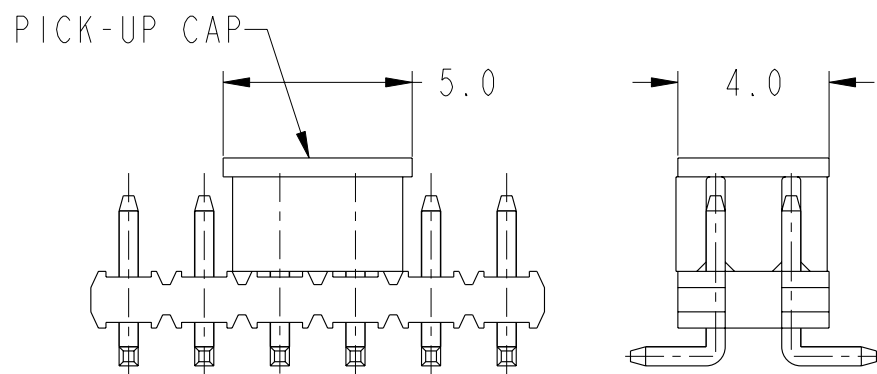


FIG. 1
NOTE 5(c)

www.fciconnect.com		surface <input checked="" type="checkbox"/> ISO 1302	tolerance std ISO 406 ISO 1101	projection	MM
TOLERANCES UNLESS OTHERWISE SPECIFIED					
Dr	ML CHWA	1994-10-24	ANGULAR	0.X	\pm
Eng	BSL	1994-10-27	LINEAR	0.XX	± 0.25
Chr	KH LEE	2010-01-11	0° \pm °	0.XXX	\pm
Appr	JOEY NG	2010-01-11	Product family	MINITEK	Spec ref -
FCI MINITEK II SMT STR HEADER			dwg no	94267	Rev. C
catalog no			CUSTOMER	sheet 2 of 2	

CONFIDENTIAL