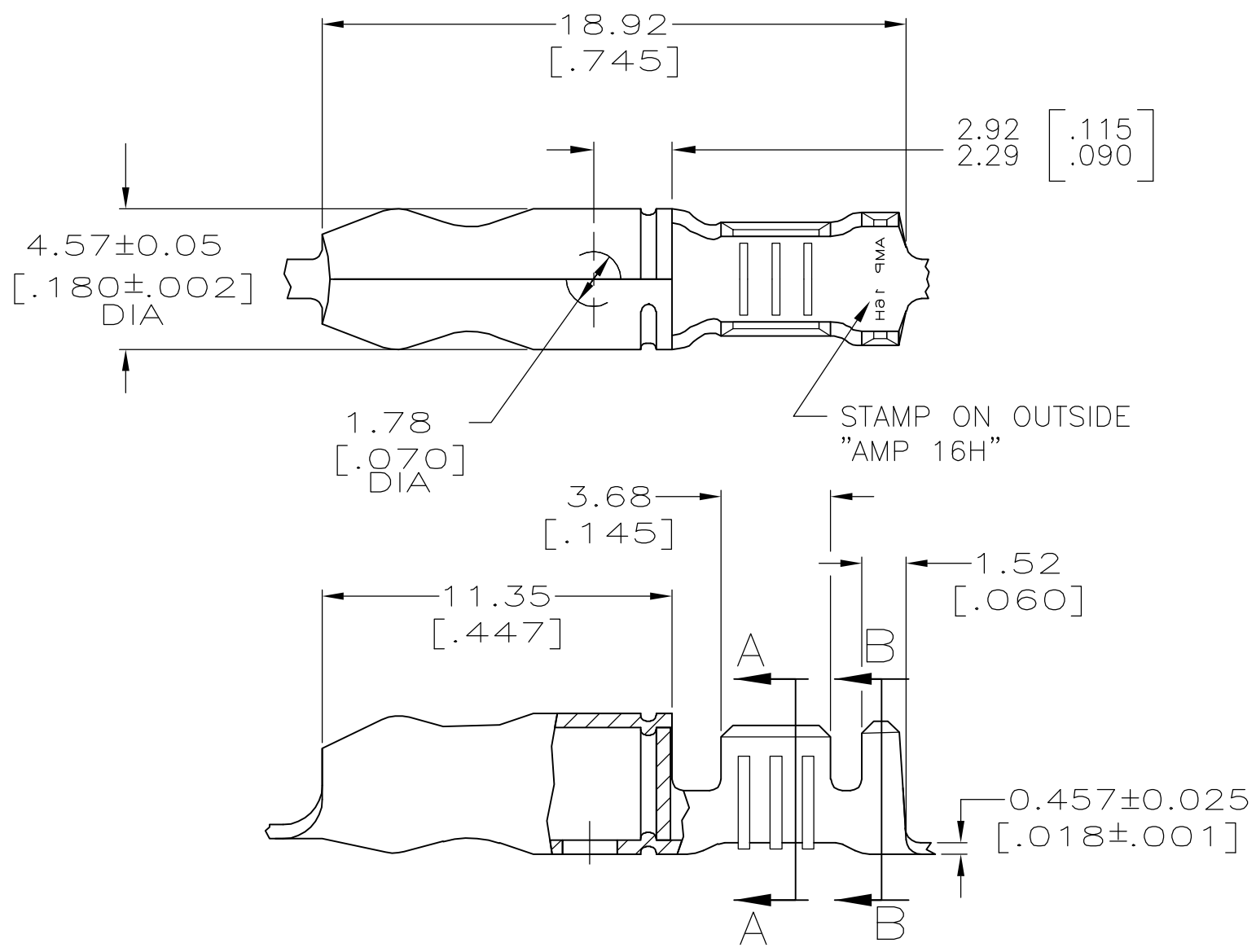
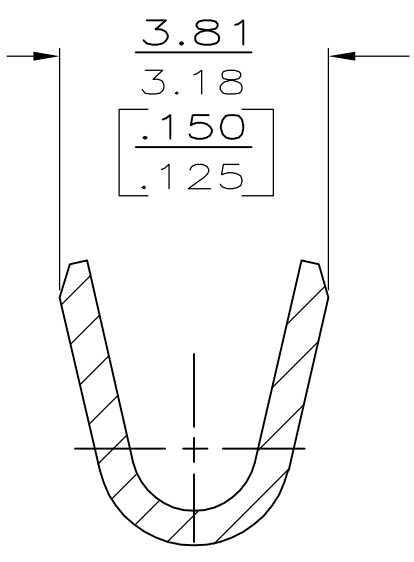


THIS DRAWING IS UNPUBLISHED. RELEASED FOR PUBLICATION  
 © COPYRIGHT BY TYCO ELECTRONICS CORPORATION. ALL RIGHTS RESERVED.

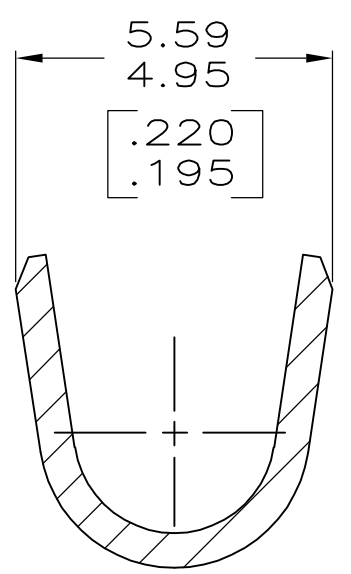
| LOC | DIST | REVISIONS |     |                          |         |     |      |
|-----|------|-----------|-----|--------------------------|---------|-----|------|
| AF  | 50   | P         | LTR | DESCRIPTION              | DATE    | DWN | APVD |
|     |      |           | N1  | REVISED PER ECR-06028057 | 03JAN07 | MF  | DD   |



- 1 CONTINUOUS STRIP ON REEL.
- △ 2 0.02032 [.000080] MIN TIN PLATE.
- 3 WIRE RANGE: #18-#14 AWG.
- 4 INSULATION RANGE: 3.05-4.45 [.120-.175] DIA.



SECTION A-A  
SCALE 10:1



SECTION B-B  
SCALE 10:1

THIS DRAWING IS A CONTROLLED DOCUMENT.

|                            |  |
|----------------------------|--|
| DIMENSIONS:<br>mm [INCHES] | TOLERANCES UNLESS OTHERWISE SPECIFIED: |
|                            | 0 PLC ± -                              |
|                            | 1 PLC ± -                              |
|                            | 2 PLC ± 0.25 [.010]                    |
|                            | 3 PLC ± -                              |
|                            | 4 PLC ± -                              |
|                            | ANGLES ± -                             |
| MATERIAL<br>SEE TABLE      | FINISH<br>SEE TABLE                    |

|                                       |   |              |
|---------------------------------------|---|--------------|
| -                                     | 081 BRASS   | 60660-2      |
| △ 2                                   | 081 BRASS   | 60660-1      |
| FINISH                                | MATERIAL  | PART NUMBER  |
| DWN<br>MICHAEL S. FEHER<br>03JAN2007  | Tyco Electronics Corporation<br>Harrisburg, Pa 17105-3608 |              |
| CHK<br>DONALD F. DECKER<br>03JAN2007  | NAME<br>SHUR PLUG, 4.57 [.180] DIA                        |              |
| APVD<br>DONALD F. DECKER<br>03JAN2007 | PRODUCT SPEC  | -            |
| APPLICATION SPEC                      | SIZE  | CAGE CODE    |
| WEIGHT                                | -   | DRAWING NO   |
| CUSTOMER DRAWING                      | A3  | 00779        |
| SCALE                                 | 5:1   | SHEET 1 OF 1 |
| RESTRICTED TO                         | -   | REV N1       |