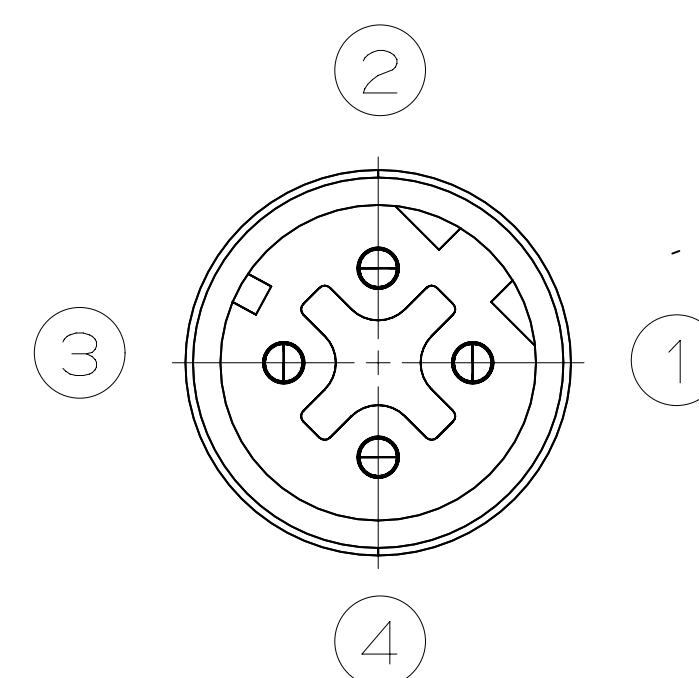
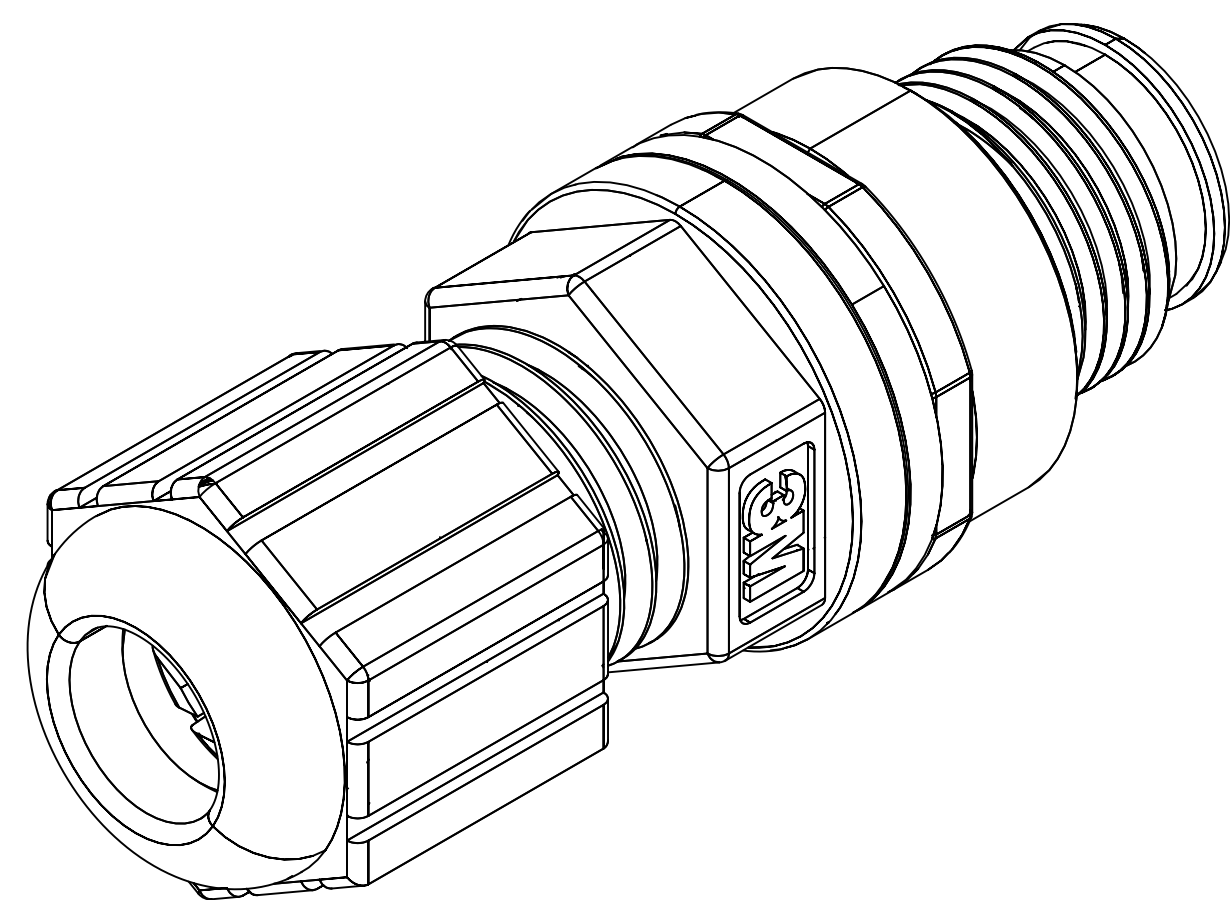
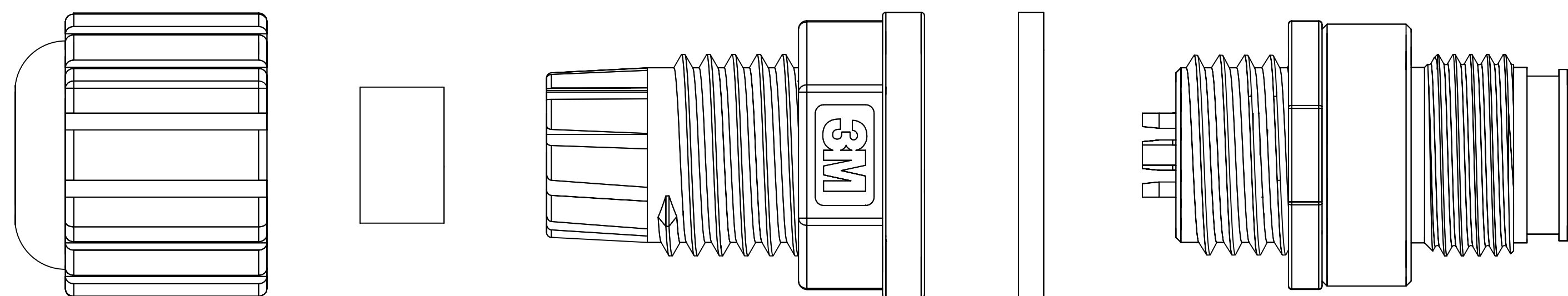
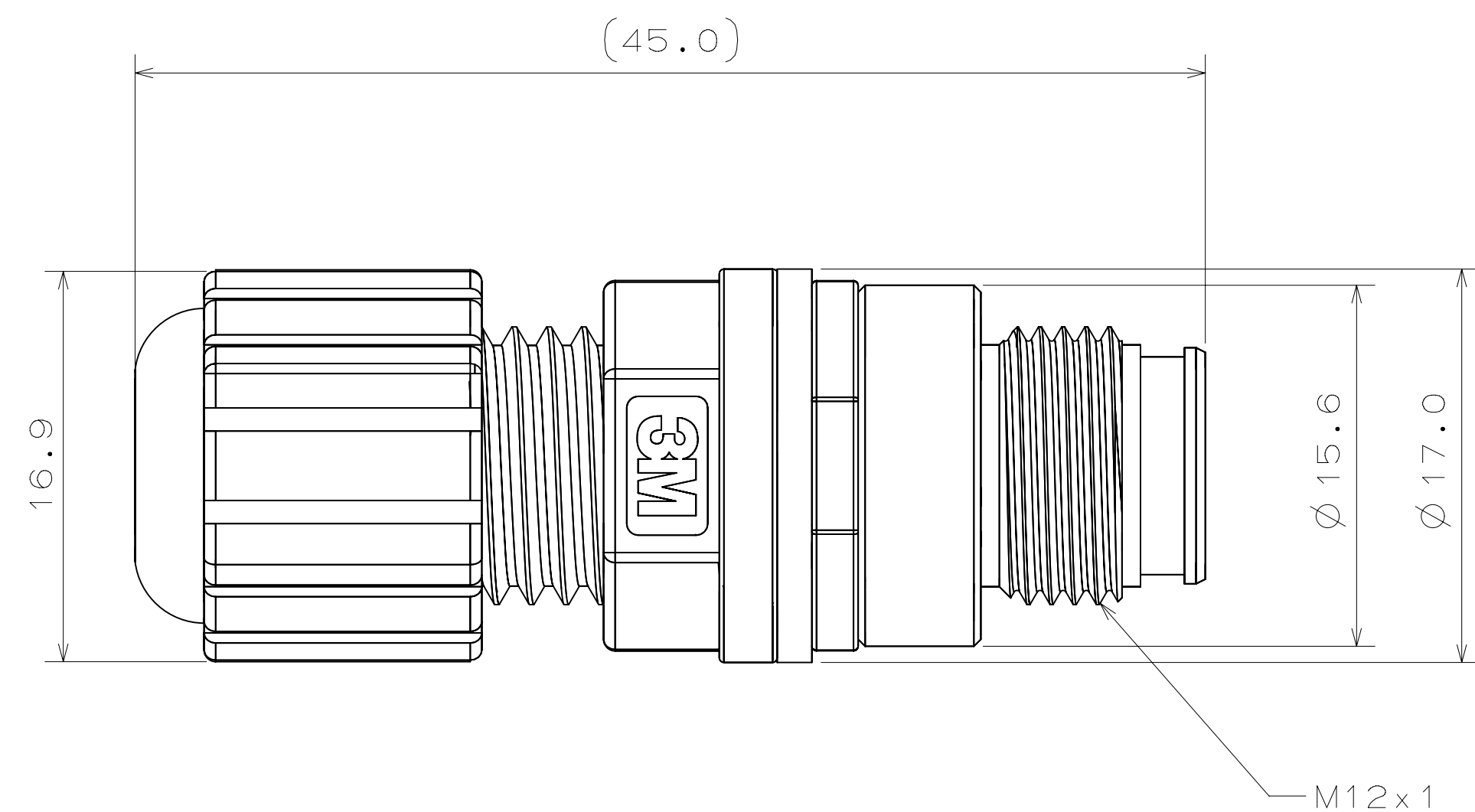


# 3M™ INDUSTRIAL M12 WM CONNECTOR

FOR 4POS, D-CODE, MALE, SOLDER TYPE



Pin Assignment

## PERFORMANCE

1) MECHANICAL  
POLARIZING METHOD: 35N MIN.  
  
CONTACT INSERTION FORCE: 10N/pin MAX.  
CONTACT WITHDRAWL FORCE: 15N/pin MAX.  
  
WATERPROOF: IP68 (IN WATER 1mm DEPTH, 24H)

2) ELECTRICAL  
CURRENT RATING: 4.0A  
  
VOLTAGE RATING: 250VDC  
  
WITHSTANDING VOLTAGE: 1000VACrms  
  
INSULATION RESISTANCE:  $1 \times 10^9$  OHMS at 500VDC

CONTACT RESISTANCE:  
10 MILLI OHM AT INITIAL CONDITION  
DELTA R 15 MILLI OHM MAX. AFTER  
EVALUATION TEST BASED ON 78-5102-0150-8

3) ENVIRONMENTAL  
TEMPERATURE RATING: -25°C TO 85°C

NOTE  
FOR LOW TEMPERATURE LIMIT:  
EXCLUDING CABLE PERFORMANCE, NO DEW CONDITION  
FOR HIGH TEMPERATURE LIMIT:  
INCLUDING TEMPERATURE RAISING BY CURRENT

## NOTES

- 1 MATERIAL:  
BODY: THERMOPLASTIC, UL 94V0  
COVER: THERMOPLASTIC, UL 94V0  
GLAND NUT:  
THERMOPLASTIC, UL 94V0  
CONTACT: COPPER ALLOY
- 2 PLATING  
CONTACT AREA: 0.2µm GOLD MIN.
- 3 MATED WITH INDUSTRIAL M12 FEMALE CONNECTOR
- 4 COMPATIBLE CABLE:  
1) WIRE  
AWG 20 STRANDED  
AWG 24 STRANDED  
2) CABLE OUTER DIAMETER  
4.0 to 6.5mm
- 5 RoHS COMPLIANT.  
SEE THE REGULATORY INFORMATION APPENDIX (RIA) IN THE "RoHS COMPLIANCE" SECTION OF WWW.3MCONNECTORS.COM FOR COMPLIANCE INFORMATION (RIA E1 & C1 APPLY).
- 6 FOR PRODUCT SPECIFICATIONS AND WARRANTY INFORMATION SEE 3M 78-5102-0150-8
- 7 IN THE EVENT OF CONFLICT BETWEEN THIS DATA AND THAT CONTAINED IN THE PRODUCT SPECIFICATION, THE PRODUCT SPECIFICATION TAKES PRECEDENT.

## ORDERING INFORMATION M12 WM CONNECTOR

**3N1 04-D000-S08 BF**

PRODUCTION SERIES  
3N1: INDUSTRIAL M12 WM MALE CONNECTOR

PLATING SUFFIX  
BF: CONTACT AREA 0.2µm GOLD

CONTACT QUANTITY  
04: 4 PIN

IP CLASS  
8: IP68

CODE  
D: D CODE

WIRING METHOD  
S: SOLDER TYPE

3M™ ELECTRONIC SOLUTIONS DIVISION  
INTERCONNECT SOLUTIONS  
VISIT <http://www.3mconnectors.com>

3M IS A TRADEMARK OF 3M COMPANY.  
FOR TECHNICAL, SALES OR ORDERING INFORMATION  
CALL YOUR LOCAL SALES REPRESENTATIVE

DESIGN REFERENCE	NEXT ASSEMBLY	REV	ECO	ISSUE DATE AND DESCRIPTION	DRFT	CHKD
				SEP 06, 2012	T.O	H.K
				PRODUCTION RELEASE		
DATE	DATE	DATE	DATE	DATE	DATE	DATE
SEP 06, 2012	SEP 06, 2012	SEP 06, 2012	SEP 06, 2012	SEP 06, 2012	SEP 06, 2012	SEP 06, 2012
CHKD	CHKD	APPV	DATE	DATE	DATE	DATE
		H.KOSUGI	SEP 06, 2012	SEP 06, 2012	SEP 06, 2012	SEP 06, 2012
DIVISION		DIVISION CODE		DATE		
Interconnect Solutions		ISD		DATE		
DO NOT SCALE DRAWING	SCALE	TOLERANCES EXCEPT AS NOTED		DATE		
		INCHES		DATE		
		MILLIMETERS		DATE		
		0 ±		DATE		
		.00 ±		DATE		
		.000 ±		DATE		
		.0000 ±		DATE		
THIRD ANGLE PROJECTION		MILLIMETERS		DATE		
		0 ±		DATE		
		.00 ±		DATE		
		.00 ± .13		DATE		
		.000 ±		DATE		
		ANGLES		DATE		
		MARKED ONLY		DATE		

3M	3M Center St. Paul, MN 55144	© 3M COPYRIGHT 2012 This document and the information it contains are 3M property and may not be reproduced or further distributed without 3M permission, or used or disclosed other than for 3M authorized purposes. All rights reserved.	
TITLE		INDUSTRIAL M12 WIRE MOUNT, FOR D-CODE, MALE, SOLDER TYPE	
CAGE NUMBER	SIZE	DRAWING NO.	REV.
D		78-5100-2557-6	A
MODEL	SHT 1 OF 1		