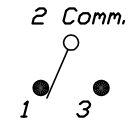
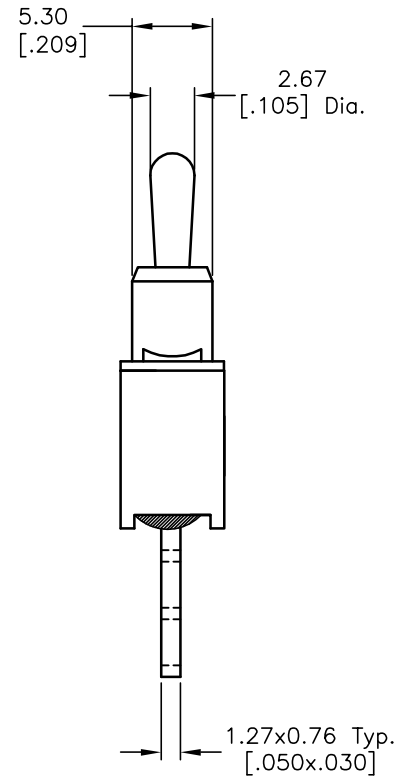
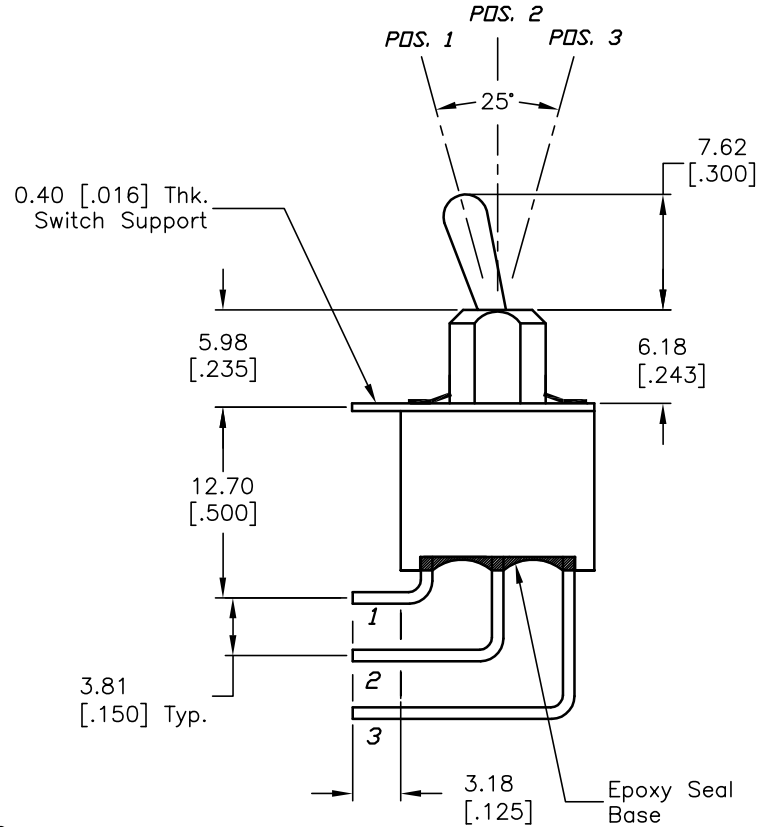


RECOMMEND P.C.B. LAYOUT



CIRCUIT: SPDT
CONTACT CONFIGURATION

SWITCH FUNCTION		
PDS. 1	PDS. 2	PDS. 3
ON	NONE	ON
2-3	OPEN	2-1

NOTES:

1. ALL DIMENSIONS IN MM [INCH]
2. GENERAL TOLERANCE: 0.0=±0.4
0.00=±0.25
3. TERM. NOS. FOR REF. ONLY.
4. RATING: 5A @120VAC or 28VDC; 2A @250VAC.

B	14181	3.18 WAS 4.50	7/21/04	AR
A	10317	RELEASED FOR PRODUCTION		
REV.	ECN No.	DESCRIPTION	DATE	CHKD

THE INFORMATION CONTAINED IN THIS DOCUMENT IS PROPRIETARY TO E-SWITCH AND IS NOT TO BE COPIED OR TRANSFERRED

E-SWITCH®

TITLE
100AWSP1T2B4M7QE

SCALE 2:1	DATE 8/16/99	DR MM	DWG T101004	REV B
--------------	-----------------	----------	----------------	----------