

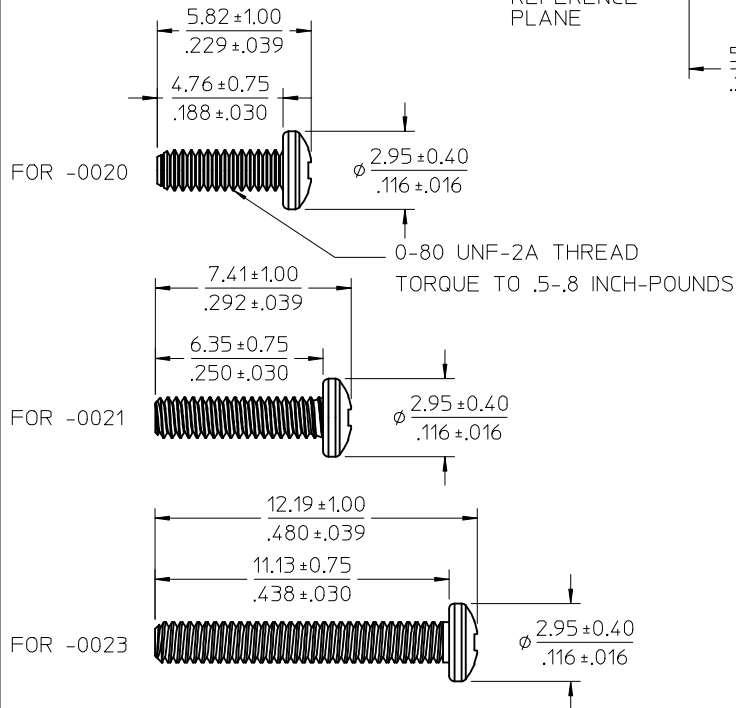
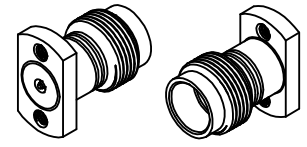
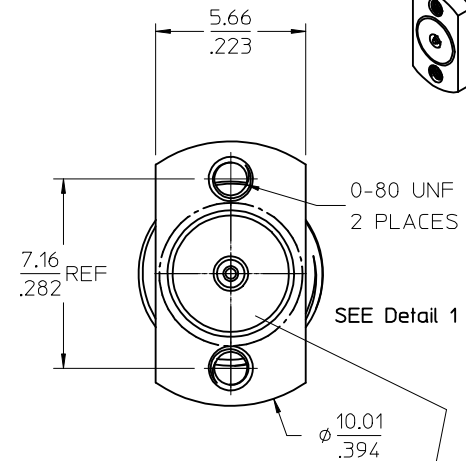
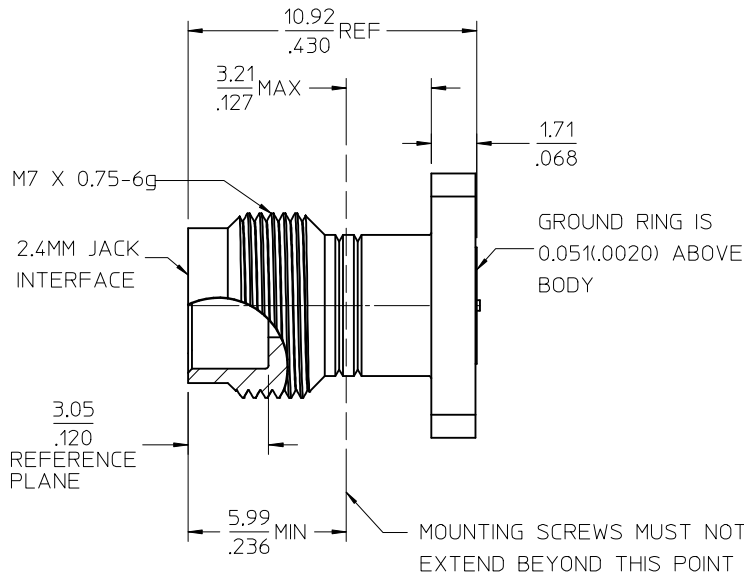
MATERIALS AND FINISHES:

BODY: STAINLESS STEEL
PASSIVATE

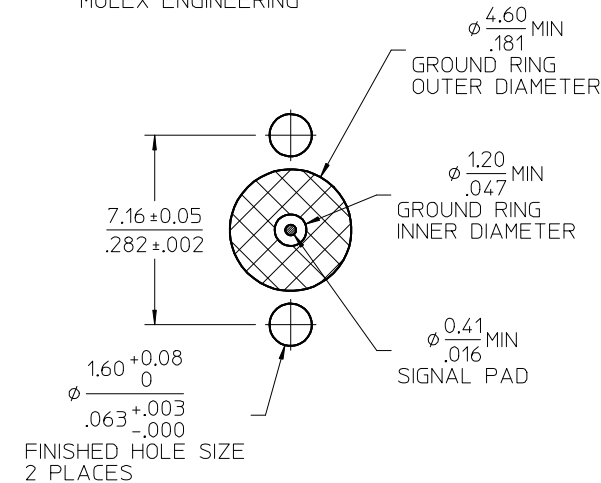
CENTER CONTACT: BERYLLIUM COPPER
PLATED: GOLD (30μ-in) MIN
OVER NICKEL (100μ-in) MIN.

INSULATOR: PTFE

SCREW: STEEL
PASSIVATE
SEE AS-89675-446 FOR INSTRUCTIONS ON
MOUNTING CONNECTOR ON A PCB



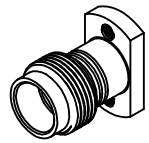
GENERAL PCB LAYOUT RECOMMENDATIONS
FOR OPTIMIZED LAYOUTS, CONTACT
MOLEX ENGINEERING



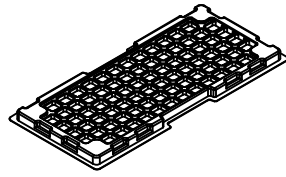
73387-0023	WITH TWO 11.1/438 SCREWS	6.40(.252) TO 8.94(.352)
73387-0022	SCREWS NOT INCLUDED	N/A
73387-0021	WITH TWO 6.35/.25 SCREWS	1.96(.077) TO 3.99(.157)
73387-0020	WITH TWO 4.76/.19 SCREWS	0.56(.022) TO 2.54(.100)
PART NO.	DESCRIPTION	PCB THICKNESS

MIL-STD-348B, FIG 72	INTERFACE
SPECIFICATION	DESCRIPTION

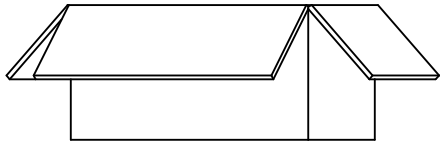
CHG: DRW VIEW UPD. ADD GEN TOL VALUE & DIA FOR C'SINK HOLES ON BODY. EC NO: URF2016-0157 DRWIN:APRAKASHU1 2015/09/02 CHKD:LLM 2015/09/02 APPR:AROBERTSON 2015/09/15 D5 REV	QUALITY SYMBOLS ▽=0 ▽=0	GENERAL TOLERANCES (UNLESS SPECIFIED) mm INCH 4 PLACES ± --- ± --- 3 PLACES ± --- ± 0.010 2 PLACES ± 0.25 ± --- 1 PLACE ± --- ± --- ANGULAR ± 2 °	DIMENSION STYLE MM/IN DRAWN BY DATE JLEE02 2010/04/20 CHECKED BY DATE SSS 2010/04/20 APPROVED BY DATE JW IENER 2010/10/27	SCALE DESIGN UNITS METRIC THIRD ANGLE PROJECTION	TITLE 2.4MM JACK VERTICAL PCB 50 OHM, COMPRESSION EWR-4172, 2.4MM-JR/PCB	
	DRAFT WHERE APPLICABLE MUST REMAIN WITHIN DIMENSIONS		MATERIAL NO. SEE TABLE	DOCUMENT NO. SD-73387-002	SHEET NO. 1 OF 1	
	THIS DRAWING CONTAINS INFORMATION THAT IS PROPRIETARY TO MOLEX INCORPORATED AND SHOULD NOT BE USED WITHOUT WRITTEN PERMISSION					
	MOLEX MOLEX INCORPORATED					



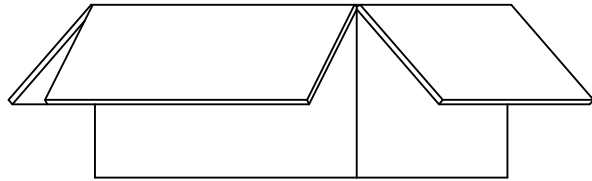
P/N 73387-0021



80 SETS PER TRAY
TRAY P/N 89707-0190



1360 SETS PER INNER
CARTON BOX
P/N 96707-0001



2720 SETS PER OUTER
CARTON BOX
P/N 96708-0005

RTM PER RF15-E273
EC NO: URF2016-0085
DRWN:CWE102 2015/08/06
CHKD:
APPR:YCHENG 2015/08/12

REV	DESCRIPTION
A	

QUALITY SYMBOLS		

GENERAL TOLERANCES (UNLESS SPECIFIED)	
	MM/IN
4 PLACES	± --- ± ---
3 PLACES	± --- ± ---
2 PLACES	± --- ± ---
1 PLACE	± --- ± ---
0 PLACE	± --- ± ---
ANGULAR ± 2 °	
DRAFT WHERE APPLICABLE MUST REMAIN WITHIN DIMENSIONS	

DIMENSION STYLE		SCALE	DESIGN UNITS	THIRD ANGLE PROJECTION
MM/IN			METRIC	
DRAWN BY	DATE	TITLE	PACKAGING FOR 73387-0021 molex DOCUMENT NO. SD-73387-002-PKG SHEET NO. 1 OF 1	
CHECKED BY	DATE			
APPROVED BY	DATE			
MATERIAL NO.	DATE			