

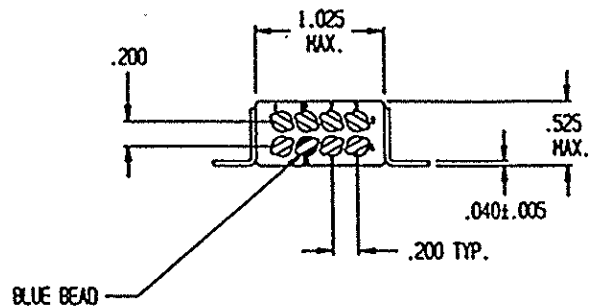
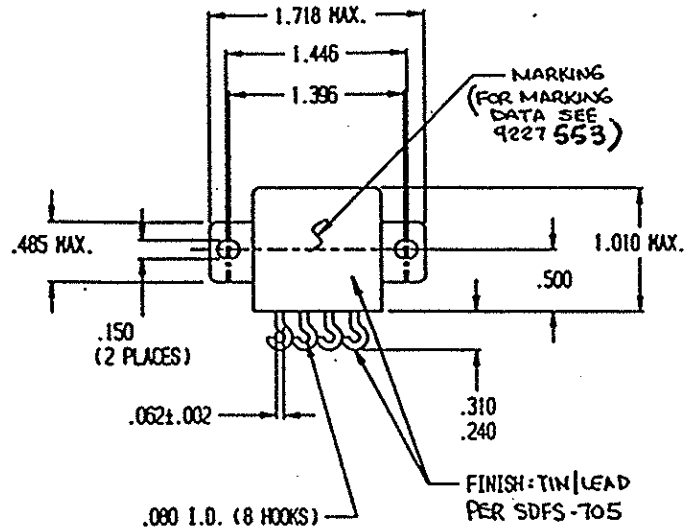
MSD INC.

ENGINEERING DATA SHEET

RELAY TYPE: FCA-210-1026M	COMPUTER PART No.: 9227553	TEST PROCEDURE
CUSTOMER/SPECIFICATION: M83536/10-026	REV NONE	MSDP-790

TEST REQUIREMENTS

$\pm 10\%$
 COIL RES.: 320 OHMS OPERATE TIME: 10mS MAX RELEASE TIME: 10mS MAX
 CONTACT MAKE BOUNCE: 1mS MAX N.O. BREAK BOUNCE: 0.1mS MAX
 CONTACT STABILIZATION TIME: 2.5 mS MAX RATED COIL VOLTAGE: 28Vdc
 CONTACT RES.: MFG TEST: 8 Milliohms @ 10mA FINAL TEST: 10 Milliohms @ 10mA
 CONTACT VOLTAGE DROP: FINAL TEST: 100mV @ 10A-6 Vdc
 HI-POT: 1250 Vrms ALL POINTS, EXCEPT 1000 Vrms COIL TO CASE
 INSULATION RESISTANCE: 100 MEGOHMS MIN @ 500 Vdc
 VIBRATION: MIL-STD-202, METHOD 204 (30 G's / 100-3000Hz)
 SEAL TEST: 1×10^{-8} MAX LEAK RATE COIL TRANSIENT SUPPRESSION: 42 Vdc MAX
 OTHER: _____



Prepared By: Date		Approved By: Date	
LES WYNNE 3-15-96		<i>[Signature]</i> 3-19-96	
Rev	ECN No.	Date	
A	96-065	3-15-96	

SPECIAL INSTRUCTIONS