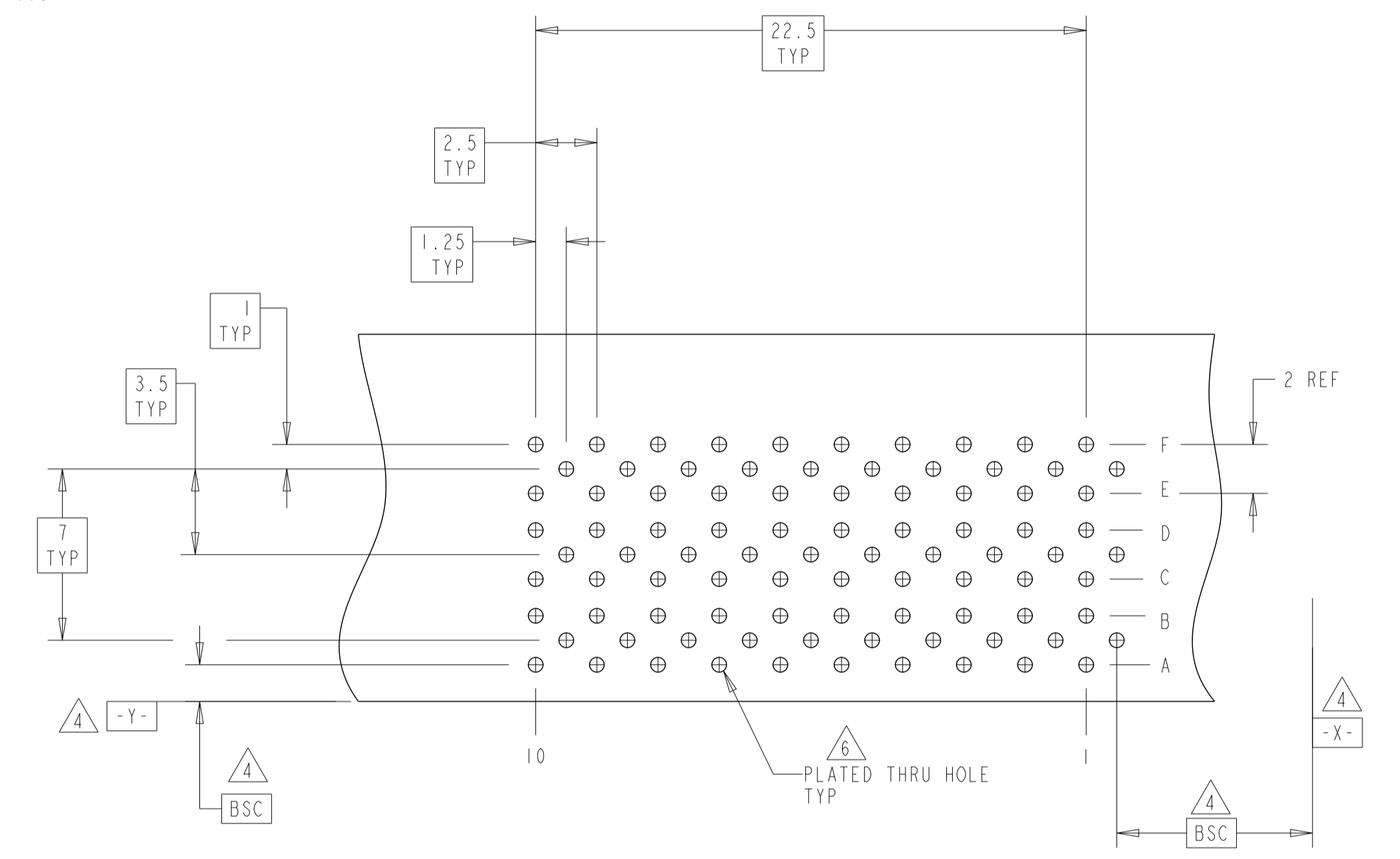
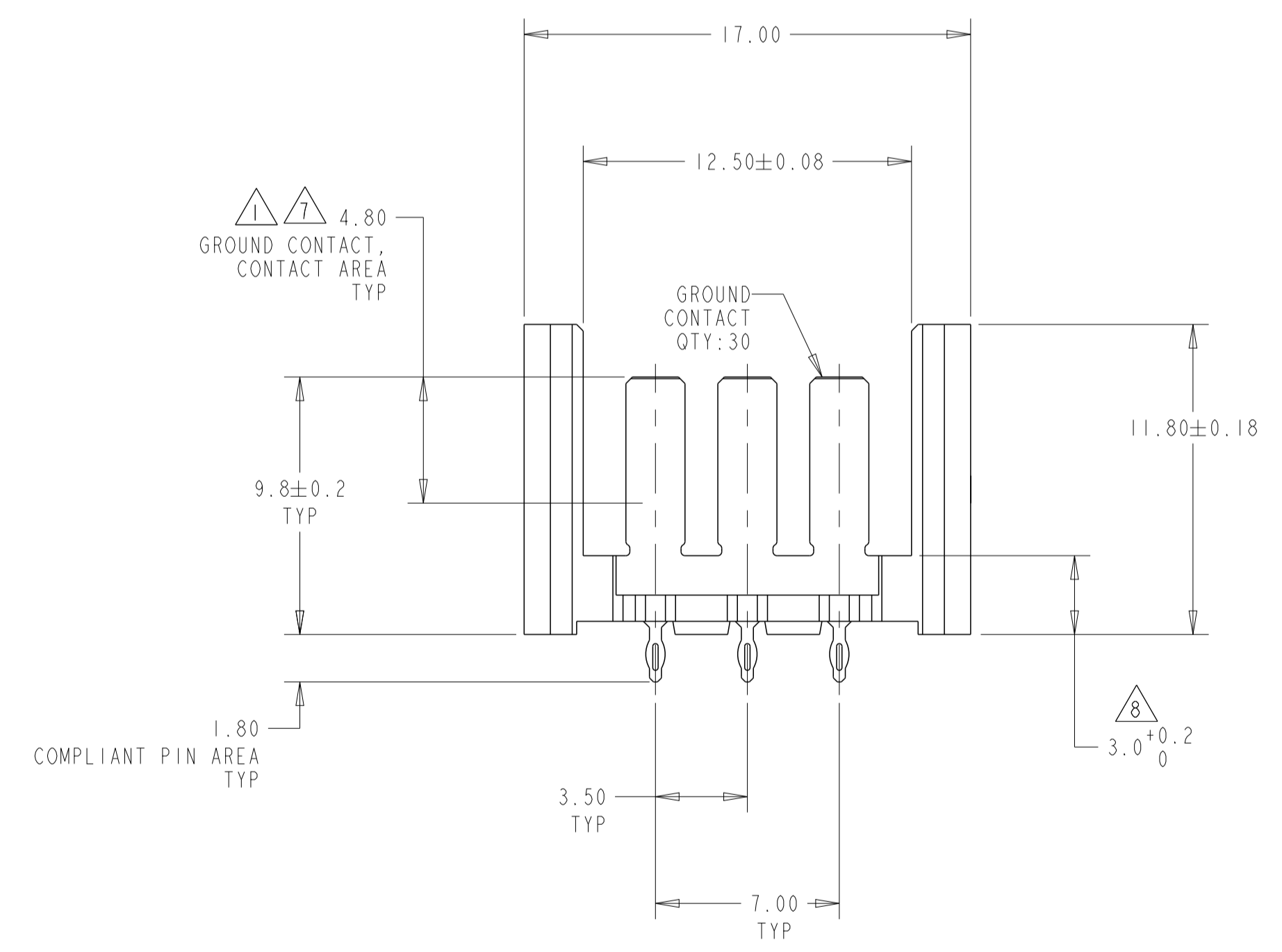
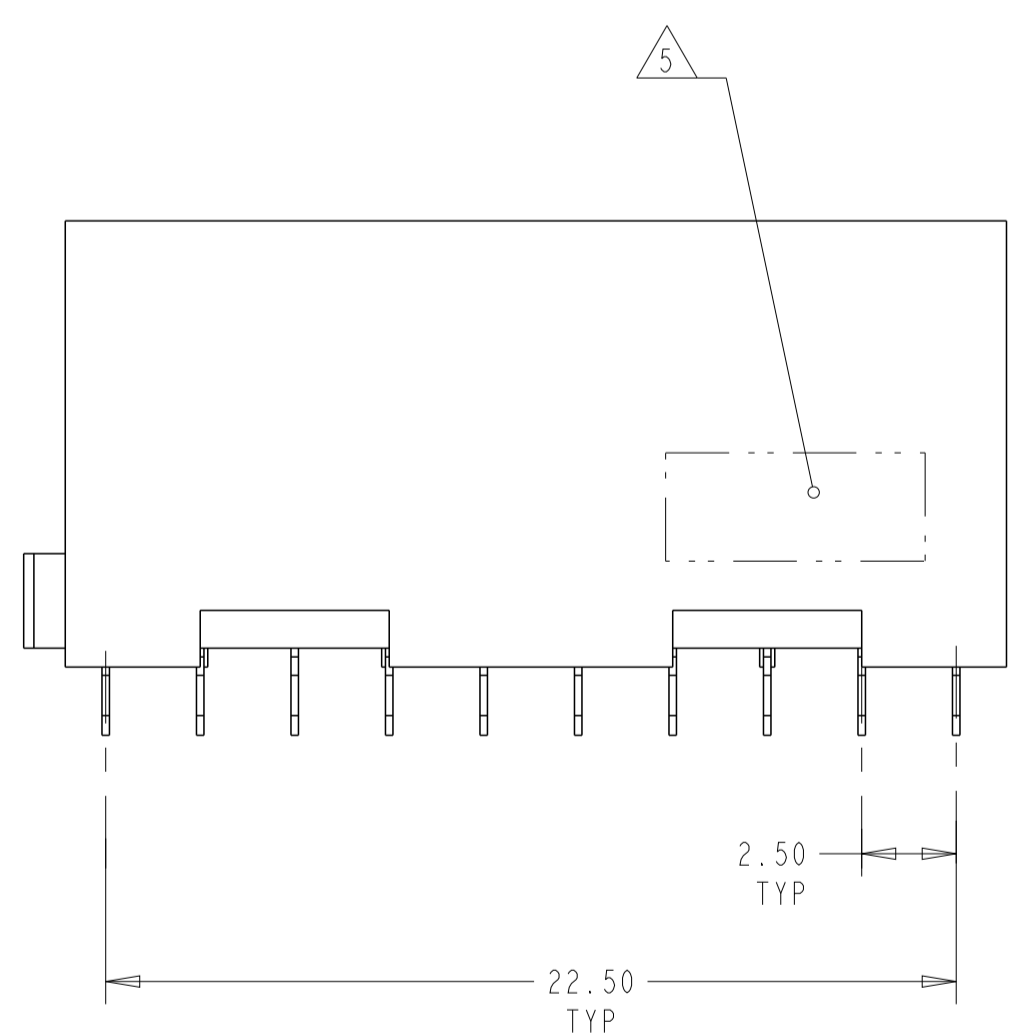
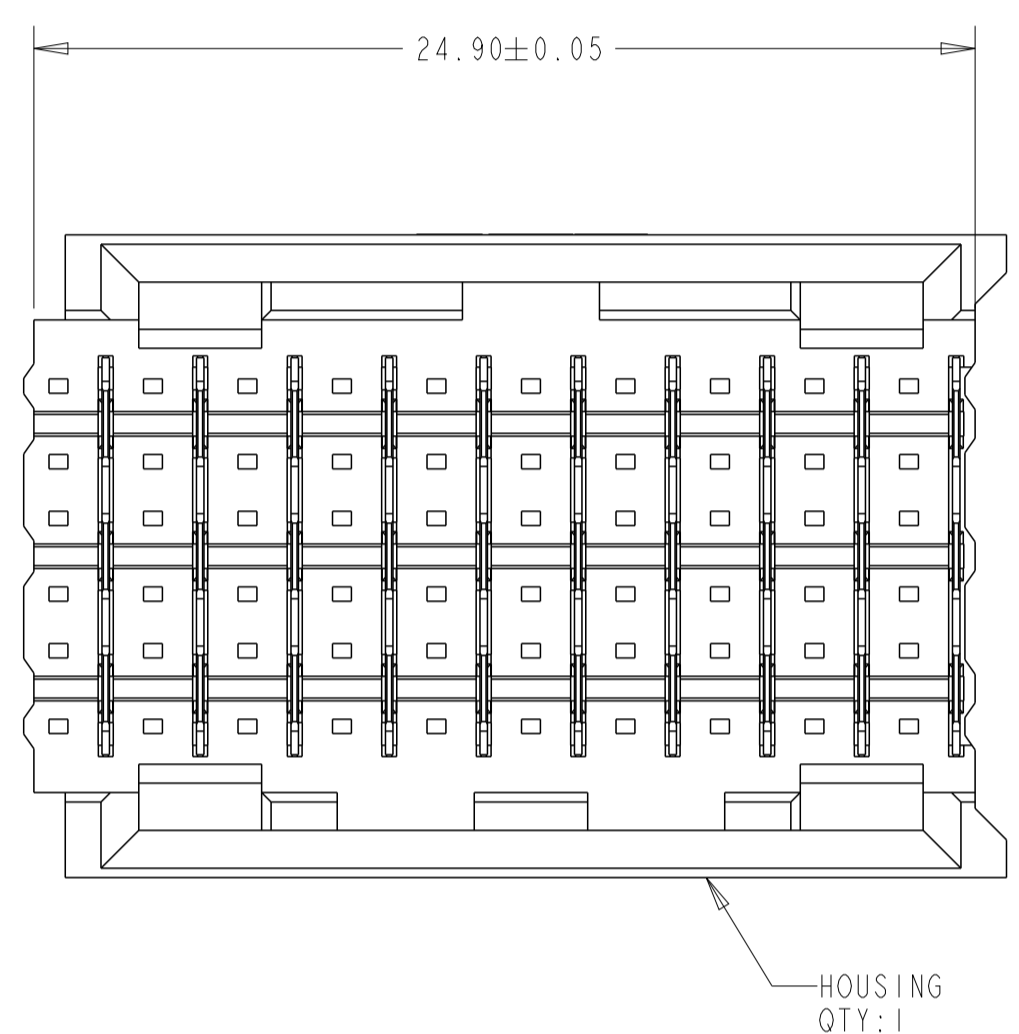


LOC		DIST		REVISIONS			
P	LTN	DESCRIPTION	DATE	DWN	APVD		
A		REVISED PER ECO-12-017504	08OCT2012	KH	JE		

- 1 FINISH: CONTACT MATING AREA MEETS THE PERFORMANCE REQUIREMENTS OF TE CONNECTIVITY PRODUCT SPECIFICATION 108-1957; BASED ON TELCORDIA GR-1217-CORE, APPLICATIONS IN UNCONTROLLED ENVIRONMENTS. COMPLIANT PIN AREA: 0.5µm MIN MATTE TIN OVER BASE PLATING.
- 2 PHOSPHOR BRONZE
- 3 GLASS FILLED POLYESTER
- 4 DATUMS AND BASIC DIMENSIONS ESTABLISHED BY CUSTOMER
- 5 CONNECTOR MARKED WITH PART NUMBER AND DATE CODE
- 6 REFERENCE APPLICATION SPEC 114-13020 FOR RECOMMENDED PLATED THRU HOLE DIAMETER AND PLATING THICKNESS.
- 7 CONTACT AREA LUBRICATED WITH BELLCORE APPROVED LUBRICANT TECHNICAL REFERENCE: GR-1217-CORE, ISSUE 1, NOVEMBER 1995
- 8 APPLICATION SEATING HEIGHT TO PRINTED CIRCUIT BOARD



RECOMMENDED
 PRINTED CIRCUIT BOARD
 LAYOUT
 COMPONENT SIDE OF PRINTED CIRCUIT BOARD

5120682-1
 PART NUMBER

THIS DRAWING IS A CONTROLLED DOCUMENT.		DWN B. CARBO 07DEC04	TE Connectivity NAME SHROUD ASSEMBLY, 60 POSITION, 6 ROW, BACKPLANE CONNECTOR, Z-PACK HS3 PRODUCT SPEC APPLICATION SPEC SIZE CAGE CODE DRAWING NO RESTRICTED TO A1 00779 C=5120682 WEIGHT CUSTOMER DRAWING
DIMENSIONS:		CHK R. PATTERSON 07DEC04	
mm		APVD R. PATTERSON 07DEC04	
0 PLC ± 1 PLC ± 2 PLC ±0.13 3 PLC ± 4 PLC ± ANGLES ± FINISH ±		TOLERANCES UNLESS OTHERWISE SPECIFIED: 0 PLC ± 1 PLC ± 2 PLC ±0.13 3 PLC ± 4 PLC ± ANGLES ± FINISH ±	
MATERIAL HOUSING: 3 CONTACTS: 2		GROUND CONTACT: 1	SCALE 5:1 SHEET 1 OF 1 REV A