

4

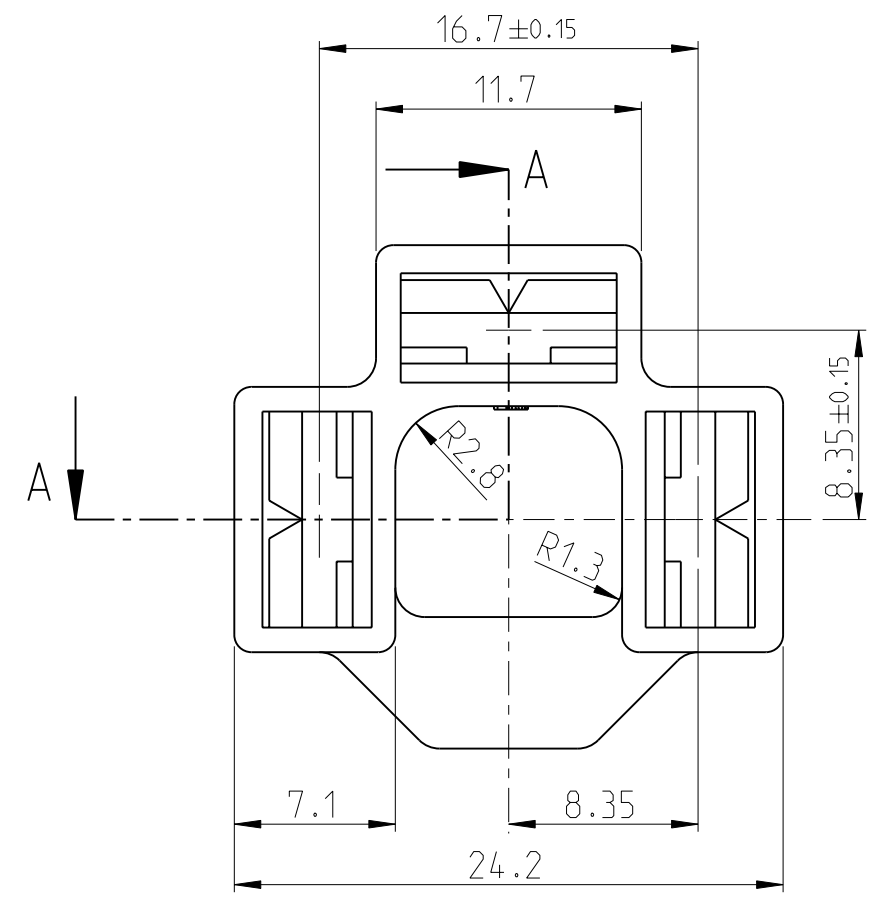
3

2

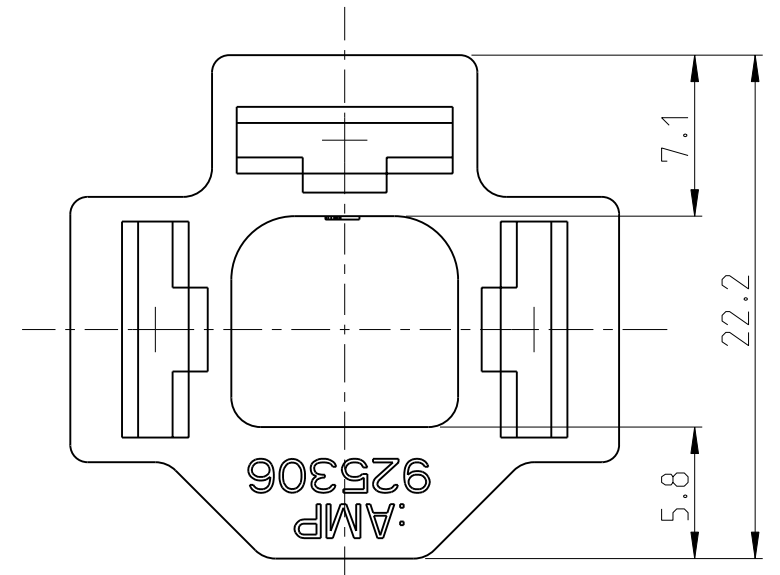
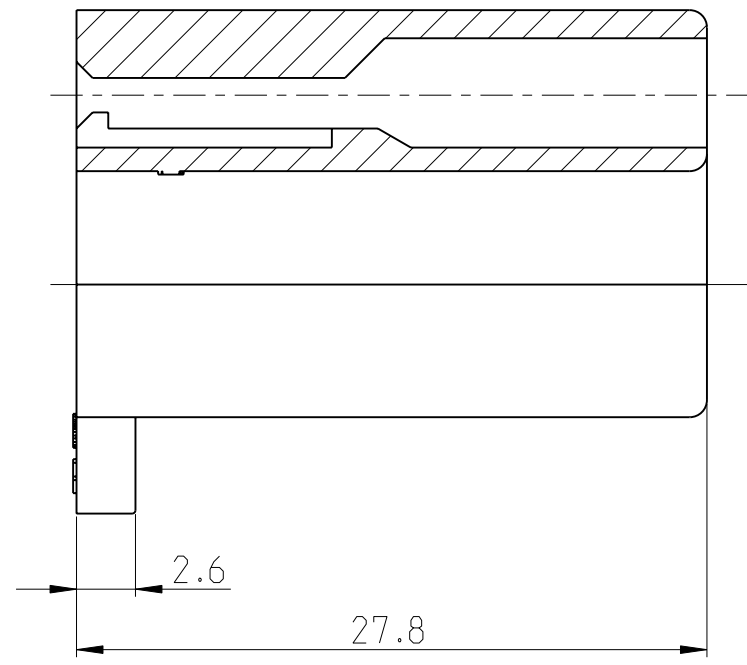
1

THIS DRAWING IS UNPUBLISHED. RELEASED FOR PUBLICATION 2011  
 © COPYRIGHT 2011 ALL RIGHTS RESERVED.

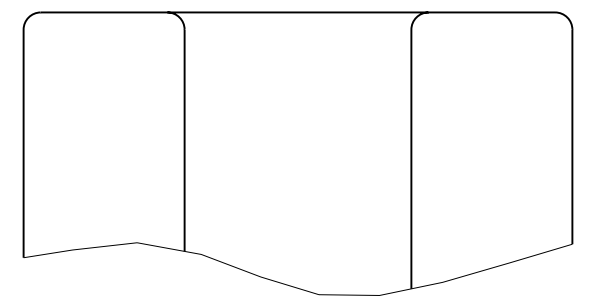
LOC	DIST	REVISIONS			
P	LTR	DESCRIPTION	DATE	DWN	APVD
	D3	REDRAWN IN CAD AND PITCH TOLERANCE INCREASED	04JAN2012	PKS	RRP



A-A




X ↑



VIEW X

D	925306-3	PA 66	BLACK
D	925306-2	PA 66	NATURAL
REV	P/N	MATERIAL	FINISH

THIS DRAWING IS A CONTROLLED DOCUMENT.		DWN	SENTHIL	09DEC2011	 TE Connectivity		
DIMENSIONS: mm		CHK	SENTHIL	09DEC2011			
TOLERANCES UNLESS OTHERWISE SPECIFIED:		APVD	RAJENRDA	12DEC2011			
0 PLC ±0.2 1 PLC ±0.2 2 PLC ±0.2 3 PLC ± 4 PLC ± ANGLES ±1°		PRODUCT SPEC		NAME			
MATERIAL SEE TABLE		FINISH SEE TABLE		3 POL. FASTIN-FASTON STECKHUELSENGEHAUSE SERIE 8.0			
		WEIGHT -		SIZE A3	CAGE CODE 00779	DRAWING NO. ©-925306	RESTRICTED TO -
CUSTOMER DRAWING				SCALE 3:1	SHEET 1 OF 1	REV D3	