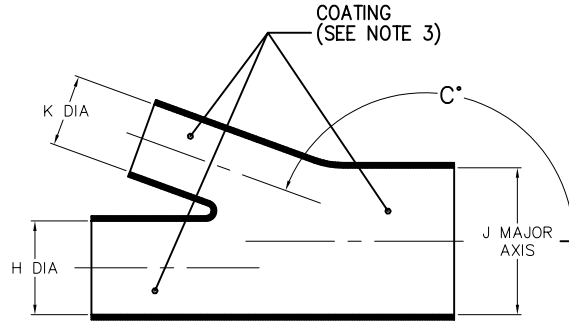


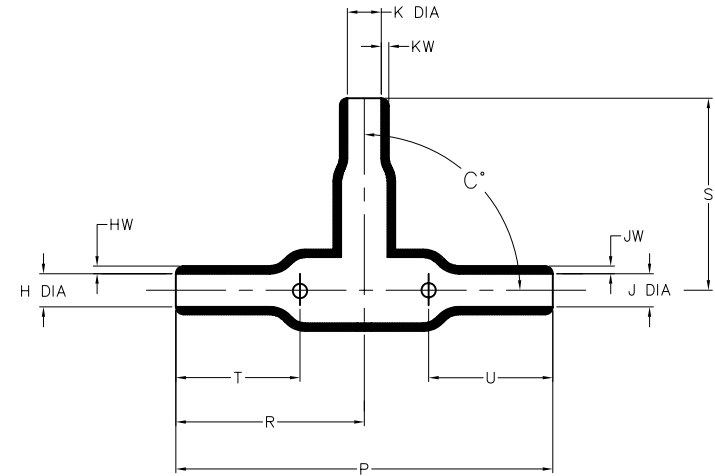
NOTES

- ALL DIMENSIONS ARE IN $\frac{\text{INCHES}}{\text{[MILLIMETERS]}}$
- DIMENSIONS APPEARING IN TABLE ARE AS FOLLOWS:
 - a - AS SUPPLIED
 - b - AFTER UNRESTRICTED RECOVERY
- COATING (ADHESIVE) IS OPTIONAL. AS SUPPLIED DIMENSIONS APPEARING IN TABLE ARE FOR UNCOATED PARTS. WHEN COATING IS ADDED, ENTRY DIAMETERS WILL BE REDUCED BY .06 MAX. IF COATING IS ADDED, COATING SLASH NUMBER SHALL BE ADDED TO THE END OF PART DESCRIPTION AS SHOWN BELOW. EX: 322A412-25-04/225



AS SUPPLIED

REVISIONS		
LTR	DESCRIPTION	DATE
A	ECO-07-029405	12/11/2007



AFTER UNRESTRICTED RECOVERY

TABLE OF DIMENSIONS

PART DESCRIPTION	H		J		K		P	R	S	T	U	HW&JW	KW	C°	
	MIN	MAX	MIN	MAX	MIN	MAX	±10%	±10%	±10%	±10%	±10%	±20%	±20%	±10%	±5%
	a	b	a	b	a	b	b	b	b	b	b	b	b	a	b
322A412-25-04	$\frac{.70}{[17,7]}$	$\frac{.35}{[8,9]}$	$\frac{.90}{[22,9]}$	$\frac{.35}{[8,9]}$	$\frac{.40}{[10,1]}$	$\frac{.20}{[5,1]}$	$\frac{1.87}{[47,5]}$	$\frac{.93}{[23,6]}$	$\frac{.93}{[23,6]}$	$\frac{.75}{[19,1]}$	$\frac{.78}{[19,8]}$	$\frac{.059}{[1,50]}$	$\frac{.04}{[1,02]}$	165	90

If this document is printed it becomes uncontrolled. Check for the latest revision

CUSTOMER DRAWING

COMPATIBILITY CHART

MATERIAL DASH NO.	MATERIAL DESCRIPTION	RT SPEC	COATING SLASH NO.	COATING S NO.
-25	ELASTOMER, FLUID RESISTANT	RT-1325	/86, /225	S-1048, S-1206

UNLESS OTHERWISE SPECIFIED DIMENSIONS ARE INCHES. METRIC DIMENSIONS ARE IN BRACKETS.

DECIMAL TOLERANCES
 .XXX ± 0.005 [0.13 mm]
 .XX ± 0.01 [0.25 mm]
 .X ± 0.1 [0.50 mm]

ANGLE TOLERANCE
 .X ± 1 DEG.

DRAWN: UNGUYEN
 DATE: 11/08/2007
 RPN: []

THIRD ANGLE PROJECTION

© 2007 Tyco Electronics Corporation. All rights reserved.

Tyco Electronics
 Raychem Molded Parts
 305 Constitution Dr
 Menlo Park, CA 94025

TITLE: TRANSITION, 90 DEGREE, SIDE BREAKOUT, THINWALL

SIZE: B
 CODE IDENT. NO.: 06090
 DWG. NO.: 322A412-25-04

DO NOT SCALE THIS DRAWING
 SHEET 1 OF 1