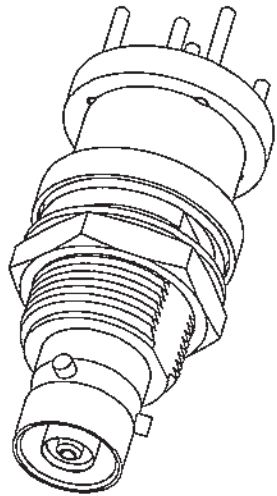
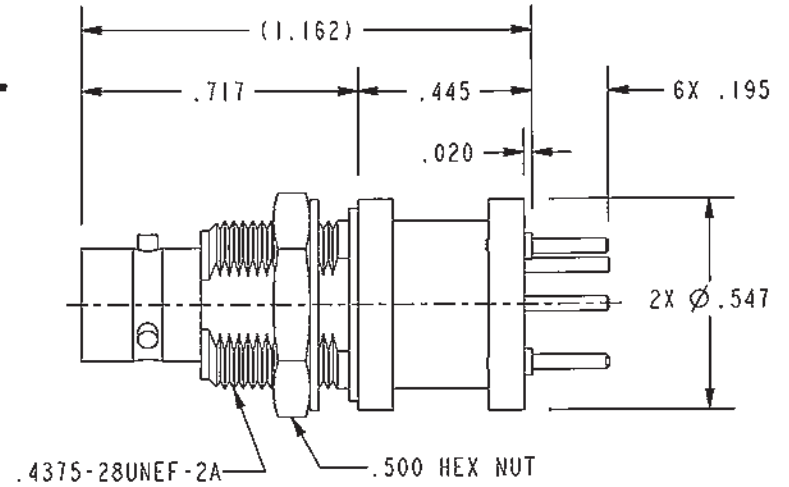
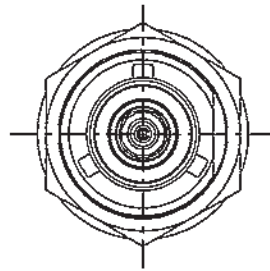


DATA CONTAINED IN THIS DOCUMENT IS PROPRIETARY TO TROMPETER ELECTRONICS INC. AND SHALL NOT BE DISCLOSED, COPIED OR USED FOR PROCUREMENT OR MANUFACTURE WITHOUT EXPRESS WRITTEN PERMISSION.

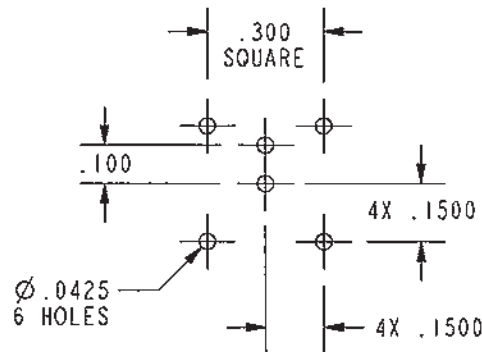
REVISIONS			
REV	DESCRIPTIONS	DATE	APPROVED
D	REVISED PER ECO 14990	3/20/03	WSJ



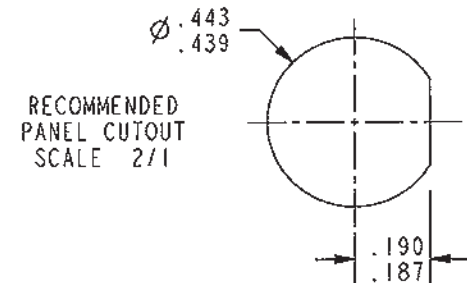
**RED INDICATES ORIGINAL**



SCALE 2/1




RECOMMENDED MTG HOLE PATTERN SCALE 2/1



RECOMMENDED PANEL CUTOUT SCALE 2/1

- MAX PANEL THICKNESS .250
- FINISH-  
 BODY: TFS-1A (NICKEL)  
 CONDUCTORS: TFS-1B (GOLD)  
 LEGS: TFS-1T (TIN 90/10)
- SUBMINIATURE TRS REAR MOUNT PC BOARD BULKHEAD RECEPTACLE

NOTES: UNLESS OTHERWISE SPECIFIED.

INTERPRET DRAWING PER MIL-STD-100. DIMENSIONS ARE IN INCHES AND INCLUDE FINISH THICKNESS UNLESS OTHERWISE SPECIFIED.		TOL: UNLESS SPECIFIED. .XX ± .01 .XXX ± .003 .XXXX ± .0010 ANGLE ± 1° 00' CRITICAL			
DWN JCM 3-19-03 CHK AAW 3-19-03 QUALITY WSJ 3/20/03 NAW 3/20/03 APPROVED WSJ 3/20/03 PROJECT NO. 3-0306	MATERIAL:  FINISH: SEE NOTE 2	TITLE:  CBBJ159		SIZE A CAGE CODE 14949 SCALE 2/1	DRAWING NO. 3-0306 DATE 11-2-98 SHEET 1C
NEXT ASSY		DO NOT SCALE DWG		REV. D	REV. D