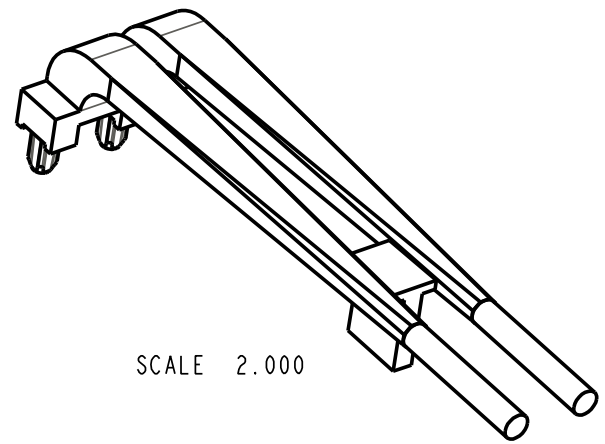
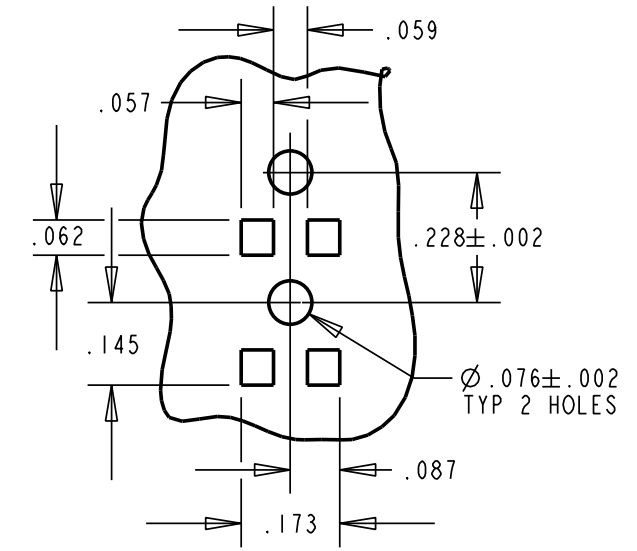
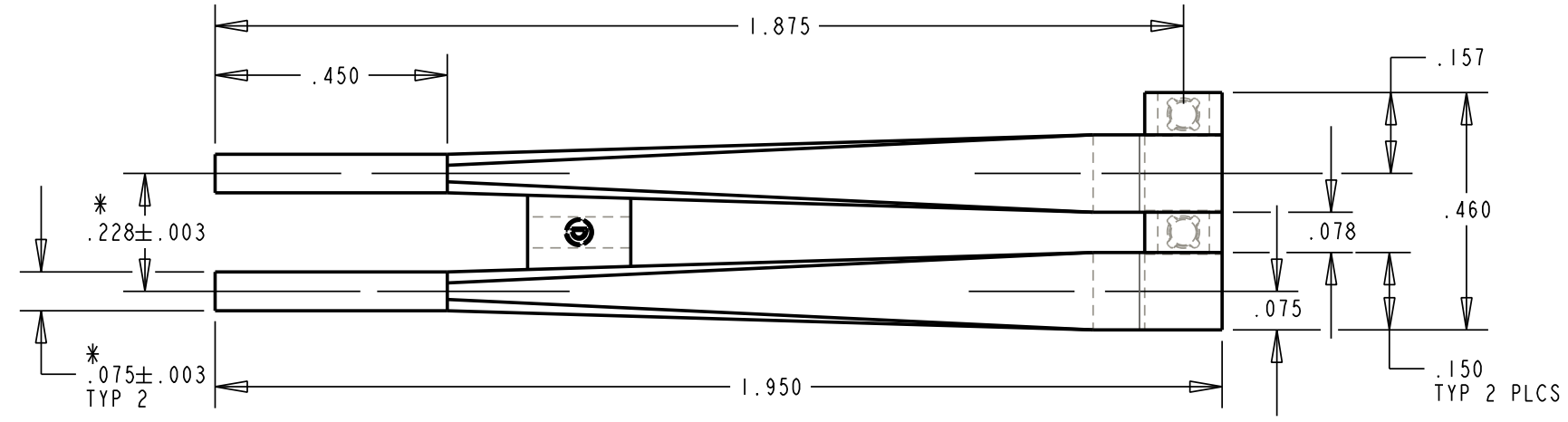


REV.	ECN NO.	REVISIONS	DRN.	CKD.	APP.	DATE
A		NEW RELEASE	ADM	YS	N.O.	10-19-01
B		ADDED: TOL. +.005/-.010 TO .110; ADDED: .015 DIM & DIALIGHT LOGO; REMOVED .125 (PIN) DIM.	ADM			

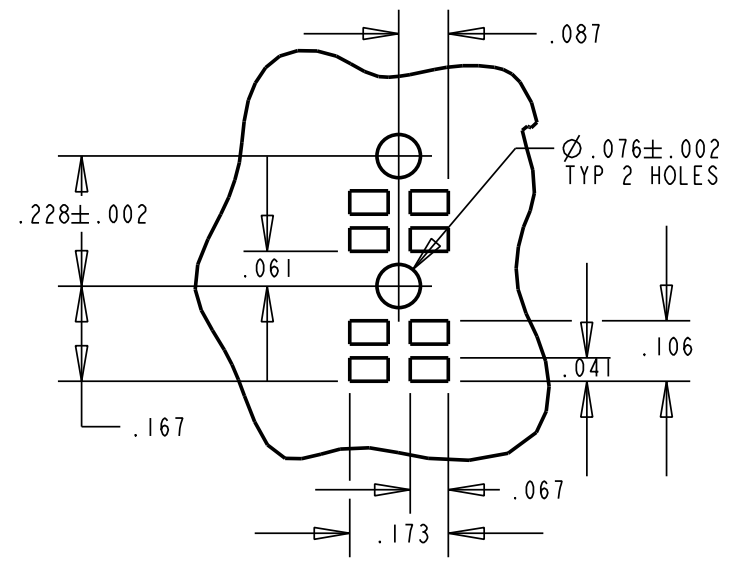
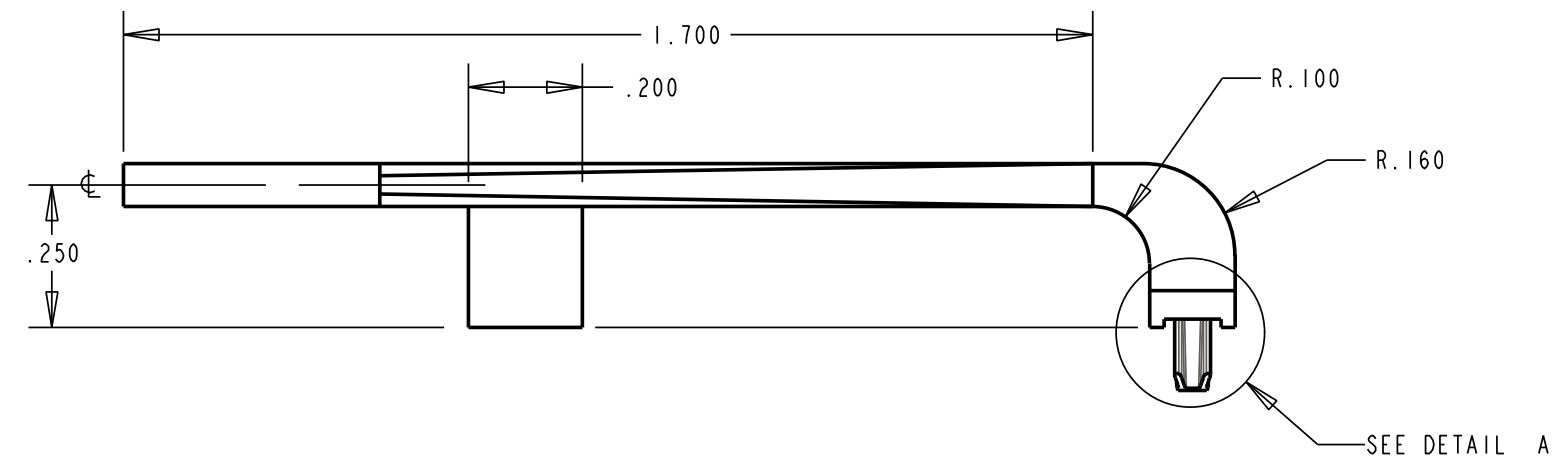
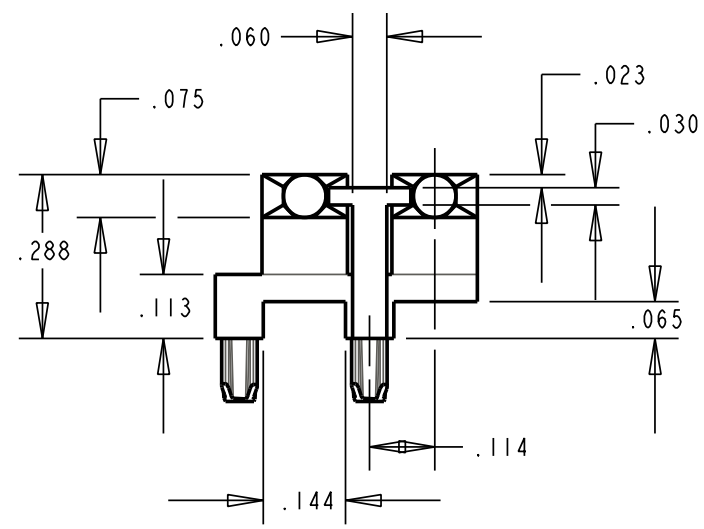
- NOTES:  
1. MATERIAL: COMPONENT TO BE MOLDED IN A CLEAR TRANSMISSIVE POLYCARBONATE.  
2. COMPONENT DESIGNED TO BE PRESSED INTO A P.C. BOARD.  
3. LIGHTSOURCE: RED/GREEN SMT BI-COLOR LED; DIALIGHT P/N: 597-77X1-5XX AND YELLOW SMT SINGLE COLOR LED; DIALIGHT P/N 597-3XX1-5XX.  
4. LIGHTPIPE REFERENCE DIALIGHT P/N 515-1126.



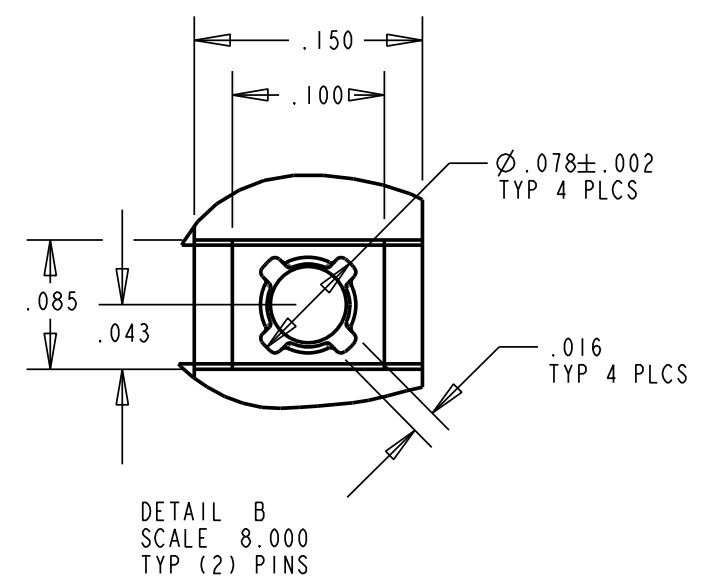
SCALE 2.000



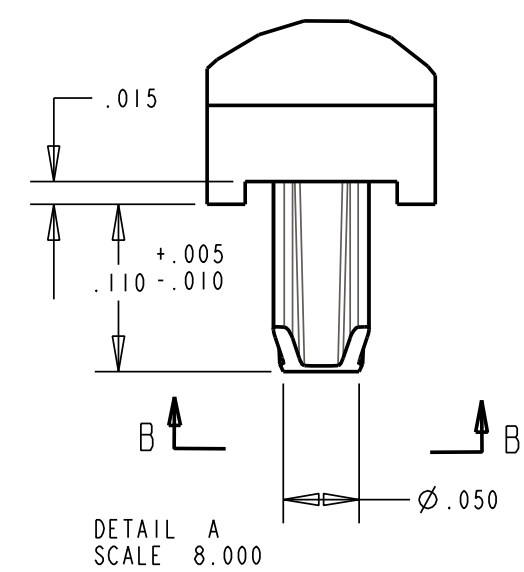
SOLDER PAD LAYOUT  
SINGLE COLOR LED  
SCALE 3:0



SOLDER PAD LAYOUT  
BI-COLOR LED  
SCALE 3:0



DETAIL B  
SCALE 8.000  
TYP (2) PINS



DETAIL A  
SCALE 8.000

THIS DRAWING AND THE CONTENTS HEREIN ARE CONFIDENTIAL AND THE SOLE PROPERTY OF DIALIGHT. REPRODUCTION OF THIS DRAWING OR CONSTRUCTION OF ANY PARTS WITHIN THIS DRAWING ARE FORBIDDEN WITHOUT THE WRITTEN CONSENT OF DIALIGHT.

SCALE: 3.000 ALL DIM'S IN: INCHES <del>MM</del>	DRAWING NUMBER C16870	REV B
TOLERANCES: UNLESS OTHERWISE SPECIFIED FRACTIONS: ±1/64 DECIMALS (.XX): ±.01 DECIMALS (.XXX): ±.005 DECIMALS (.XXXX): ±.0005 ANGLES: ±1°	TITLE DIALIGHT LIGHT PIPE	
FINISH:	MATERIAL SEE NOTE 1	
FSCM 83330		
	1501 ROUTE 34 SOUTH FARMINGDALE, NJ 07727	
	SHEET 1 OF 1 FAMILY TABLE:	