

ALL MATERIALS AND FINISHES SHALL BE COMPLIANT TO RoHS 2011/65/EU DIRECTIVE.
CERTIFICATE OF COMPLIANCE REQUIRED

PC3566

2 AXIS, 1 BUTTON PENDANT CONTROLLER CONSISTING OF:

- (1) ERGONOMIC, HIGH IMPACT PLASTIC HOUSING
- (1) 2 AXIS THUMBSTICK
- (1) MOMENTARY PUSHBUTTON

- ANALOG VOLTAGE OUTPUT

- COILED CABLE

MECHANICAL SPECIFICATIONS

X / Y AXIS

OPERATING FORCE: 3.1N ± 0.5N
 MAX VERTICAL LOAD: 200N
 MAX HORIZONTAL LOAD: 150N
 ANGLE OF MOVEMENT: 50°
 EXPECTED LIFE: 1M CYCLES

MOMENTARY SWITCHES

OPERATING FORCE: 4.0N ± 3N
 EXPECTED LIFE: 1M CYCLES

ELECTRICAL SPECIFICATIONS

TS SERIES

SENSOR: HALL EFFECT
 SUPPLY VOLTAGE: 5.00VDC ± .25VDC
 OUTPUT VOLTAGE: 0V TO 5VDC
 REVERSE POLARITY MAX: -10V
 OVERVOLTAGE MAX: 20V
 OUTPUT IMPEDANCE: 2 OHM
 RETURN TO CENTER VOLTAGE: ±200mV INITIAL

PUSHBUTTON SWITCH

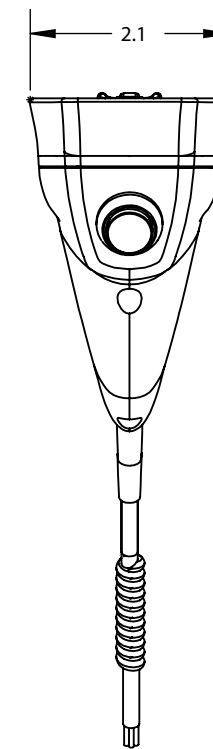
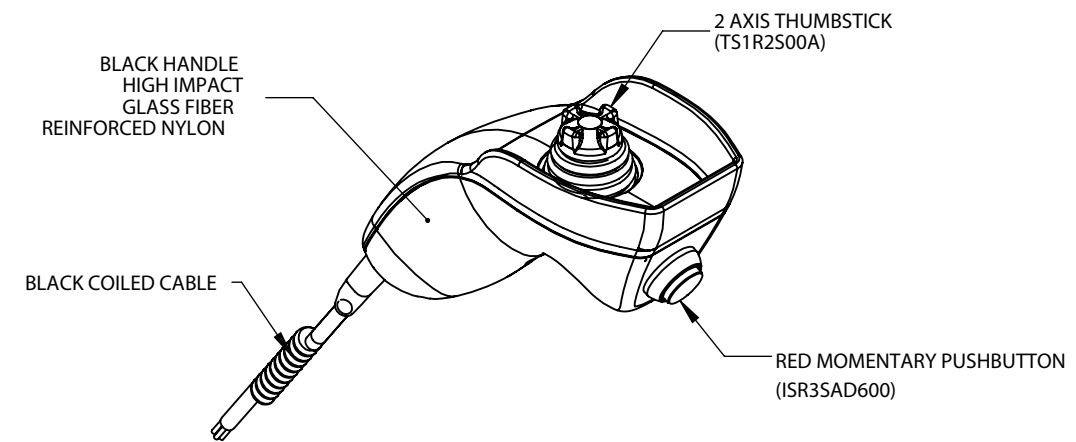
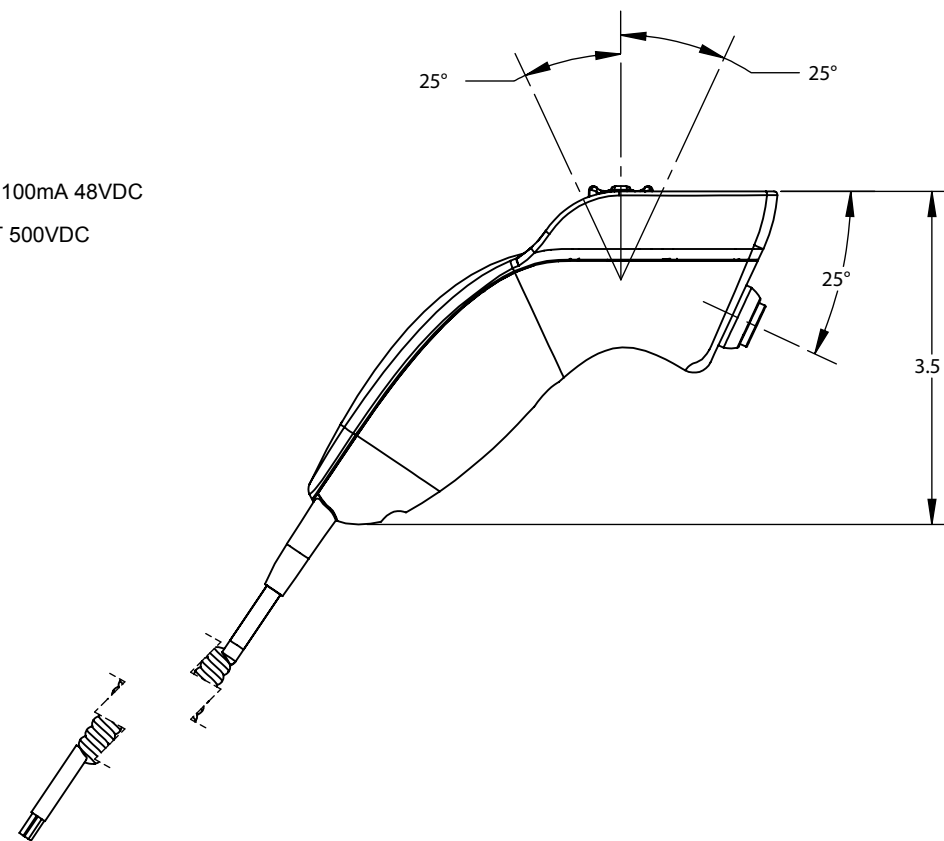
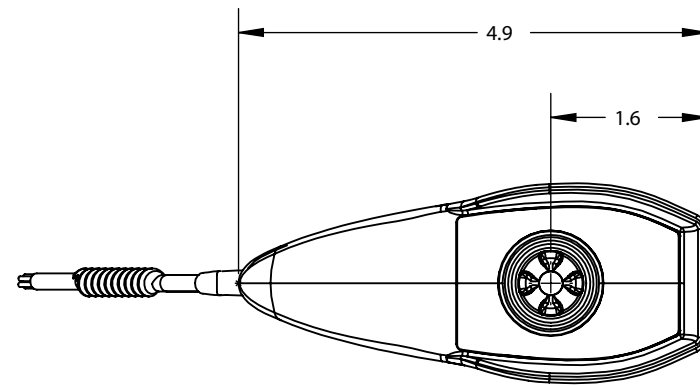
MAX CURRENT/VOLTAGE RATING RESISTIVE LOAD: 400mA 32VAC - 100mA 48VDC
 INITIAL CONTACT RESISTANCE: 50 mOHM MAX.
 INSULATION RESISTANCE: 1 GOHM MIN AT 500VDC
 DIELECTRIC STRENGTH: 1.000 VRMS
 ELECTRICAL LIFE AT FULL LOAD: 500K CYCLES

COILED CABLE

RED: VDC
 BLACK: GND
 BLUE: X-AXIS
 YELLOW: Y-AXIS
 ORANGE: PUSHBUTTON
 WHITE: PUSHBUTTON COMMON

ENVIRONMENTAL SPECIFICATIONS

ENVIRONMENTAL SEALING: IP54
 OPERATING TEMPERATURE: -40°C to 85°C



		NUMBER: PC3566	
		DESCRIPTION: 2 AXIS 1 BUTTON PENDANT CONTROLLER	REV:
DIMENSIONS ARE IN INCHES TOL. ON ANGLE ± 1.0° .XX ± 0.01 .XXX ± 0.003 .XXXX ± 0.001 INTERPRET DIM AND TOL PER ANSI Y14.5 <input checked="" type="checkbox"/> CRITICAL DIMENSION		SHEET 1 of 1	
DRAWN BY: GT	CHECKED BY: ---	DESIGNED BY: ---	TYPE: M
DATE: 01/27/16	DATE: --/--	DATE: --/--	SIZE: B
			SCALE: 1:2

CUSTOMER APPROVALS

COMPANY: _____

CUSTOMER APPROVAL SIGNATURE _____ DATE _____

PRINTED NAME _____