

5

4

3

2

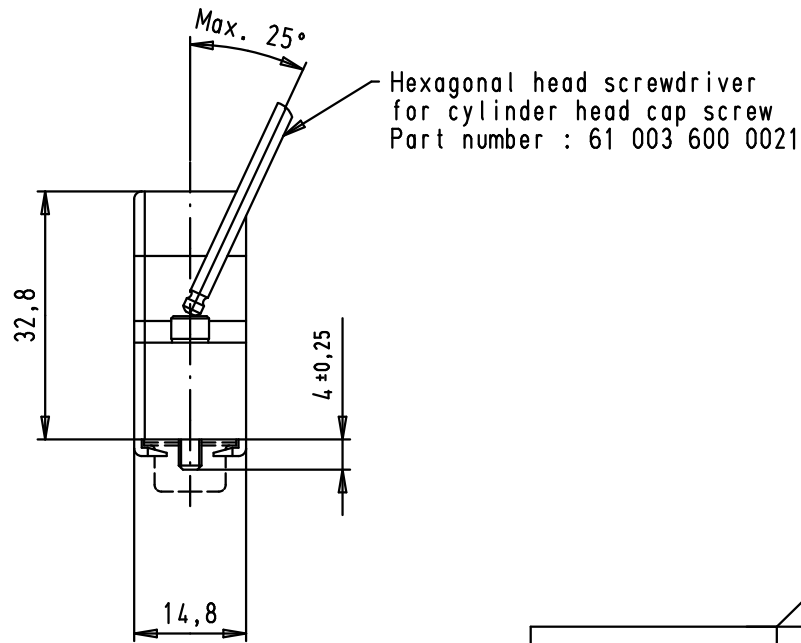
1

D

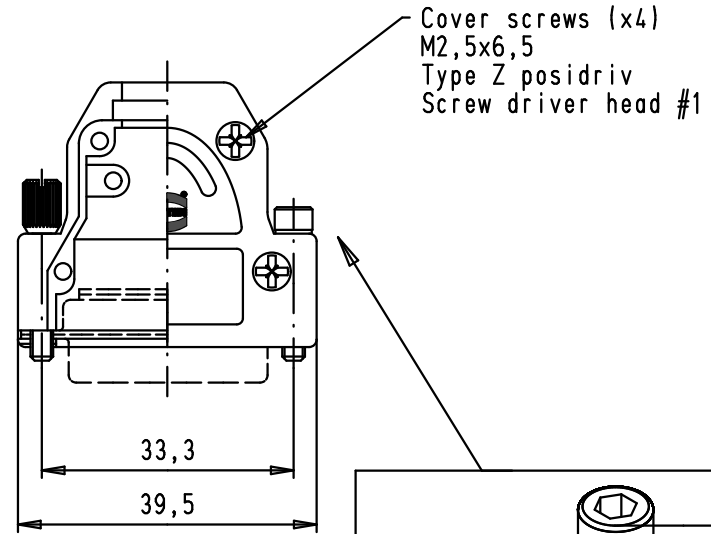
C

B

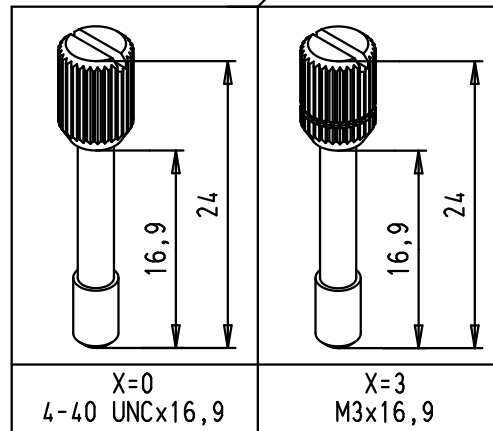
A



Hexagonal head screwdriver  
for cylinder head cap screw  
Part number : 61 003 600 0021

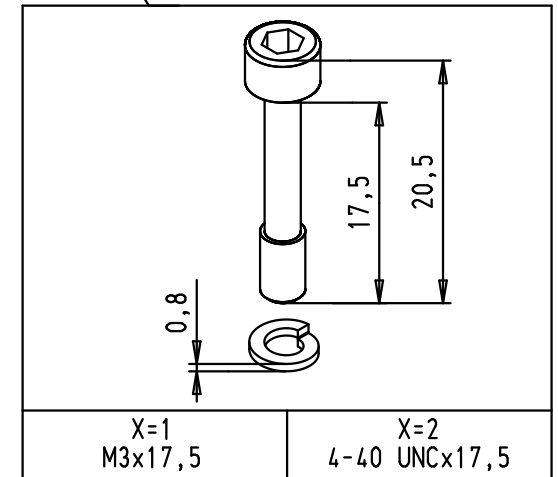


Cover screws (x4)  
M2,5x6,5  
Type Z posidriv  
Screw driver head #1



X=0  
4-40 UNCx16,9

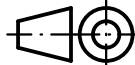

X=3  
M3x16,9



X=1  
M3x17,5

X=2  
4-40 UNCx17,5

NOTA :Full metal hood made  
with zinc diecast

						Dot.	Name	 All Dim. in mm Orig. Size DIN A 4	INDUCOM - 15 poles, full metal hood for D-Sub, straight cable entry	Maßstab/ Scale	
61 03 001 X016						Detail.	14/08/03 STRAUCH				1:1
61 03 001 3016	Knurled thumb screw	M3 x 16,9				Insp.					
61 03 001 0016		4-40 UNC x 16,9				Stand.					
61 03 001 2016	Cylinder socket head cap screw with spring washer [2,6 DIN 127B]	4-40 UNC x 17,5	36163	29/09/10	SC	HARTING Electronics GmbH & Co. KG D-32339 ESPELKAMP			<b>TB 61 03 001 X016</b>	Blatt/ Page 1 / 1	
61 03 001 1016		M3 x 17,5	32473	10/01/05	STRAUCH						
Part number	Screw type	screw size	Mod.	Dot.	Name				Sub.		