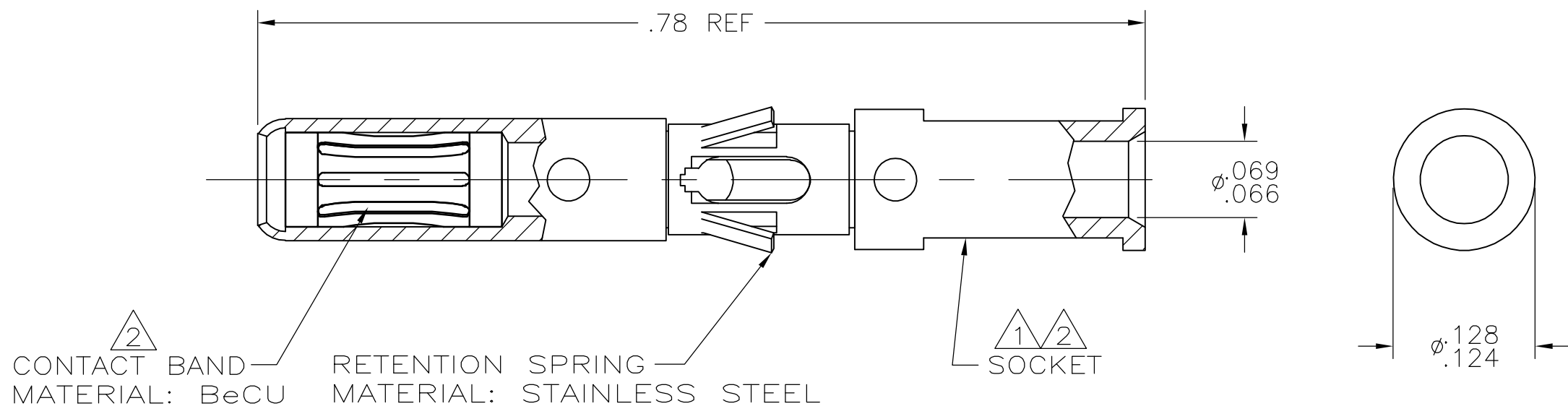


THIS DRAWING IS UNPUBLISHED. RELEASED FOR PUBLICATION

© COPYRIGHT BY TYCO ELECTRONICS CORPORATION. ALL RIGHTS RESERVED.

LOC	DIST	REVISIONS					
FT	0	P	LTR	DESCRIPTION	DATE	DWN	APVD
			A	REVISED PER ECO-06-27943	11/29/06	SS	GS

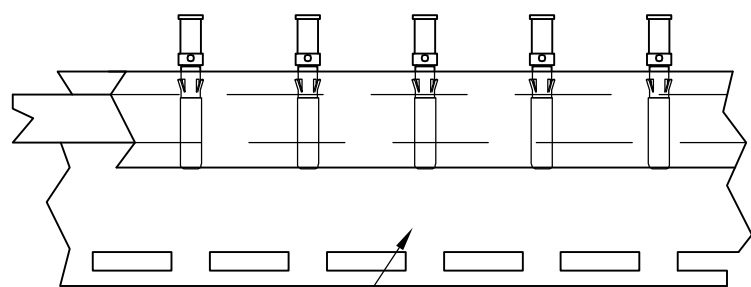
- ① MATERIAL: COPPER ALLOY
- ② FINISH: SOCKET; 200uINCHES MIN. SILVER OVER 50uINCHES MIN. NICKEL BAND; 10uINCHES MIN. GOLD OVER 40 uINCHES MIN. NICKEL.
- ③ WIRE BARREL WILL ACCEPT 18-16 AWG WIRE.
- 4. MATES WITH 796964-1.
- ⑤ WHEN ORDERING CONTACT ASSEMBLIES ON TAPE, ORDER BY PART NUMBER PLUS THE PACKAGING CODE AS FOLLOWS:
A. 5000 PARTS PER REEL ADD PACKAGING CODE: 5MREEL
I.E. ORDER # 796966-2, 5MREEL.



② CONTACT BAND MATERIAL: BeCu

RETENTION SPRING MATERIAL: STAINLESS STEEL

① ② SOCKET



MYLAR TAPE

796966-2 TAPE MTG DETAIL ⑤

SCALE: 1:1

⑤ PRELIMINARY	TAPE MTG (SEE DETAIL)	796966-2
	STANDARD	796966-1
	PACKAGING TYPE	PART NO

THIS DRAWING IS A CONTROLLED DOCUMENT.		DWN S SCHLEGEL 12/19/02	Tyco Electronics Corporation Harrisburg, PA 17105-3608		
DIMENSIONS: INCHES		CHK G STEINHAUER 12/19/02			
TOLERANCES UNLESS OTHERWISE SPECIFIED:		APVD G STEINHAUER 12/19/02	NAME SOCKET ASSY, 18-16 AWG HIGH CURRENT TYPE II/III+		
0 PLC ± - 1 PLC ± - 2 PLC ± - 3 PLC ± - 4 PLC ± - ANGLES ± -		PRODUCT SPEC -	RESTRICTED TO -		
MATERIAL ①		APPLICATION SPEC -	SIZE A3	CAGE CODE 00779	DRAWING NO C-796966
FINISH ②		WEIGHT -	SCALE 8:1		SHEET 1 OF 1
CUSTOMER DRAWING			REV A		