

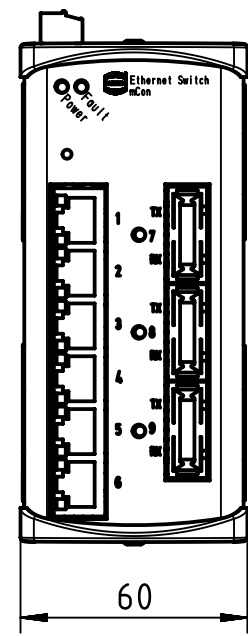
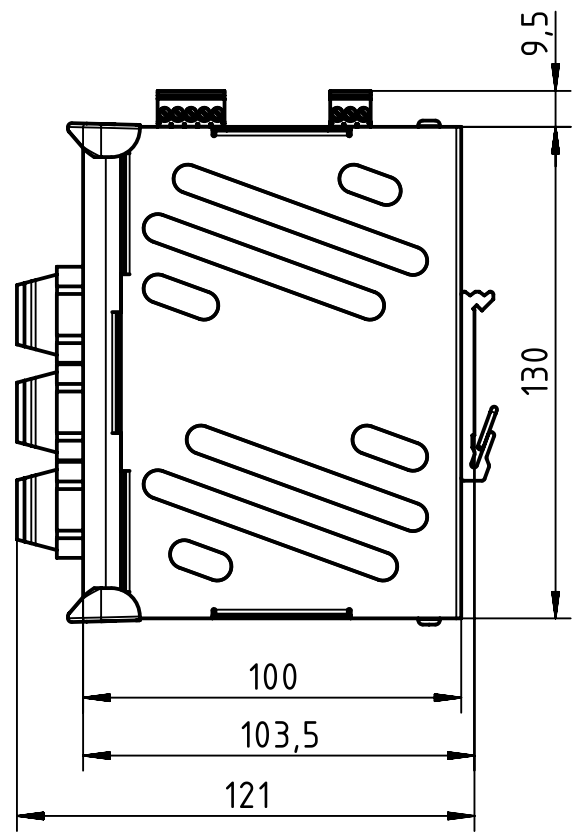
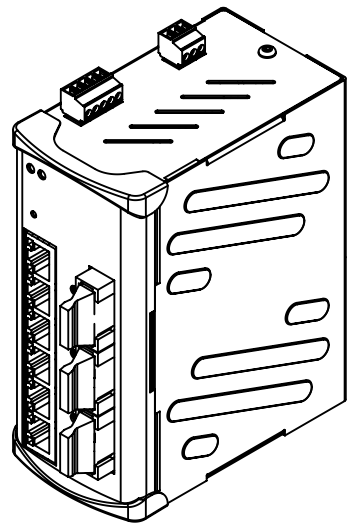
1 2 3 4 5 6

A

B

C

D



for mounting rail acc. to DIN EN 60715

	All Dimensions in mm Original Size DIN A4		Scale 1:2	Free size tol.		Ref. Sub. TB 20 76 109 4101 v. 30.01.09		
		All rights reserved Department EL PD - DE		Created by ILJIN	Inspected by LOETKEMANN	Standardisation SCHMIDTM	Date 2013-09-03	State Final Release
HARTING Electric GmbH & Co. KG D-32339 Espelkamp				Title Ha-VIS mCon 3063-ADV			Doc-Key / ECM-Nr. 100172926/UGD/004/A 5500 0000 0000 0000 0000 0000 0000 0000	
				Type TB	Number 20 76 109 4101			Rev. A Page 1/1