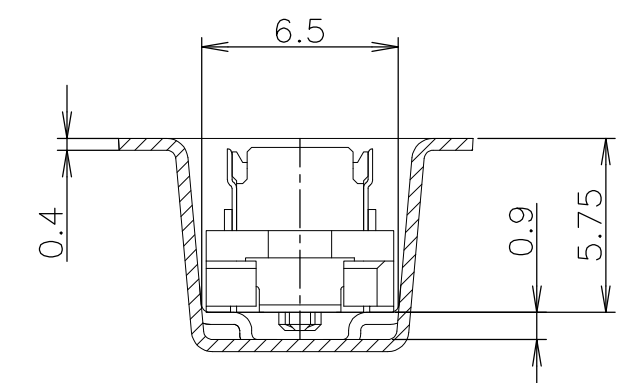
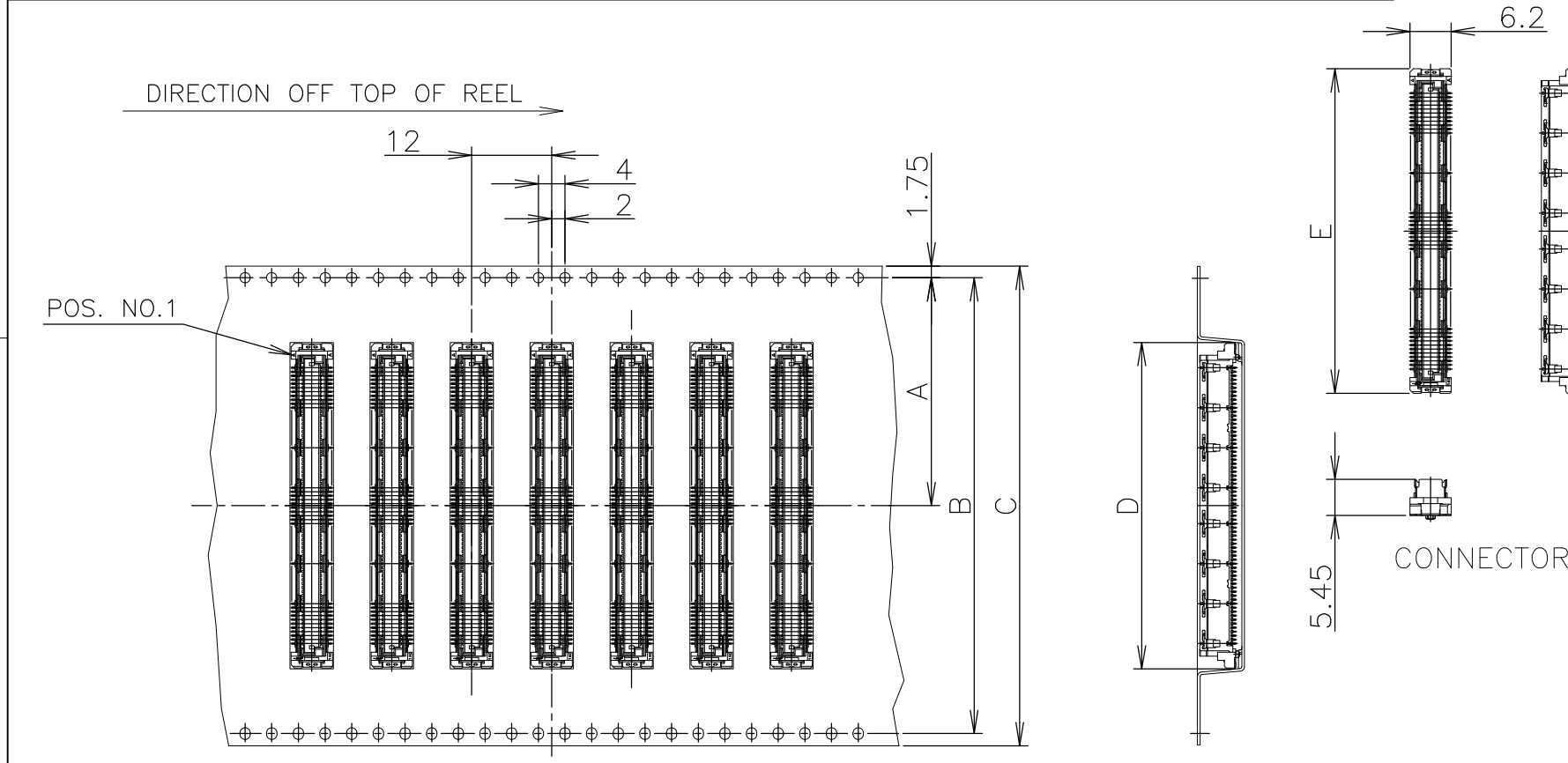
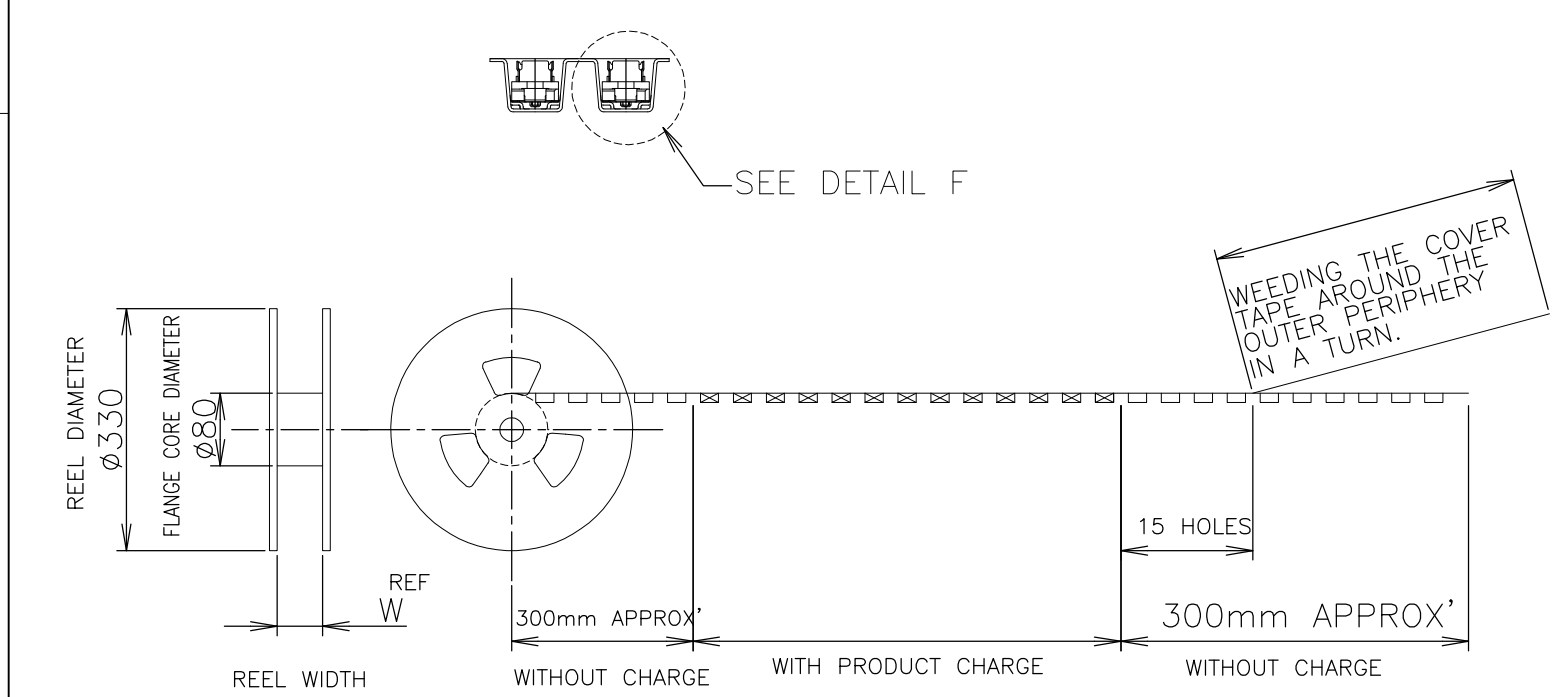


THIS DRAWING IS UNPUBLISHED. RELEASED FOR PUBLICATION JUN , 1996.
 © COPYRIGHT 1996 By - ALL RIGHTS RESERVED.

LOC	DIST	REVISIONS 変更			
P	LTR	DESCRIPTION	DATE	DWN	APVD
	B1	REVISED ECR-15-012060	14SEP2015	I.T	W.H
	B2	REVISED PER ECO-16-014594	10OCT2016	B.J	S.Y



CONNECTOR DETAIL



WEEDING THE COVER TAPE AROUND THE OUTER PERIPHERY IN A TURN.

SEE DETAIL F

SEALANT	TOOLING STATUS	QTY.	W	E	D	C	B	A	POS.	PART NO.
NOT AVAILABLE		800	49.5	24.7	25	44	40.4	20.2	60	7-5353186-4
NOT AVAILABLE			77.5	54.7	55	72	68.4	34.2	160	6-5353186-1
AVAILABLE			77.5	48.7	49	72	68.4	34.2	140	6- -0
NOT AVAILABLE			61.5	42.7	43	56	52.4	26.2	120	5- -9
NOT AVAILABLE			61.5	36.7	37	56	52.4	26.2	100	5- -8
NOT AVAILABLE			61.5	33.7	34	56	52.4	26.2	90	5- -7
AVAILABLE			49.5	30.7	31	44	40.4	20.2	80	5- -6
NOT AVAILABLE			49.5	27.7	28	44	40.4	20.2	70	5- -5
NOT AVAILABLE			49.5	24.7	25	44	40.4	20.2	60	5- -4
NOT AVAILABLE			37.5	21.7	22	32	28.4	14.2	50	5- -3
AVAILABLE			37.5	18.7	19	32	28.4	14.2	40	5- -2
NOT AVAILABLE		800	29.5	15.7	16	24	11.5		30	5-5353186-1
AVAILABLE		800	49.5	24.7	25	44	40.4	20.2	60	2-5353186-4
AVAILABLE			77.5	54.7	55	72	68.4	34.2	160	1-5353186-1
AVAILABLE			77.5	48.7	49	72	68.4	34.2	140	1- -0
NOT AVAILABLE			61.5	42.7	43	56	52.4	26.2	120	-9
AVAILABLE			61.5	36.7	37	56	52.4	26.2	100	-8
NOT AVAILABLE		800	61.5	33.7	34	56	52.4	26.2	90	-7
NOT AVAILABLE			49.5	27.7	28	44	40.4	20.2	70	-5
NOT AVAILABLE			49.5	24.7	25	44	40.4	20.2	60	-4
NOT AVAILABLE			37.5	21.7	22	32	28.4	14.2	50	-3
NOT AVAILABLE			37.5	18.7	19	32	28.4	14.2	40	-2
NOT AVAILABLE		800	29.5	15.7	16	24	11.5		30	5353186-1

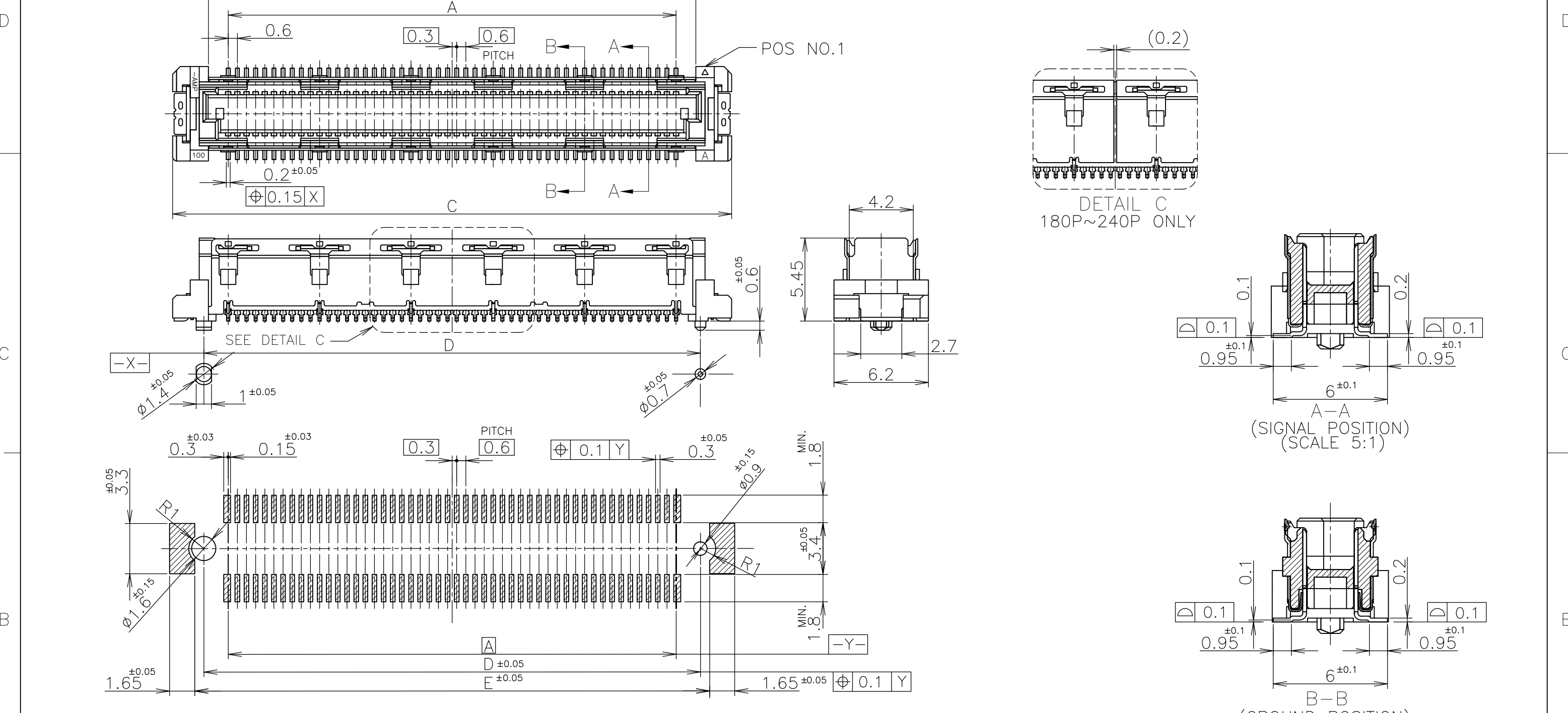
- 4 THIS PRODUCT WAS COATED BY FLUX-PENETRATION -INHIDTING AGENT.
- 5 HOUSING COLOR : NATURAL
- 6 HOUSING COLOR : BLACK

THIS DRAWING IS A CONTROLLED DOCUMENT.

DIMENSIONS: 単位: 耗 mm	TOLERANCES UNLESS OTHERWISE SPECIFIED: 一般公差	DWN HAWKING HE 20DEC04	STE TE Connectivity	
	0 PLC ± 0.2 1 PLC ± 0.2 2 PLC ± 0.2 3 PLC ± 0.2 4 PLC ANGLES ± 0.2	CHK STEVEN YAO 20DEC04		
MATERIAL 材料	FINISH 仕上	APVD I.ENOMOTO 20DEC04	NAME 名称	
		PRODUCT SPEC 製品規格 108-60047	EMBOSS ASSY FH 0.6BTB CONNECTOR PLUG 6H WITH G-PLATE	
		APPLICATION SPEC 取付適用規格 114-5255	SIZE A3	CAGE CODE 00779
		WEIGHT	DRAWING NO 番号 G-5353186	RESTRICTED TO
CUSTOMER DRAWING		SCALE 尺度 1:1		SHEET 1 OF 3
				REV B2

THIS DRAWING IS UNPUBLISHED. RELEASED FOR PUBLICATION JUN ,1996.
 © COPYRIGHT 1996 By - ALL RIGHTS RESERVED.

LOC	DIST	REVISIONS					
J		P	LTR	DESCRIPTION	DATE	DWN	APVD
		-		SEE SHEET 1	-	-	-



AVAILABLE	21.8	20.6	24.7	20	17.4	60
AVAILABLE	51.8	50.6	54.7	50	47.4	160
AVAILABLE	45.8	44.6	48.7	44	41.4	140
NOT AVAILABLE	39.8	38.6	42.7	38	35.4	120
AVAILABLE	33.8	32.6	36.7	32	29.4	100
NOT AVAILABLE	30.8	29.6	33.7	29	26.4	90
AVAILABLE	27.8	26.6	30.7	26	23.4	80
NOT AVAILABLE	24.8	23.6	27.7	23	20.4	70
AVAILABLE	21.8	20.6	24.7	20	17.4	60
NOT AVAILABLE	19.8	17.6	21.7	17	14.4	50
AVAILABLE	15.8	14.6	18.7	14	11.4	40
NOT AVAILABLE	12.8	11.6	15.7	11	8.4	30
TOOLING STATUS	E	D	C	B	A	POS

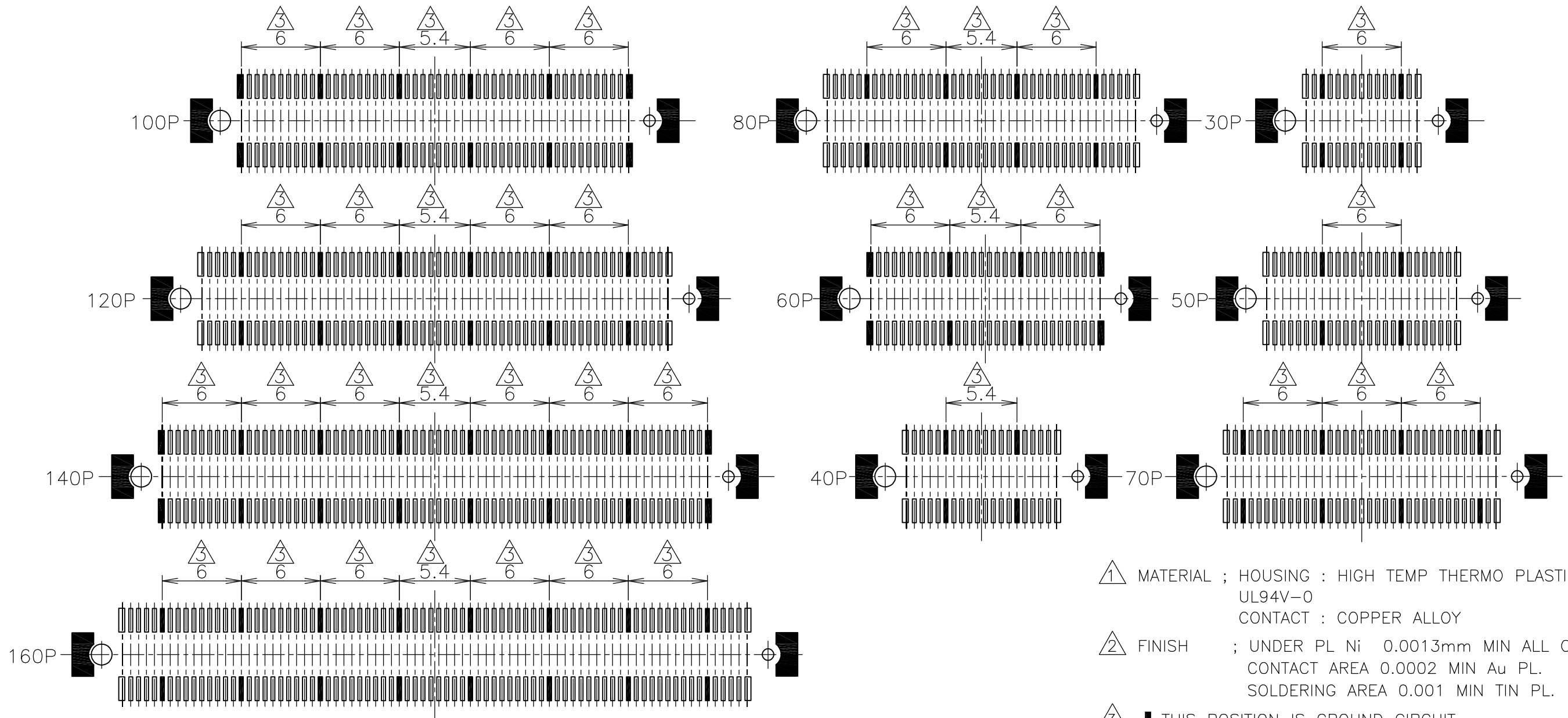
REFERENCE P.C.BOARD LAYOUT

GENERAL TOLERANCE
 一般公差
 10 ≥ ±0.2
 30 ≥ >10: ±0.25
 100 ≥ >30: ±0.3
 ANGLES: ±3°

THIS DRAWING IS A CONTROLLED DOCUMENT.		DWN	TE Connectivity			
DIMENSIONS: 單位: 耗 mm		CHK				
TOLERANCES UNLESS OTHERWISE SPECIFIED: 一般公差		APVD				
0 PLC ± - 1 PLC ± - 2 PLC ± - 3 PLC ± - 4 PLC ± - ANGLES ± -		NAME 名称				
MATERIAL 材料		WEIGHT	EMBOSS ASSY FH 0.6BTB CONNECTOR PLUG 6H WITH G-PLATE			
FINISH 仕上		CUSTOMER DRAWING	SIZE	CAGE CODE	DRAWING NO 番号	RESTRICTED TO
1 2			A3	00779	G-5353186	
			SCALE 尺度	SHEET	REV	
			4:1	2 OF 3	B2	

THIS DRAWING IS UNPUBLISHED. RELEASED FOR PUBLICATION JUN , 1996. ALL RIGHTS RESERVED.

LOC	DIST	REVISIONS		
J		P	LTR	DESCRIPTION
				DATE
				DWN
				APVD
		SEE SHEET 1		



- ① MATERIAL ; HOUSING : HIGH TEMP THERMO PLASTIC UL94V-0 CONTACT : COPPER ALLOY
- ② FINISH ; UNDER PL Ni 0.0013mm MIN ALL OVER. CONTACT AREA 0.0002 MIN Au PL. SOLDERING AREA 0.001 MIN TIN PL.
- ③ ■ THIS POSITION IS GROUND CIRCUIT.

GENERAL TOLERANCE
一般公差

10 ≥ ±0.2
30 ≥ >10: ±0.25
100 ≥ >30: ±0.3
ANGLES: ±3°

THIS DRAWING IS A CONTROLLED DOCUMENT.		DWN		STE TE Connectivity	
DIMENSIONS: 单位: 耗 mm		CHK			
TOLERANCES UNLESS OTHERWISE SPECIFIED: 一般公差		APVD		NAME 名称	
0 PLC ± -		PRODUCT SPEC 製品規格		EMBOSS ASSY	
1 PLC ± -		APPLICATION SPEC 取付適用規格		FH 0.6BTB CONNECTOR	
2 PLC ± -		WEIGHT		PLUG 6H WITH G-PLATE	
3 PLC ± -		CUSTOMER DRAWING		SIZE	
4 PLC ± -		SCALE 尺度 3:1		CAGE CODE	
ANGLES ± -		SHEET 3 OF 3		DRAWING NO 番号	
FINISH 仕上		REV B2		RESTRICTED TO	
MATERIAL 材料		A3 00779		G-5353186	