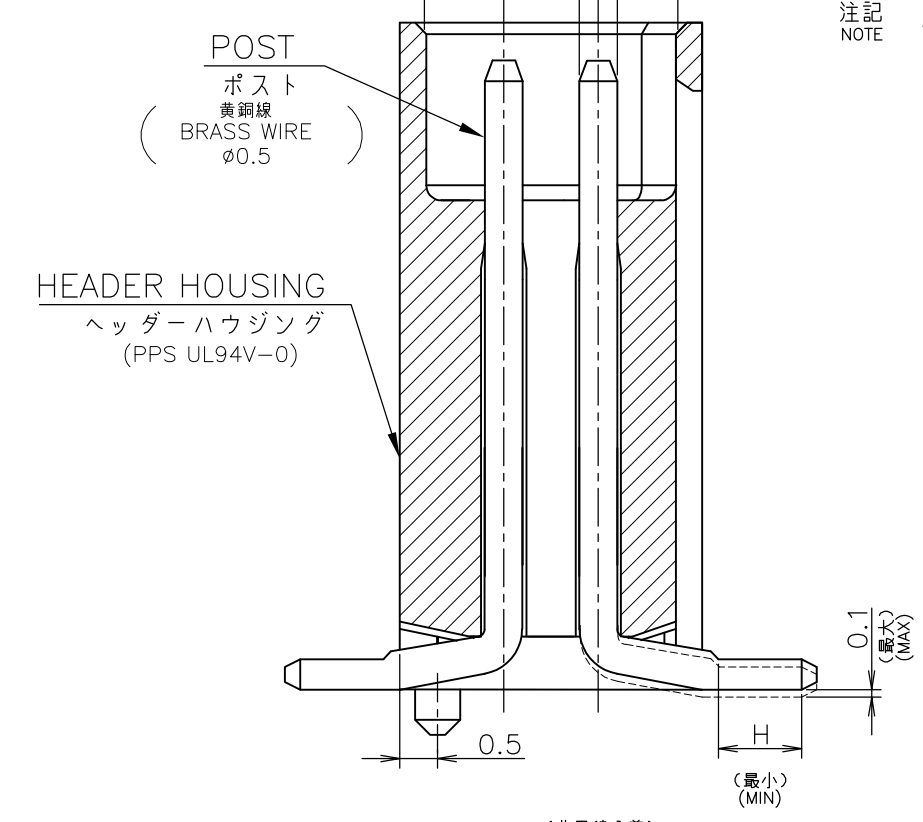
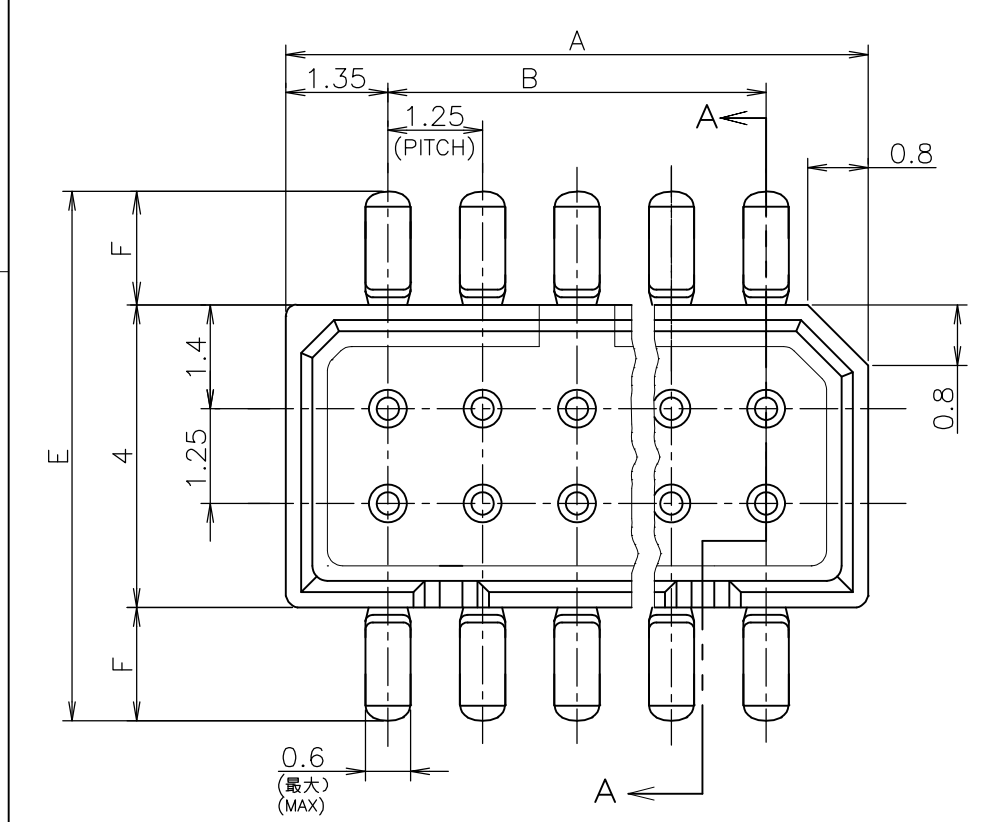


THIS DRAWING IS UNPUBLISHED. RELEASED FOR PUBLICATION
 © COPYRIGHT BY TYCO ELECTRONICS CORPORATION. ALL RIGHTS RESERVED.

LOC	DIST	REVISIONS			
P	LTR	DESCRIPTION	DATE	DWN	APVD
J		REVISED FJB0-0267-03	09MAY03	T.T	H.M
J1		REVISED PER ECO-10-000443	12JAN10	KK	AEG



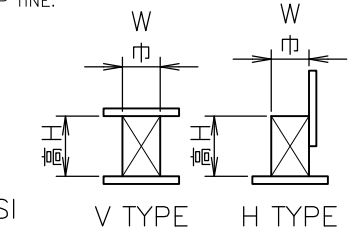
注記 NOTE 1 嵌合相手製品型番及び、嵌合時寸法は
 MATING COUNTER PART NUMBER AND DIMENSIONS
 表-1 参照のこと。
 AFTER MATING: SEE TABLE 1.

嵌合時寸法:巾(mm)x高さ(mm)
 DIMENSIONS AFTER MATING: WIDTH(mm) x HEIGHT(mm)

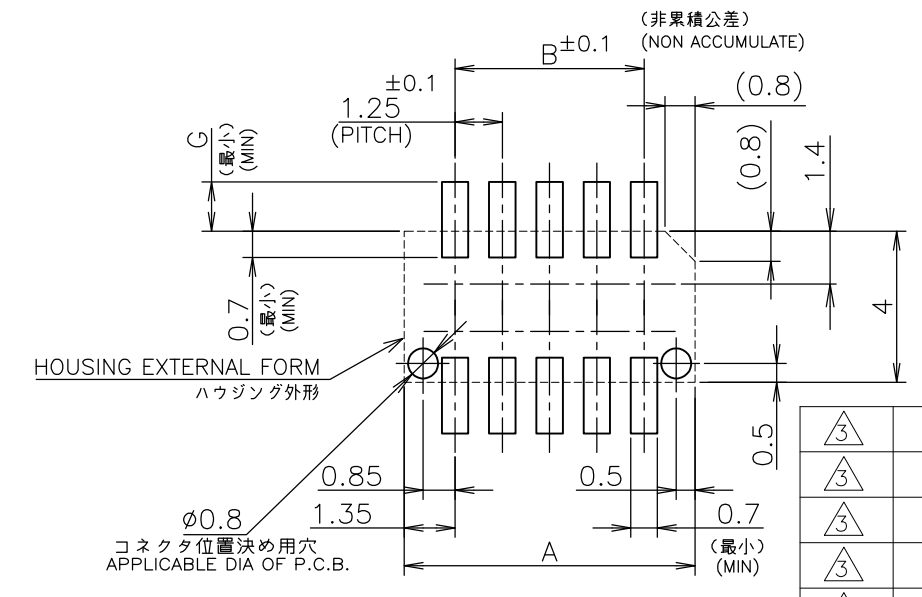
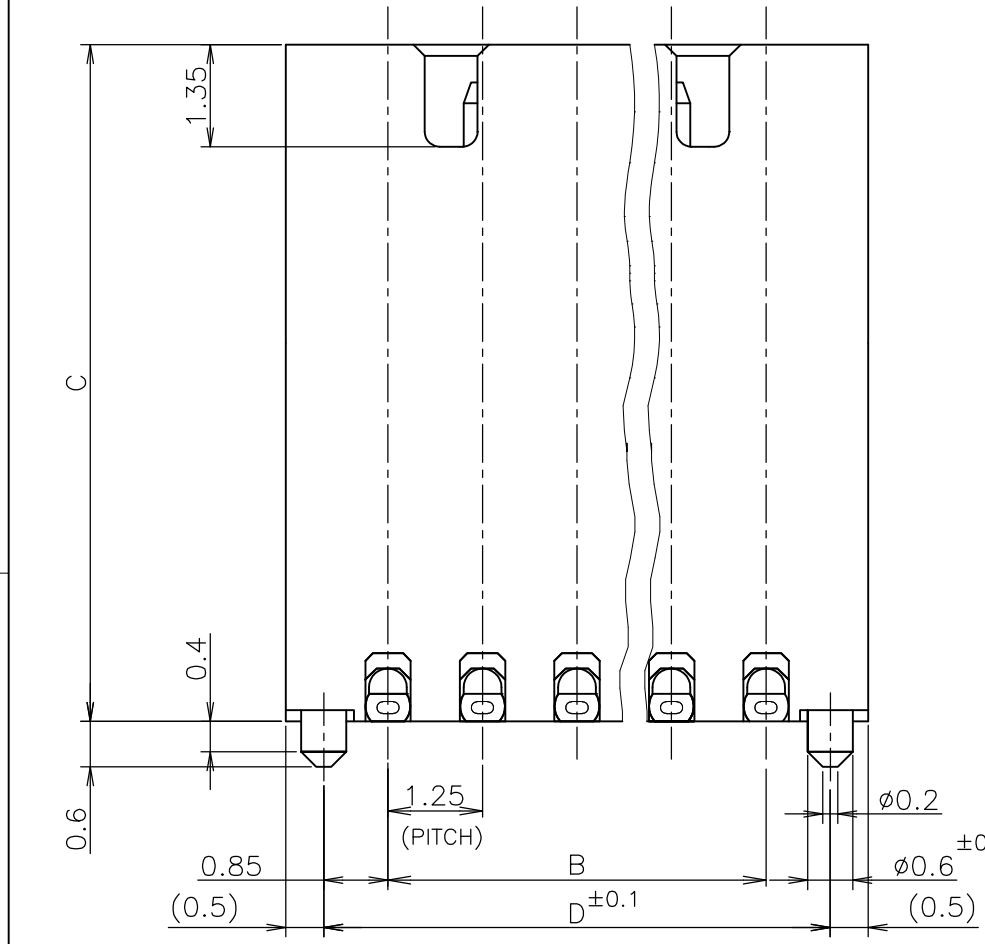
MATING COUNTER CONNECTOR RECONN HDR ASSY	SMT TYPE - IMPROVED TYPE X-176140-X		
	ハウジング高さ C寸法 HOUSING HEIGHT C DIMENSIONS		
	3.95	5.45	5.95
DIP TYPE			
V TYPE X-176870-X	5.6(巾W)x	5.6(巾W)x	7.0(巾W)x
H TYPE X-176892-X	5.6(巾W)x	5.6(巾W)x	7.0(巾W)x
SMT TYPE			
V TYPE WITHOUT BOSS X-176768-X	5.6(巾W)x	5.6(巾W)x	7.0(巾W)x
V TYPE WITH BOSS X-176311-X	5.0(高H)	6.5(高H)	10.0(高H)
H TYPE WITHOUT BOSS X-176893-X	5.6(巾W)x	5.6(巾W)x	7.0(巾W)x
H TYPE WITH BOSS X-176490-X	6.9(高H)	8.4(高H)	7.0(巾W)x 11.9(高H)

TABLE 1 表-1 SMT TYPEは、巾及び高さ寸法に SMT TYPE INCLUDE DIMENSIONS 半田付タイプ寸法を含みます。 OF SOLDER DIP TINE.

- ③ 仕上げ: 錫めっき(材料めっき)リフロー FINISH; PLI-TIN REFLOW
- ③ 仕上げ: ニッケル下地錫めっき(後めっき) FINISH; TIN PL. Ni UNDER PL. ALL OVER
- ④ OBSOLETE PARTS: OBSOLETE CIS STREAMLINING PER D.RENAUD/D.SINISI



鉛フリー LEAD FREE



P.C.B MOUNTING LAYOUT 基板加工寸法 (適用基板厚: 0.6mm 最小) (APPLICABLE P.C.B THK: 0.6mm MIN)

③						19.20		17.50	20.20	30	9-	-0
③						16.70	3.95	15.00	17.70	26	8-	-6
③		0.4	1.3	0.8	5.6	10.45	5.45	8.75	11.45	16	④ 4-	-6
③						19.20		17.50	20.20	30	3-	-0
③						15.45		13.75	16.45	24	2-	-4
③	黑色 BLACK	1.0	2.0	1.5	7.0	14.20	8.85	12.50	15.20	22	2-176140-2	
仕上げ FINISH	色別 COLOR	H	G	F	E	D	C	B	A	極数 Pos.	型番 P/N	

THIS DRAWING IS A CONTROLLED DOCUMENT.

DIMENSIONS: MM	TOLERANCES UNLESS OTHERWISE SPECIFIED:	DWN S.KANEKI 20FEB89		Tyco Electronics AMP K.K. Kawasaki, Japan	
		CHK J.TANIGAWA 20FEB89		1.25 F-P CONNECTOR (B-TO-B) DOUBLE ROW POST HDR ASSY SMT TYPE WITH BOSS - IMPROVED TYPE	
		APVD N.ONOUE 20FEB89	NAME	SIZE	CAGE CODE
			PRODUCT SPEC	A3	00779
			APPLICATION SPEC	DRAWING NO	C-176140
MATERIAL AS SHOWN 図中参照	FINISH AS SHOWN 図中参照	WEIGHT	RESTRICTED TO		
CUSTOMER DRAWING			SCALE	SHEET	REV
			10:1	1 OF 1	J1