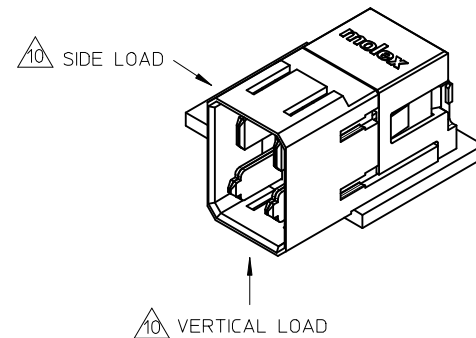
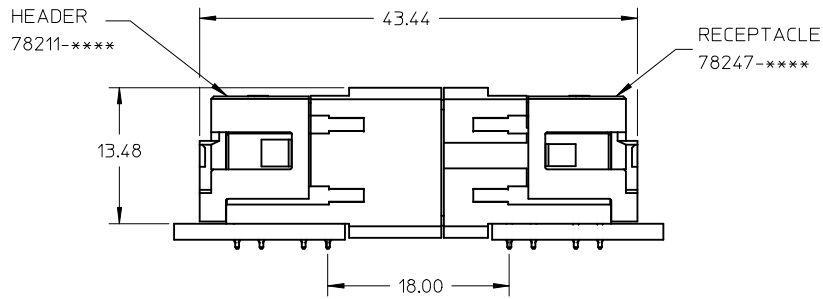


NOTES:

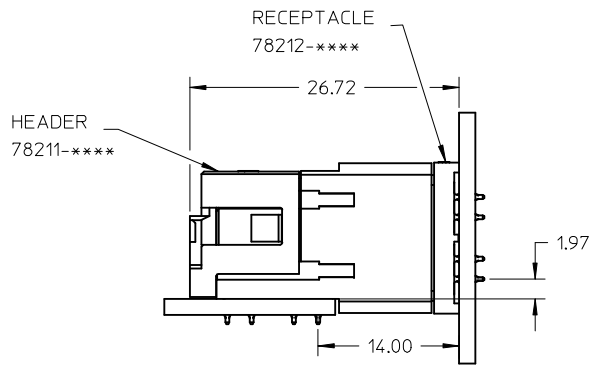
1. MATERIAL:
HOUSING - LCP, GLASS FILLED, UL94-V0, COLOR: BLACK
POWER PIN - COPPER ALLOY
2. FINISH OPTION:
TIN - 0.764μm MINIMUM GOLD AT CONTACT AND
2.544μm MINIMUM TIN AT SOLDERTAIL AREA OVER
1.274μm MINIMUM NICKEL UNDERPLATE OVERALL.
3. PRODUCT SPECIFICATION: PS-78213-001.
4. PACKAGING SPECIFICATION: PK-78211-001.
5. MATES WITH 78247-**** & 78212-****.
6. REFER TO SHEET 3 FOR RECOMMENDED PCB LAYOUT.
7. REFER TO MOLEX PRODUCT SPECIFICATION PS-78213-001 FOR PLATED THROUGH-HOLE SPECIFICATIONS.
8. PART NUMBER AND DATE CODE (YYDDD) APPROXIMATELY SHOWN.
9. KEEP OUT ZONE FROM OTHER COMPONENTS.
10. CONNECTOR-TO-PCB RETENTION FORCE SHALL WITHSTAND VERTICAL LOAD OF 1.5KGF AND SIDE LOAD OF 3KGF MAXIMUM RESPECTIVELY. FOR APPLICATION THAT REQUIRES MORE CONNECTOR-TO-PCB RETENTION FORCE, PLEASE CONTACT MOLEX SALES TECHNICAL PERSONNEL FOR RECOMMENDATION.



CKTS PATH PINS NOS. EC NO: S2014-0872 DRWN: SHONG 2014/12/16 CHKD: HICGOH 2015/04/07 APPR: SHLENI 2015/04/07	QUALITY SYMBOLS ▽=0 ◻=0	GENERAL TOLERANCES (UNLESS SPECIFIED)		DIMENSION STYLE MM ONLY	SCALE NTS	DESIGN UNITS METRIC	THIRD ANGLE PROJECTION	
				DRAWN BY LNG	DATE 2007/11/26	TITLE IMPACT POWER, 3 PAIR RIGHT ANGLE HEADER PRESS-FIT		
				CHECKED BY ANG	DATE 2007/12/10	MOLEX INCORPORATED		
				APPROVED BY SHONG	DATE 2007/12/11	MATERIAL NO. SEE TABLE	DOCUMENT NO. SD-78211-002	SHEET NO. 1 OF 3
A4	REV	DRAFT WHERE APPLICABLE MUST REMAIN WITHIN DIMENSIONS		THIS DRAWING CONTAINS INFORMATION THAT IS PROPRIETARY TO MOLEX INCORPORATED AND SHOULD NOT BE USED WITHOUT WRITTEN PERMISSION				

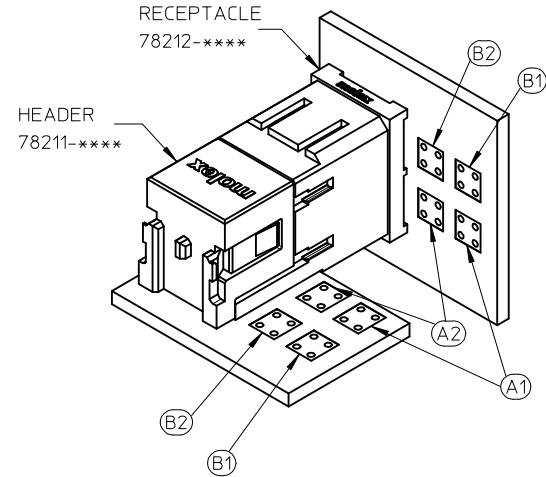
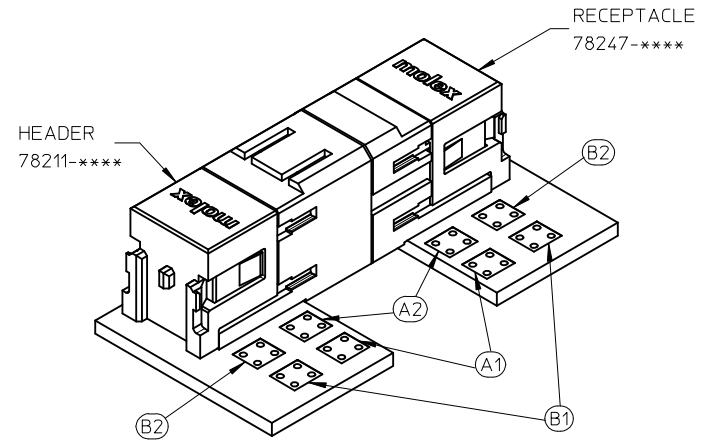


RIGHT ANGLE HEADER (78211) & RIGHT ANGLE RECEPTACLE (78247)

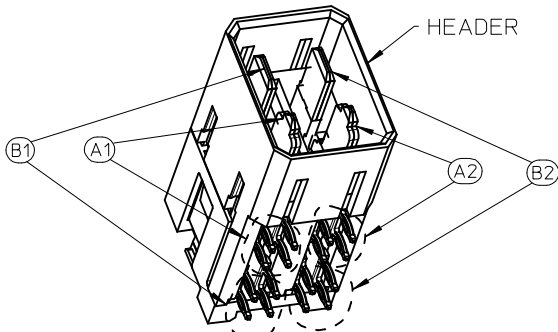


RIGHT ANGLE HEADER (78211) & VERTICAL RECEPTACLE (78212)

MATED SYSTEM OPTIONS WITH 78211



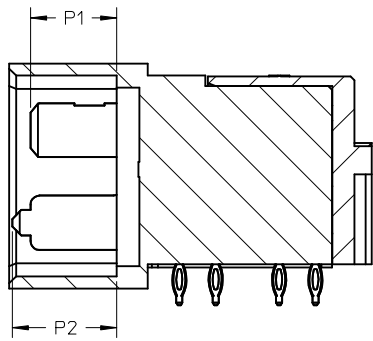
CIRCUIT PATH OF MATED SYSTEM



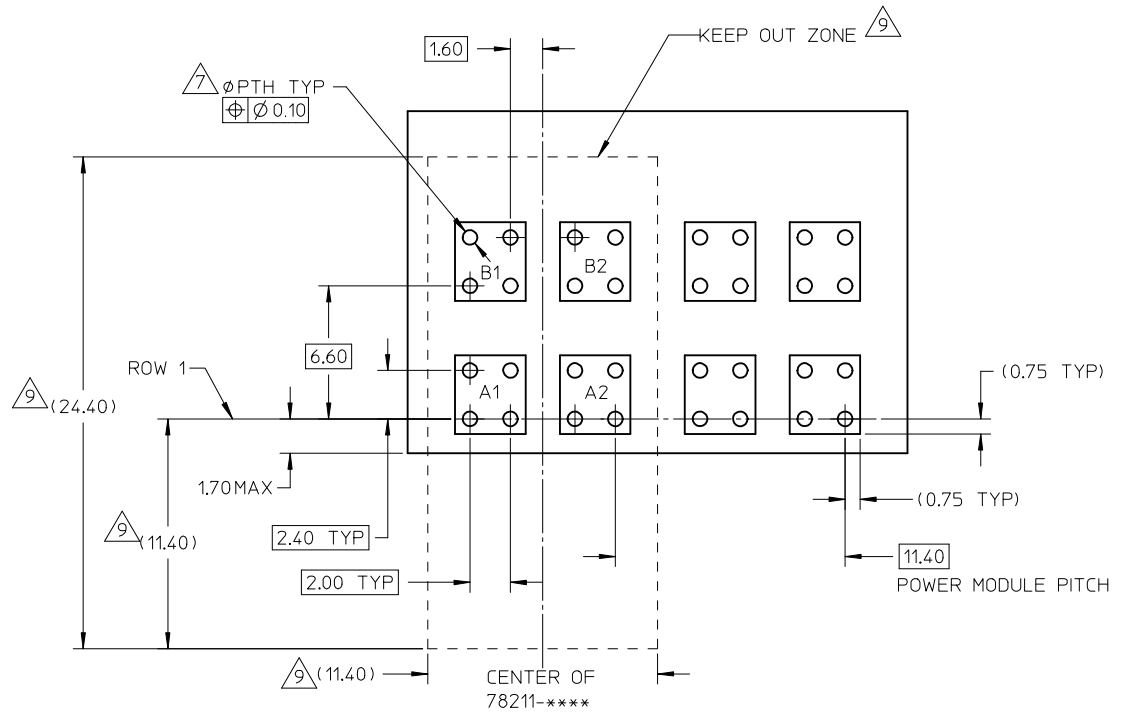
PIN NUMBER ASSIGNMENT FOR CIRCUIT PATH ON MATED SYSTEM IS BASED ON HEADER SIDE:
 A1, B1 ON THE LEFT,
 A2, B2 ON THE RIGHT.

CKTS PATH PINS NOS. EC NO: S2014-0872 DRWN: SHONG 2014/12/16 CHKD: HICGOH 2015/04/07 APPR: SHILENI 2015/04/07	QUALITY SYMBOLS ▽=0 ◻=0	GENERAL TOLERANCES (UNLESS SPECIFIED) mm INCH 4 PLACES ± --- ± --- 3 PLACES ± --- ± --- 2 PLACES ± 0.25 ± --- 1 PLACE ± --- ± --- ANGULAR ± 3 °	DIMENSION STYLE MM ONLY DRAWN BY: LNG DATE: 2007/11/26 CHECKED BY: ANG DATE: 2007/12/10 APPROVED BY: SHONG DATE: 2007/12/11	SCALE NTS	DESIGN UNITS METRIC	THIRD ANGLE PROJECTION
	TITLE IMPACT POWER, 3 PAIR RIGHT ANGLE HEADER PRESS-FIT					
	MOLEX INCORPORATED					
	DRAFT WHERE APPLICABLE MUST REMAIN WITHIN DIMENSIONS				MATERIAL NO. SEE TABLE	DOCUMENT NO. SD-78211-002

PART NUMBER	P1 (APPLIES TO B1 & B2)	P2 (APPLIES TO A1 & A2)	PLATING OPTIONS	PACKAGING
78211-1011	6.90	6.90	TIN PLATING	TRAY
78211-1022	5.70	5.70		
78211-1033	6.90	5.70		
78211-1044	5.70	6.90		



SECTION Z-Z



RECOMMENDED PCB LAYOUT
(COMPONENT SIDE SHOWN)
MINIMUM BOARD THICKNESS: 1.60mm

CKTS PATH PINS NOS EC NO: S2014-0872 DRWN: SHONG 2014/12/16 CHKD: HICGOH 2015/04/07 APPR: SILENI 2015/04/07	QUALITY SYMBOLS ▽=0 ◻=0	GENERAL TOLERANCES (UNLESS SPECIFIED)		DIMENSION STYLE MM ONLY		SCALE NTS	DESIGN UNITS METRIC	THIRD ANGLE PROJECTION		
			mm	INCH	DRAWN BY	DATE	TITLE			
		4 PLACES	± ---	± ---	LNG	2007/11/26	IMPACT POWER, 3 PAIR RIGHT ANGLE HEADER PRESS-FIT			
		3 PLACES	± ---	± ---	CHECKED BY	DATE				
2 PLACES	± 0.25	± ---	ANG	2007/12/10	MOLEX INCORPORATED					
1 PLACE	± ---	± ---	APPROVED BY	DATE						
ANGULAR ± 3 °		DRAFT WHERE APPLICABLE MUST REMAIN WITHIN DIMENSIONS		SEE TABLE		DOCUMENT NO.		SHEET NO.		
				MATERIAL NO.		SD-78211-002		3 OF 3		
				SIZE		THIS DRAWING CONTAINS INFORMATION THAT IS PROPRIETARY TO MOLEX INCORPORATED AND SHOULD NOT BE USED WITHOUT WRITTEN PERMISSION				
A4				A3						