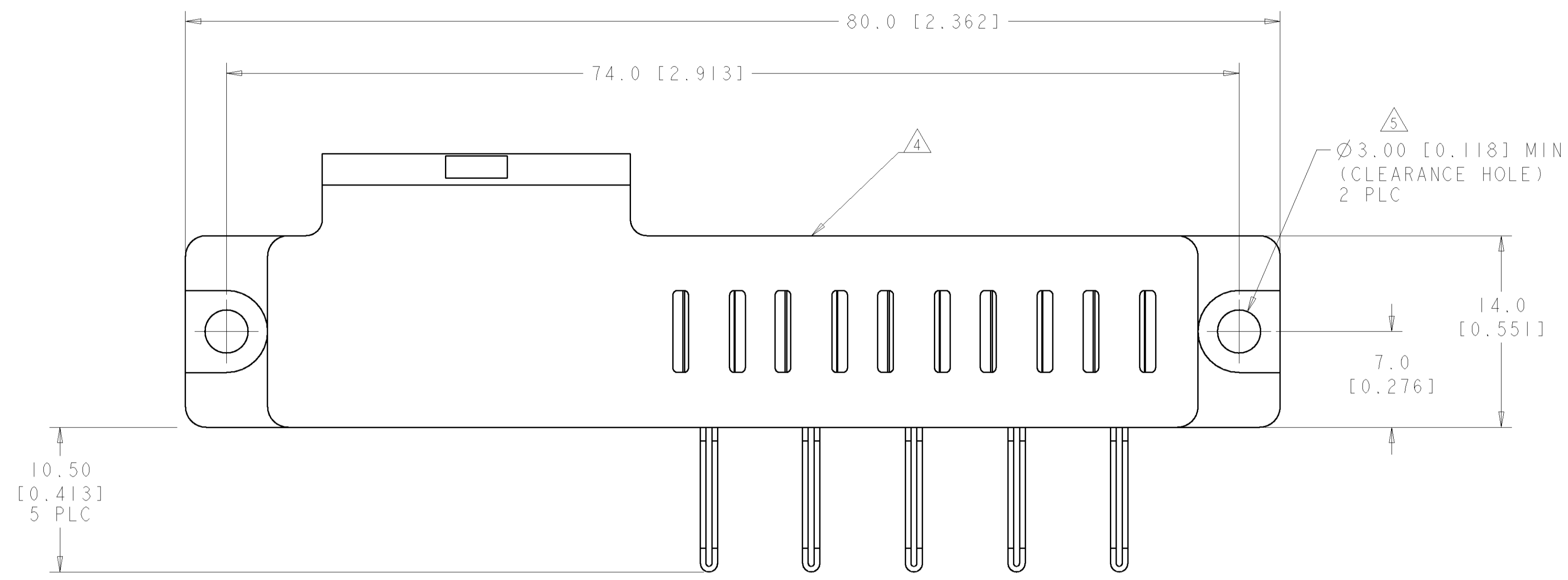


LOC	DIST	REVISIONS			
P	LTR	DESCRIPTION	DATE	DWN	APVD
A		RELEASED	20SEP2006	RG	DL



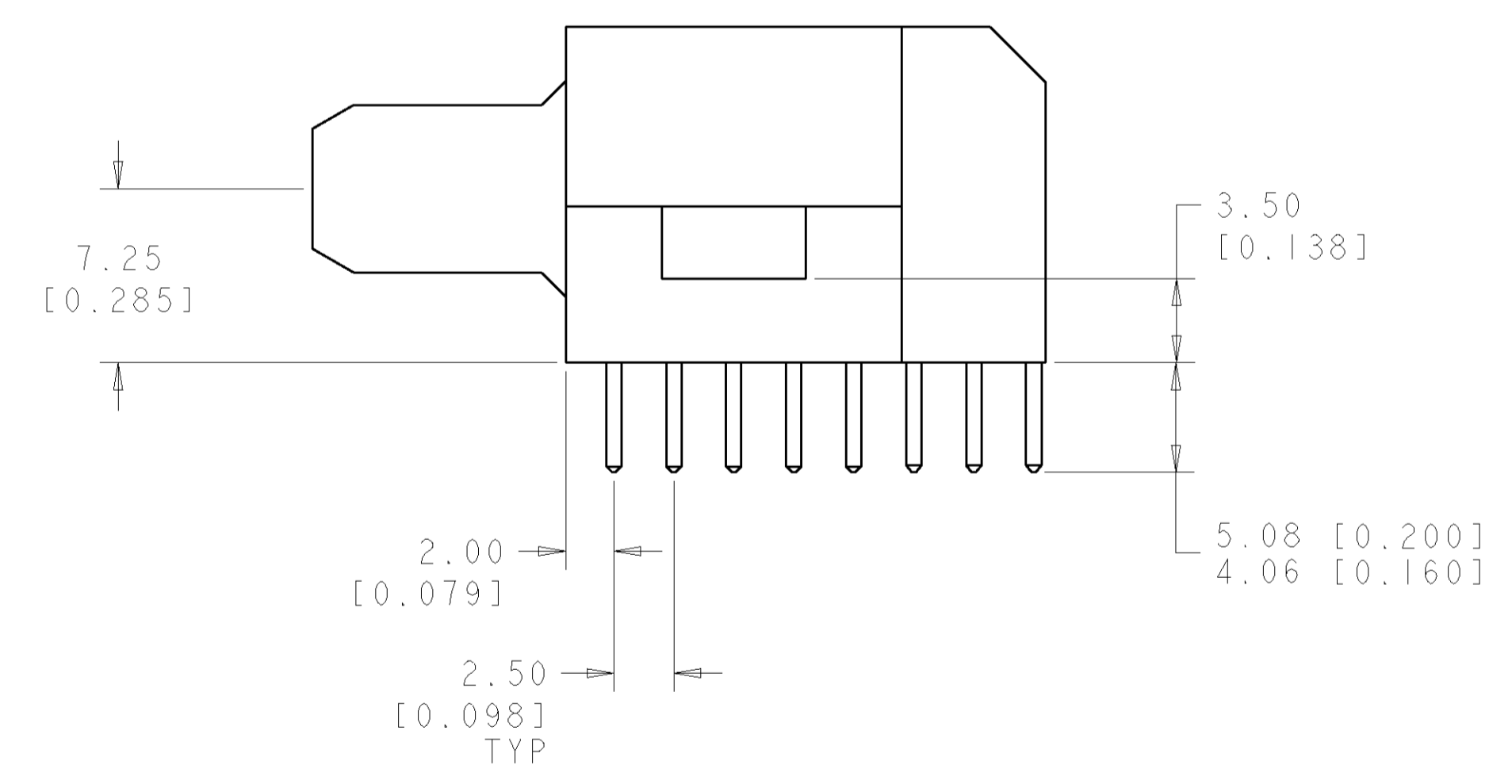
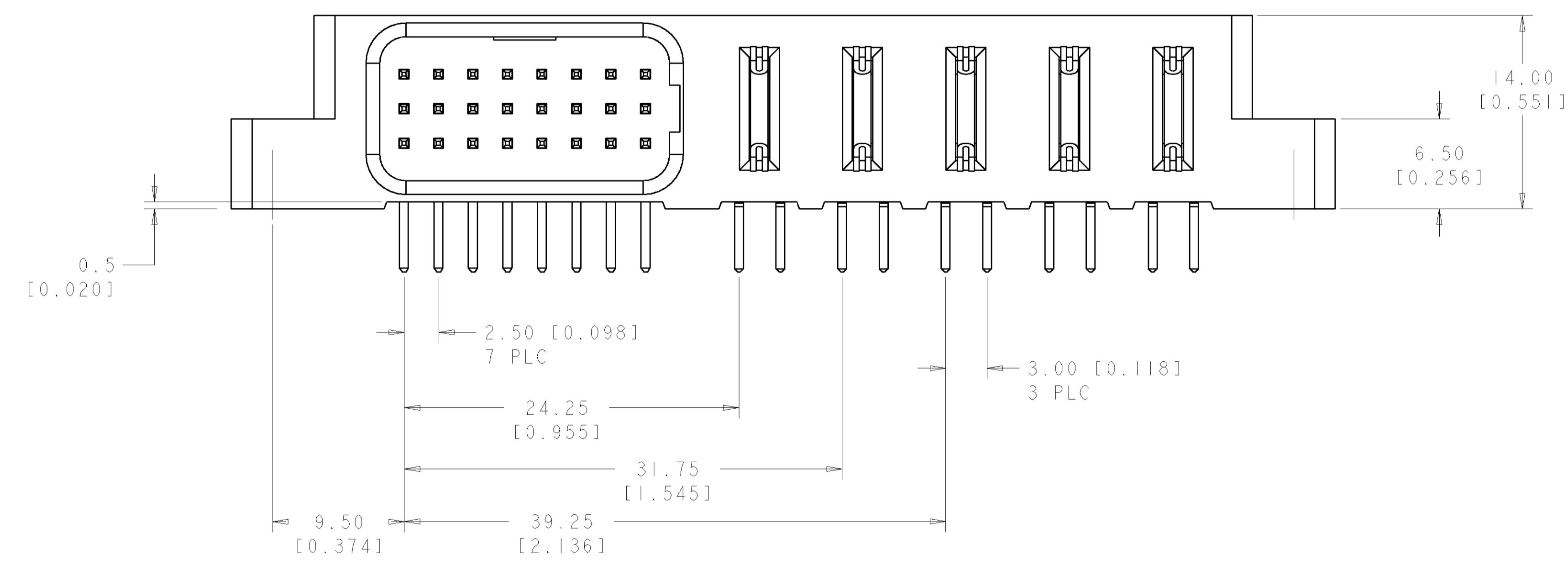
- PART NUMBER CHANGES AND OR DESIGN CHANGES AFFECTING ITEM INTERCHANGEABILITY REQUIRE PRIOR TYCO APPROVAL AND AUTHORIZATION BY REVISION TO THIS DRAWING.
- MATERIAL:
 - INSULATORS - THERMOPLASTIC, GLASS REINFORCED, COLOR: BLACK UL94V-0 FLAMMABILITY RATED.
 - POWER CONTACTS - PHOSPHOR BRONZE ALLOY, COPPER ALLOY
 - CROWN BANDS - BERYLLIUM COPPER ALLOY
 - SIGNAL CONTACTS - BRASS ALLOY
- FINISH:
 - CONTACTS - GOLD PLATE .000030 INCH MIN. THK., OVER NICKEL .000040 INCH MIN. THK SOLDER TAILS, TIN, .000100 INCH MIN. THK.

ITEMS PROVIDED TO THIS SPECIFICATION TO BE PERMANENTLY IDENTIFIED PER THE FOLLOWING IDENTIFIER LABEL

YEAR WEEK
 TYCO PART NO. DATE CODE (e.g. 0106)
 XXXXXXXX-X XXXX

MOUNTING FLANGES ACCEPTS M3 OR #4-40 SCREWS (USER SUPPLIED)

MATES WITH 6651647-1

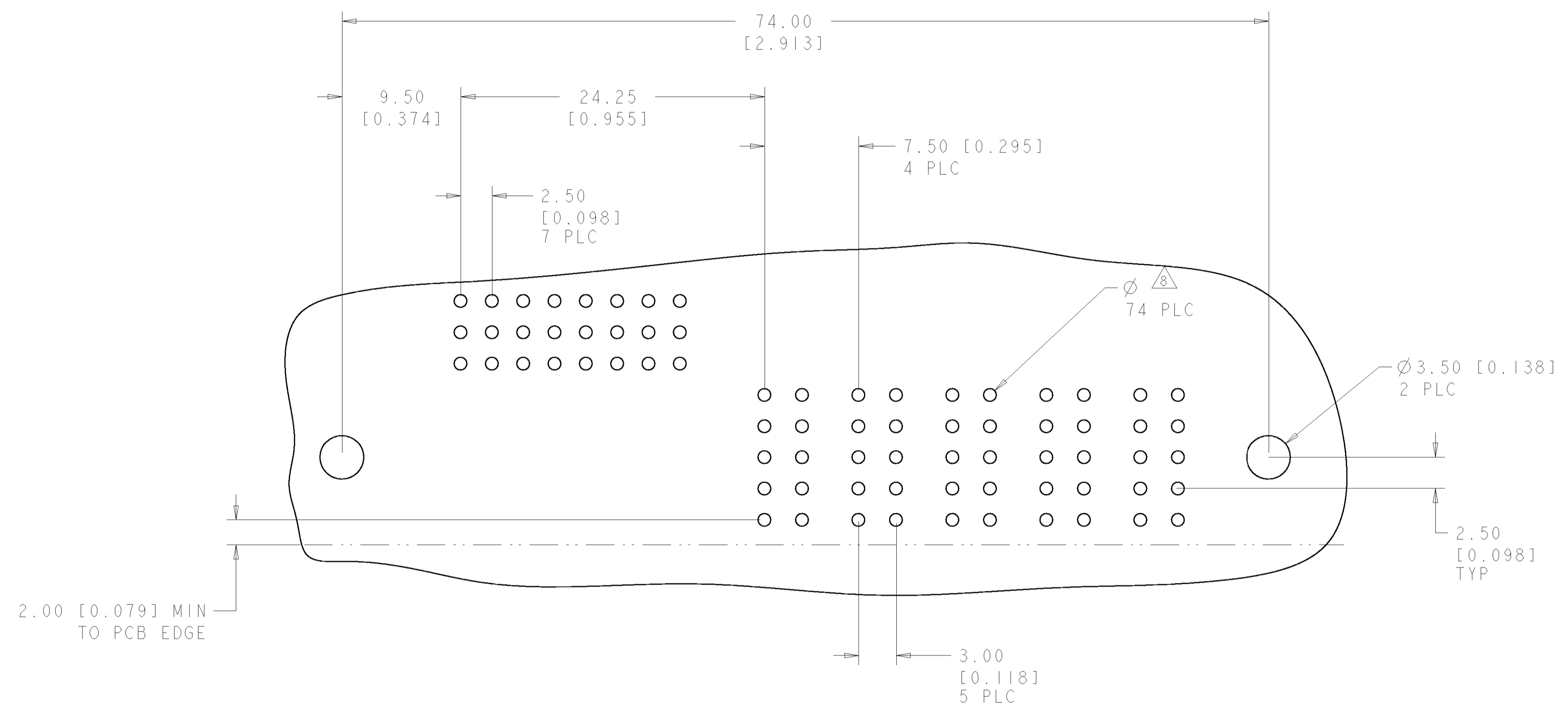


ELCON FLATPAQ

AS SHOWN	6651646-1
DESCRIPTION	PART NUMBER

DIMENSIONS: mm [INCHES] TOLERANCES UNLESS OTHERWISE SPECIFIED: 0 PLC ±.5 [0.020] 1 PLC ±.5 [0.020] 2 PLC ±.25 [0.010] 3 PLC ±.25 [0.010] 4 PLC ±.25 [0.010] ANGLES ±.5		DWN: B. GRZYBOWSKI ENR: D. LORD APVD: S. FLICKINGER PRODUCT SPEC: - APPLICATION SPEC: - WEIGHT: - CUSTOMER DRAWING: -	Z0SEPT06 Z0SEPT06 Z0SEPT06 NAME: S. FLICKINGER SIZE: A CAGE CODE: 00779 DRAWING NO: C=6651646 SCALE: 3:1 SHEET: 1 OF 3 REV: A	Tyco Electronics Harrisburg, PA 17105-3608 TOP ASSEMBLY CONNECTOR, PIN RIGHT ANGLE, SOLDER TAILS RESTRICTED TO
---	--	---	--	---

LOC	DIST	REVISIONS			
P	LTR	DESCRIPTION	DATE	DRN	APVD
-	-	SEE SHEET 1	-	-	-



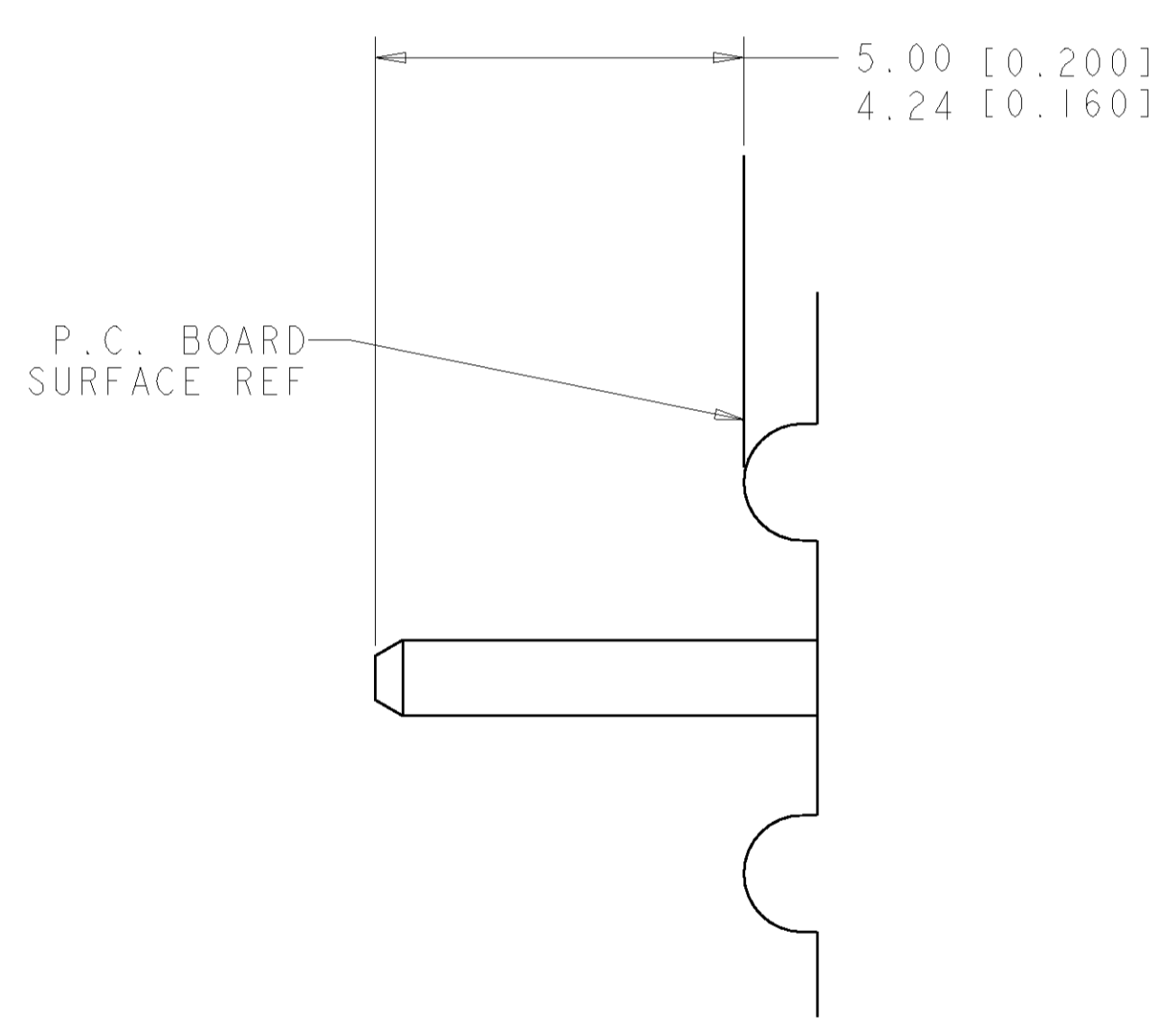
PRINTED CIRCUIT LAYOUT
 COMPONENT SIDE

CONNECTOR	CATALOG MODULE #	QTY	SIZE NO.	CONTACT QTY	MATING PIN	MAX. CURRENT (PER CONTACT)	CONTACT SPACING	VOLTAGE RATING
PIN	FP707	5	8	5	1.25 X 7.00 [.049 X .276]	35 amps	7.50 [.2953]	250
		1	22	24	.64 [.025] SQ.	3 amps	2.50 [.0984]	125 VOLTS

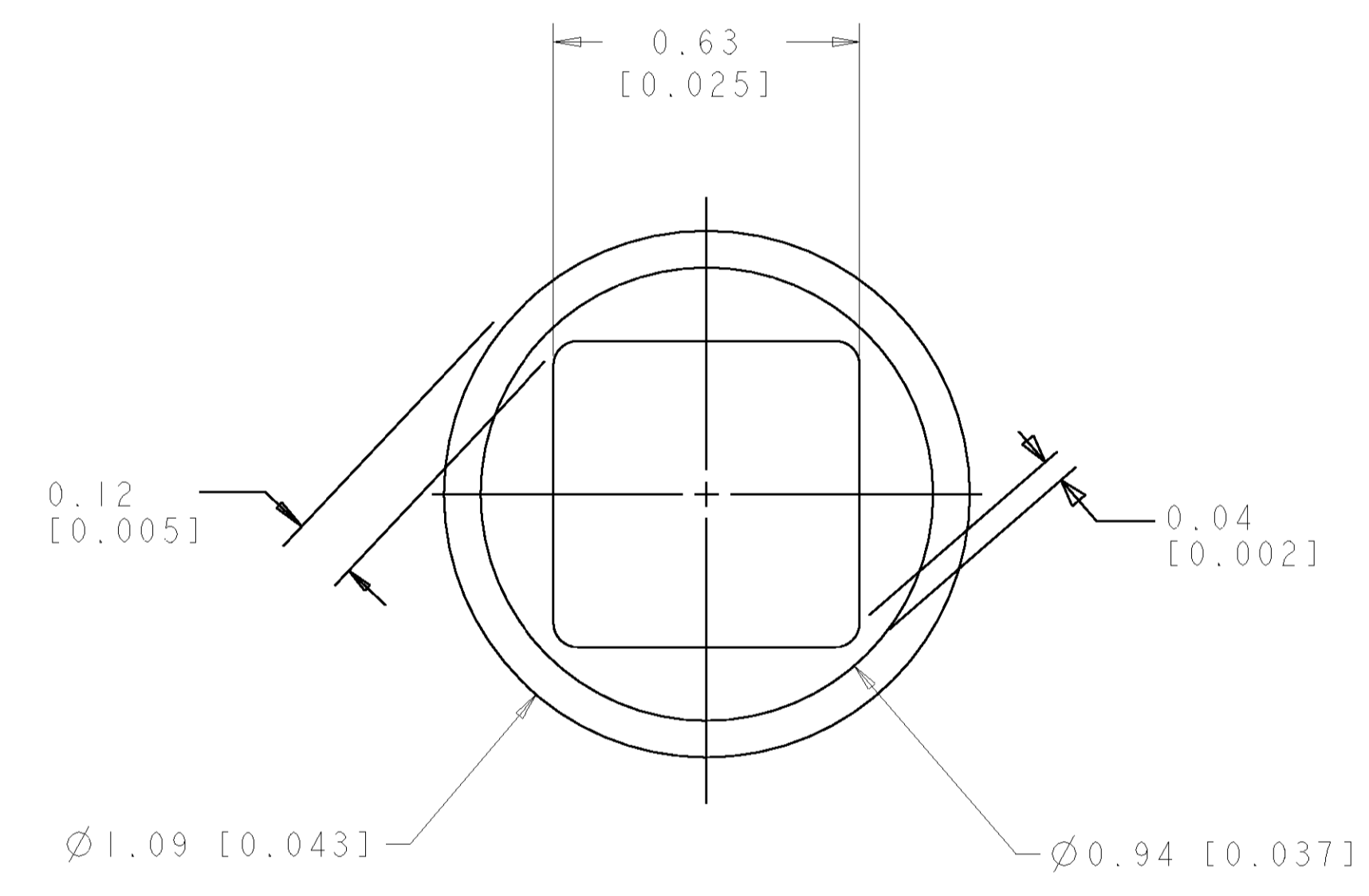
ELCON FLATPAQ

DIMENSIONS: mm [INCHES]		TOLERANCES UNLESS OTHERWISE SPECIFIED: 0 PLC ±.5 [.020] 1 PLC ±.5 [.020] 2 PLC ±.25 [.010] 3 PLC ±.25 [.010] 4 PLC ±.25 [.010] ANGLES ±.5		DRN: B. GRZYBOWSKI 20SEPT06 ENR: D. LORD 20SEPT06 APVD: S. FLICKINGER 20SEPT06		Tyco Electronics Harrisburg, PA 17105-3608	
MATERIAL: - FINISH: -		WEIGHT: - CUSTOMER DRAWING		NAME: TOP ASSEMBLY CONNECTOR, PIN RIGHT ANGLE, SOLDER TAILS PRODUCT SPEC: - APPLICATION SPEC: -		SIZE: A 00779 C=6651646 RESTRICTED TO: -	
SCALE: 3:1				SHEET: 2 OF 3		REV: A	

LOC	DIST	REVISIONS			
P.	LTR	DESCRIPTION	DATE	DNW	APVD
-	-	SEE SHEET 1	-	-	-



7. SOLDER TAIL DETAIL
SCALE 10 : 1



△ SOLDER TERMINATION AREA
 SCALE 40:1
 RECOMMENDED PRINTED SOLDER CIRCUIT HOLE
 FINISHED HOLE: Ø1.02 [.040] ±.008 [.0003]
 DRILLED HOLE: Ø1.15 [.0453] ±.013 [.0005]
 COPPER PLATE: .025 [.0010] MIN.
 TIN PLATE: .008 [.0003] MIN. (PER SURFACE)

<small>THIS DRAWING IS UNPUBLISHED. RELEASED FOR PUBLICATION. ALL RIGHTS RESERVED. THIS DRAWING IS THE PROPERTY OF TYCO ELECTRONICS CORPORATION. IT IS TO BE USED FOR THE SPECIFIC AND EXCLUSIVE ORGANIZATION TO WHICH IT IS CONTRACTED FOR THE LIFE OF THE ITEM.</small>		DWN B. GRZYBOWSKI Z0SEPT06 ENR D. LORD Z0SEPT06 APVD S. FLICKINGER Z0SEPT06	tyco Tyco Electronics Harrisburg, PA 17105-3608 Electronics
DIMENSIONS: mm [INCHES]	TOLERANCES UNLESS OTHERWISE SPECIFIED: 0 PLC ± 1 PLC ±.5 [.020] 2 PLC ±.25 [.010] 3 PLC ± 4 PLC ± ANGLES ±.5 FINISH	NAME PRODUCT SPEC APPLICATION SPEC WEIGHT CUSTOMER DRAWING	TOP ASSEMBLY CONNECTOR, PIN RIGHT ANGLE, SOLDER TAILS SIZE CAGE CODE DRAWING NO A100779C=6651646 RESTRICTED TO
MATERIAL - FINISH -		SCALE 3:1 SHEET 3 OF 3 REV A	SCALE 3:1 SHEET 3 OF 3 REV A