

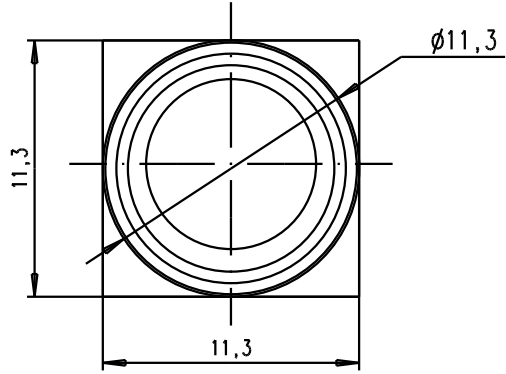
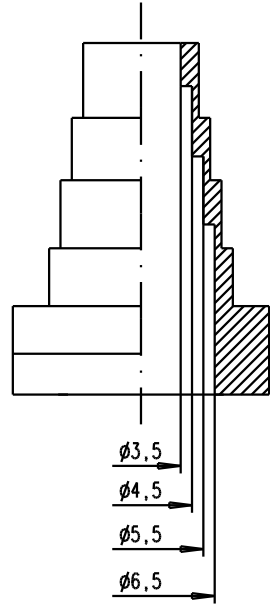
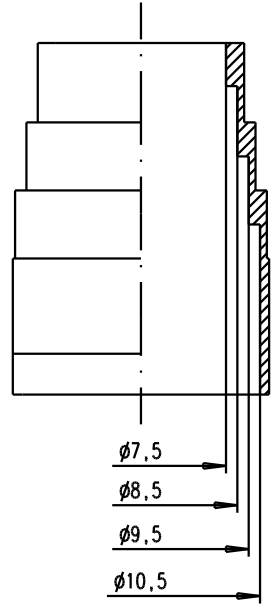
1 2 3 4 5 6

A

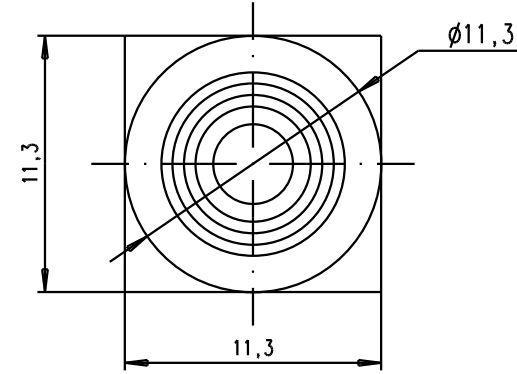
B

C



D



maximum cable outer ϕ
from 7,3 to 10,3 mm



maximum cable outer ϕ
from 3,3 to 6,3 mm

				Dat.	Name	 All Dim. in mm Orig. Size DIN A 4	Black Plastic Grommets for top entry hood	Maßstab/ Scale 3:1
			Detail.	15/09/04	TR			
			Insp.					
			Stand.					
32143	15/09/04	TR	HARTING EURL F-95972 Paris				TB 09 67 001 9968	Blatt/ Page 1 / 1
Mod.	Dat.	Name						