
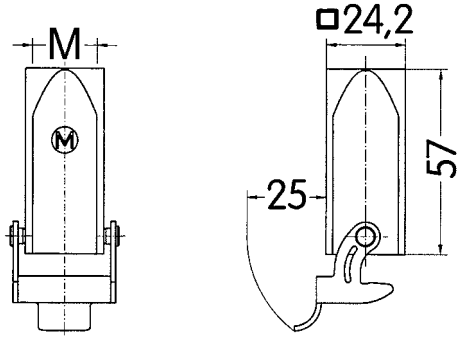

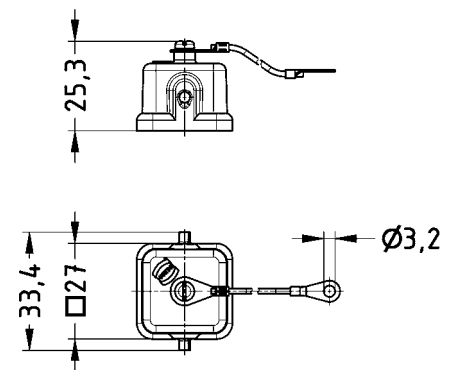

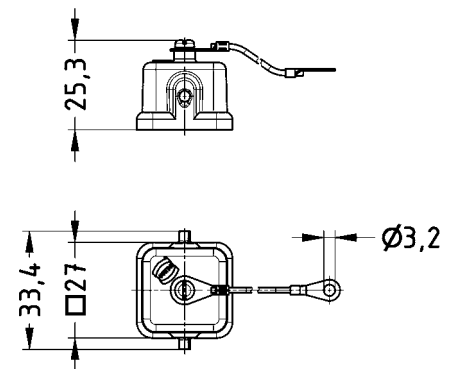



Identification	Cable entry	Part number	Drawing Dimensions in mm
<p>Han® M, Cable to cable housings, top entry</p> 	1xM20	19 37 003 1750	
<p>Han® M, Protection cover for housings, for mounted female insert, metal, with securing flex</p> 		09 37 003 5405	
<p>Han® M, Protection cover for housings, for mounted male insert, metal, with securing flex</p> 		09 37 003 5406	
<p>Han® M, Screw mounted housings, top entry</p> 	1xM20	19 37 003 1150	