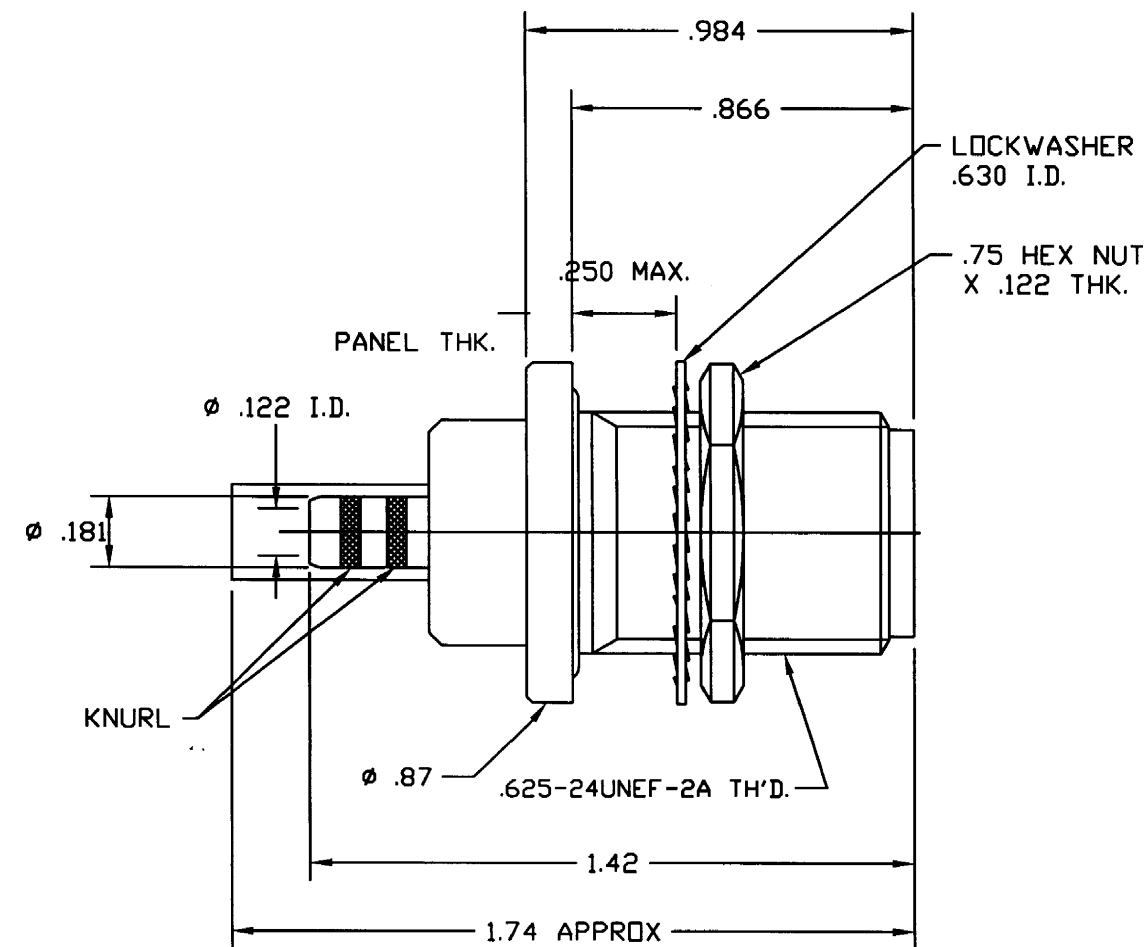
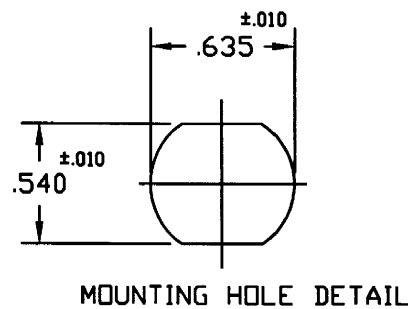
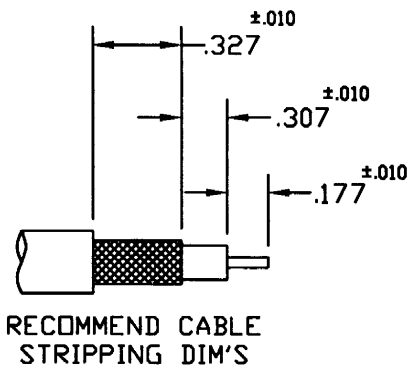
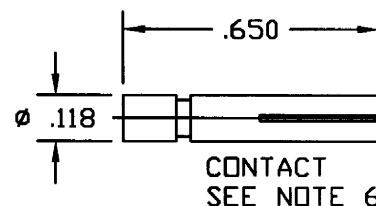
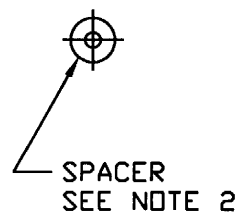
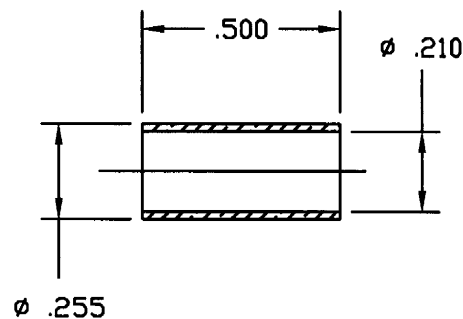


**NOTES:**

- BODY, LOCKWASHER & HEX NUT - BRASS, NICKEL PLATED (.000100 MIN).  
INSULATOR - TEFLON.  
CONTACT - PHOSPHOR BRONZE, GOLD PLATED (.000003 MIN).  
FERRULE - COPPER ALLOY, NICKEL PLATED (.000100 MIN).  
GASKET - SILICONE RUBBER.
- SPACER P/N 82-10828 IS SUPPLIED SEPARATELY.  
THIS ITEM IS USED DURING TERMINATION PROCESS TO BELDEN YR20621.
- CONNECTOR IS BULKPACKED 50 PCS PER BAG.
- USE AMPHENOL CRIMP TOOL CTL-3.
- AGCS PART NUMBER ME996100 21.
- CAPTIVATED CONTACT, .043 ENTRY.
- DO NOT SCALE THIS DRAWING.
- UNLESS OTHERWISE SPECIFIED, ALL DIMENSIONS ARE AFTER PLATING.

82-5378-RFX		REVISIONS			
DRAWING NO.	REV	DESCRIPTION	DATE	ECO	APPR
THIRD ANGLE PROJ.	A	OFFICIAL ENG. RELEASE TO MFG.	4/30/96	41293	CPM/
	B	SEE SHEET 1	11/14/01	43895	CPM/
	C	SEE SHEET 1	12-13-01	43913	CPM/



**CUSTOMER OUTLINE DRAWING**  
ALL OTHER SHEETS ARE FOR INTERNAL USE ONLY

UNLESS OTHERWISE SPECIFIED, DIMENSIONS ARE IN INCHES AND TOLERANCES ARE: 2 PLACE DECIMAL ±.015 (0,381 mm) 3 PLACE DECIMAL ±.005 (0,127 mm) ANGLES ± 1°	MATERIAL	DRAWN C. McGRATH	DATE 5/31/94	TITLE CRIMP 'N' BULKHEAD JACK FOR RG58/U, 58A/, 58B/U, 58C/U, 141/U, 141A/U & BELDEN YR20621 CABLES	<b>Amphenol</b> Amphenol Corporation RF/Microwave Operations Danbury, Conn. U.S.A. 06810	
	REFERENCE EAR 964467-0	ENGINEER D. ROYCE	DATE 4/29/96	APPROVED D. ROYCE		SCALE: 2:1
			APPROVED D. ROYCE	DATE 4/29/96	CODE ID 74868	SHEET 2 OF 2
			CAD FILE H:\DEPT611\N\082\ASSY\5378\RFXSHT2		DWG SIZE B	DRAWING NO. 82-5378-RFX
					REV C	