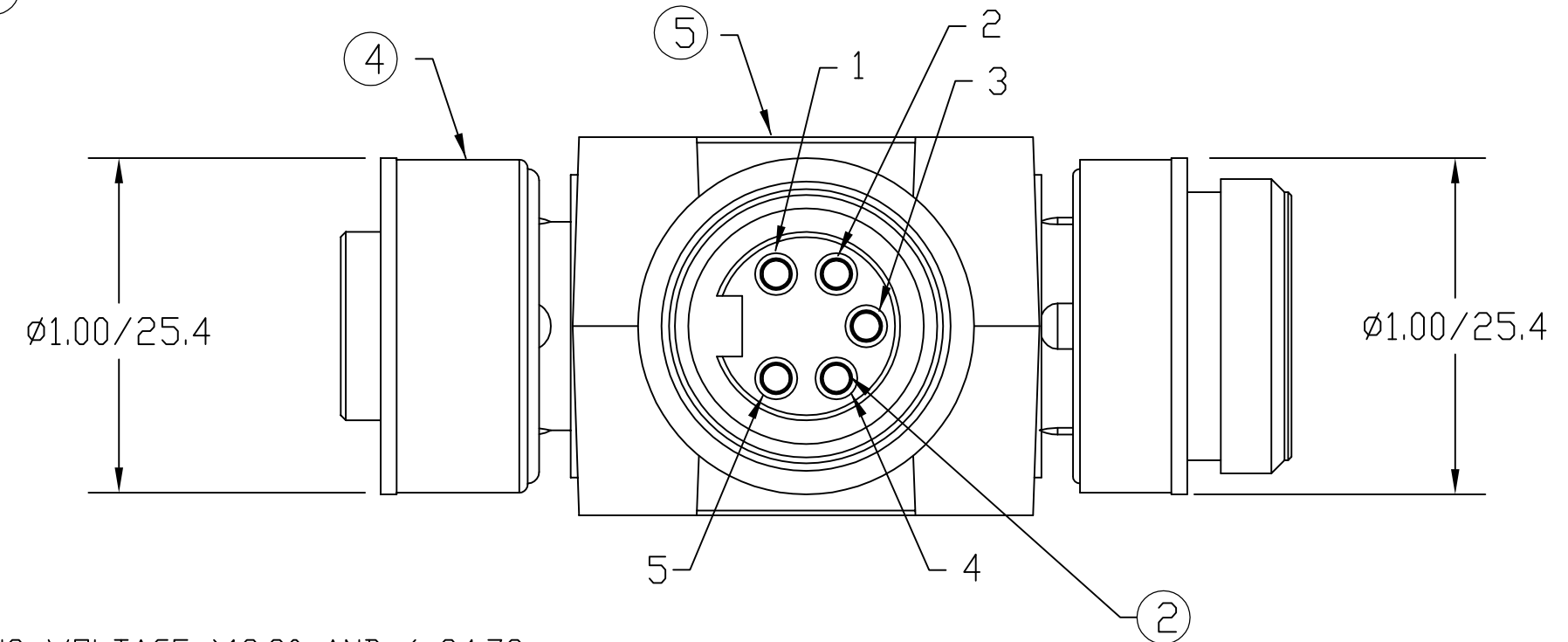
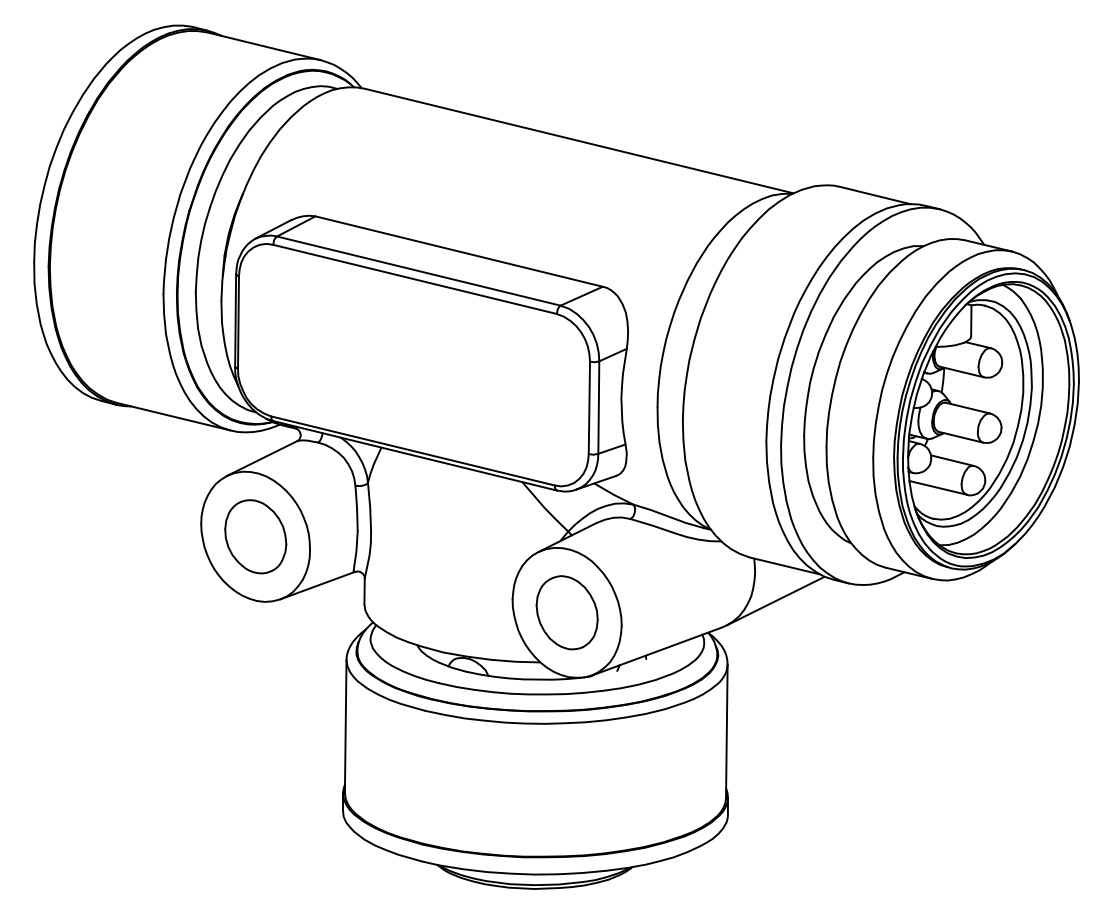
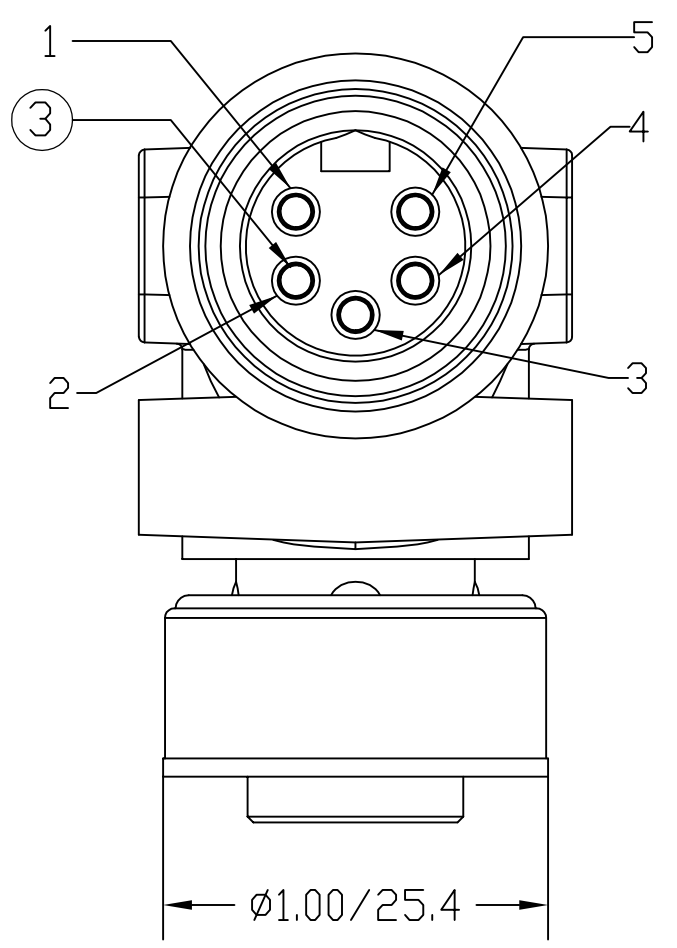
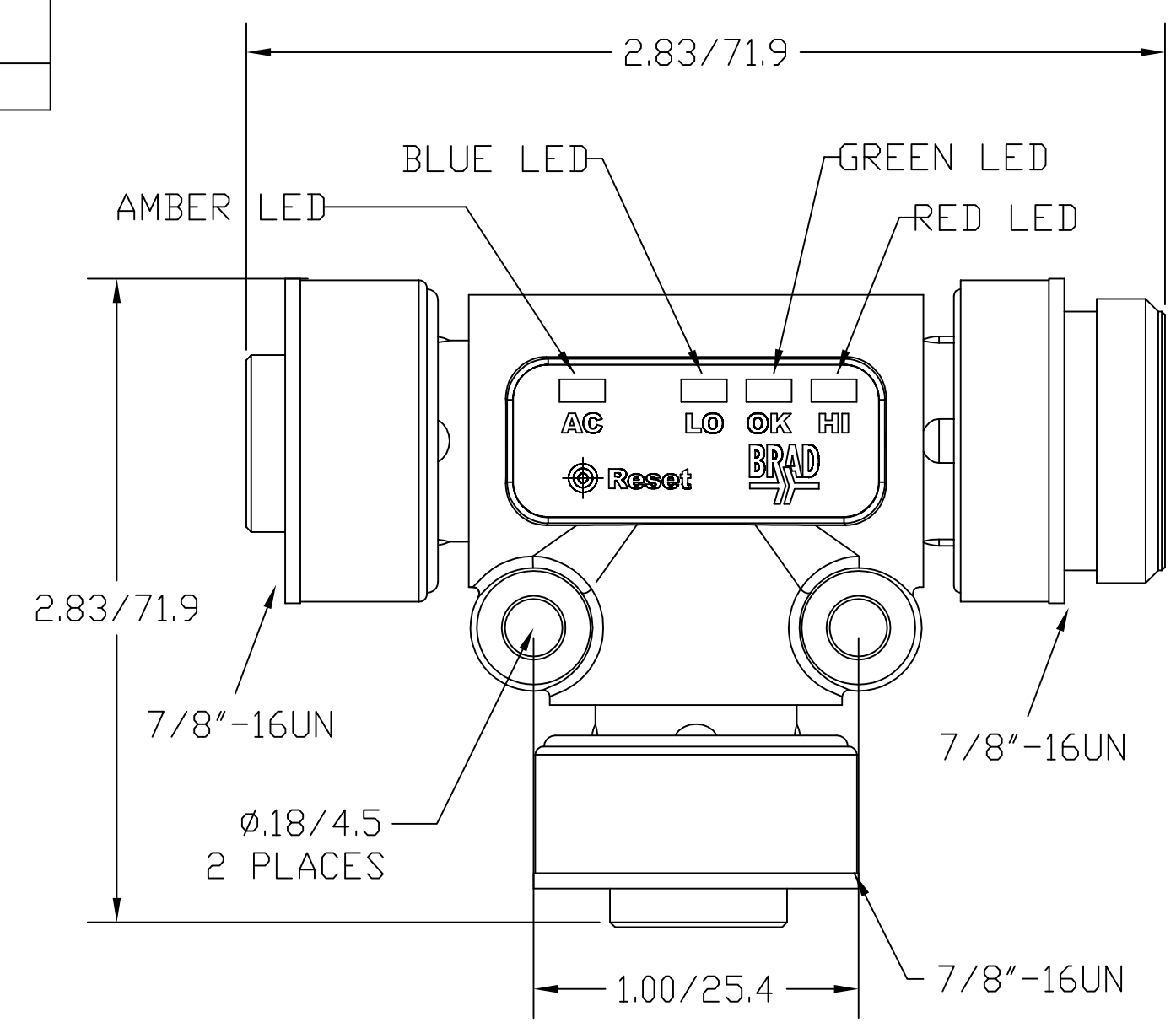
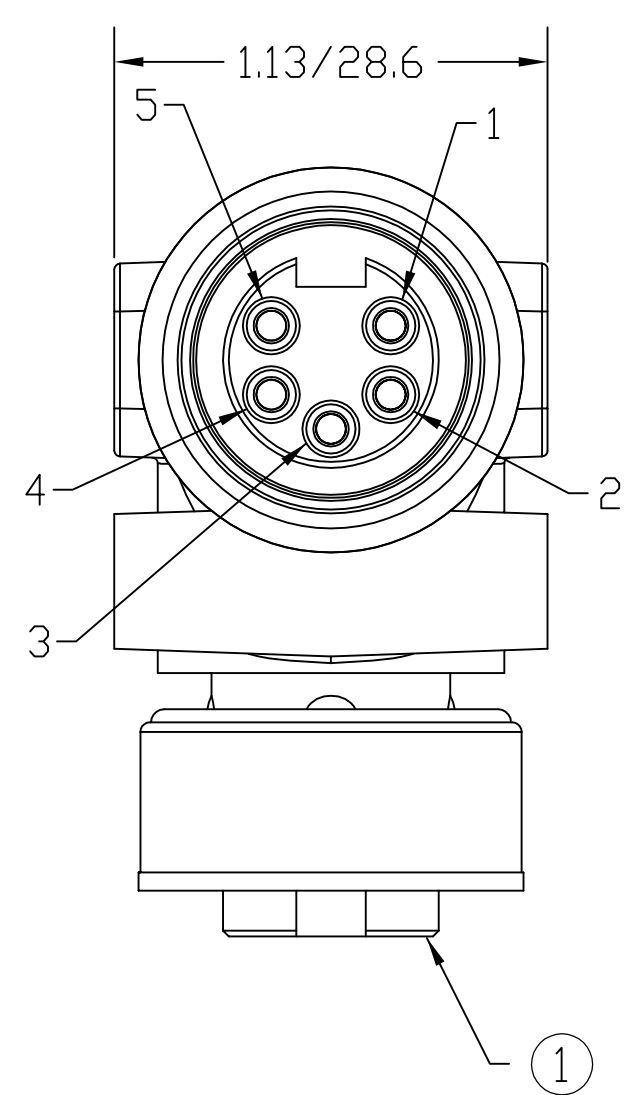
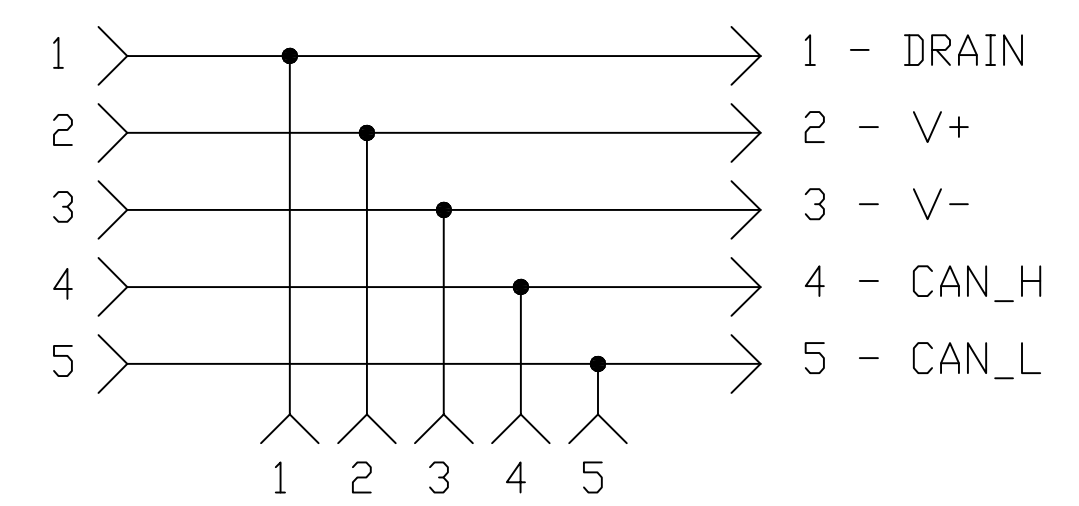


MATERIAL NUMBER	OLD PART NUMBER
130035-0061	DN3020PM-3



SCHEMATIC



LED FUNCTIONALITY:
 SOLID GREEN LED = BUS VOLTAGE >12.90 AND <=24.78
 FLASHING GREEN LED = BUS VOLTAGE WITHIN LIMITS OF SOLID GREEN OPERATION, BUT POWER HAS BEEN CYCLED WITHIN PREVIOUS 24 HRS
 FLICKERING RED LED = BUS VOLTAGE >24.78 (GREATER THAN 25.3 TO GUARANTEE DETECTION)
 FLASHING RED LED = BUS VOLTAGE >24.78 (25.3) WITHIN PREVIOUS 24 HRS
 FLICKERING BLUE LED = BUS VOLTAGE <12.90 (12.4)
 FLASHING BLUE LED = BUS VOLTAGE <12.90 (12.4) WITHIN PREVIOUS 24 HRS
 FLICKERING AMBER LED = BUS VOLTAGE HAS A REPEATED TRANSIENT VOLTAGE (BETWEEN 10Hz AND 250Hz) PRESENT THAT EXCEEDS THE DETECTION THRESHOLD (THRESHOLD LEVEL VARIES BY FREQUENCY)
 FLASHING AMBER LED = BUS VOLTAGE HAS EXPERIENCED A TRANSIENT OR RIPPLE AS SPECIFIED FOR FLICKERING AMBER CONDITION WITH PREVIOUS 24 HRS}

VOLTAGE RATING	30 VDC
PROTECTION	IP67
OPERATING TEMPERATURE	-20°C TO 80°C
UL CERTIFICATIONS	UL RECOGNIZED, FILE NO. E152210
CSA CERTIFICATIONS	CSA CERTIFIED, FILE NO. LR6837

ITEM	COMPONENT	MATERIAL	FINISH
1	INSERT	TPE	GRAY
2	CONTACT SOCKET	COPPER ALLOY	GOLD OVER NICKEL
3	CONTACT PIN	COPPER ALLOY	GOLD OVER NICKEL
4	COUPLING NUT	ZINC DIE CAST	BLACK E-COATED
5	OVERMOLD	TPE	GRAY

RLSO DRAWING
 EC NO: WNA2010-0120
 DRWN: BWOODMAN 8/24/09
 CH'KD: KJ
 APPR: JFMURPHY 2009/08/27
 REV A

QUALITY SYMBOL	GENERAL TOLERANCES (UNLESS SPECIFIED)	
	mm	INCH
▽=0	4 PLACES ±----	±----
▽C=0	3 PLACES ±----	±----
	2 PLACES ±----	±.01
	1 PLACE ±0.3	±----
	ANGULAR ±----°	
	DRAFT WHERE APPLICABLE MUST REMAIN WITHIN DIMENSIONS	

DIMENSION STYLE		SCALE	DESIGN UNITS	THIRD ANGLE PROJECTION
IN/MM		----	----	
DRAWN BY	DATE	TITLE		
BW	2009/08/24	DNET POWER MONITOR TEE DEVICENET		
CHECKED BY	DATE	-----		
JM	2009/08/24	MOLEX INCORPORATED		
APPROVED BY	DATE	MATERIAL NO.	DOCUMENT NO.	SHEET NO.
JFMURPHY	2009/08/26	1300350057	SD-130035-006	1 OF 1
SIZE	THIS DRAWING CONTAINS INFORMATION THAT IS PROPRIETARY TO MOLEX INCORPORATED AND SHOULD NOT BE USED WITHOUT WRITTEN PERMISSION			
C				