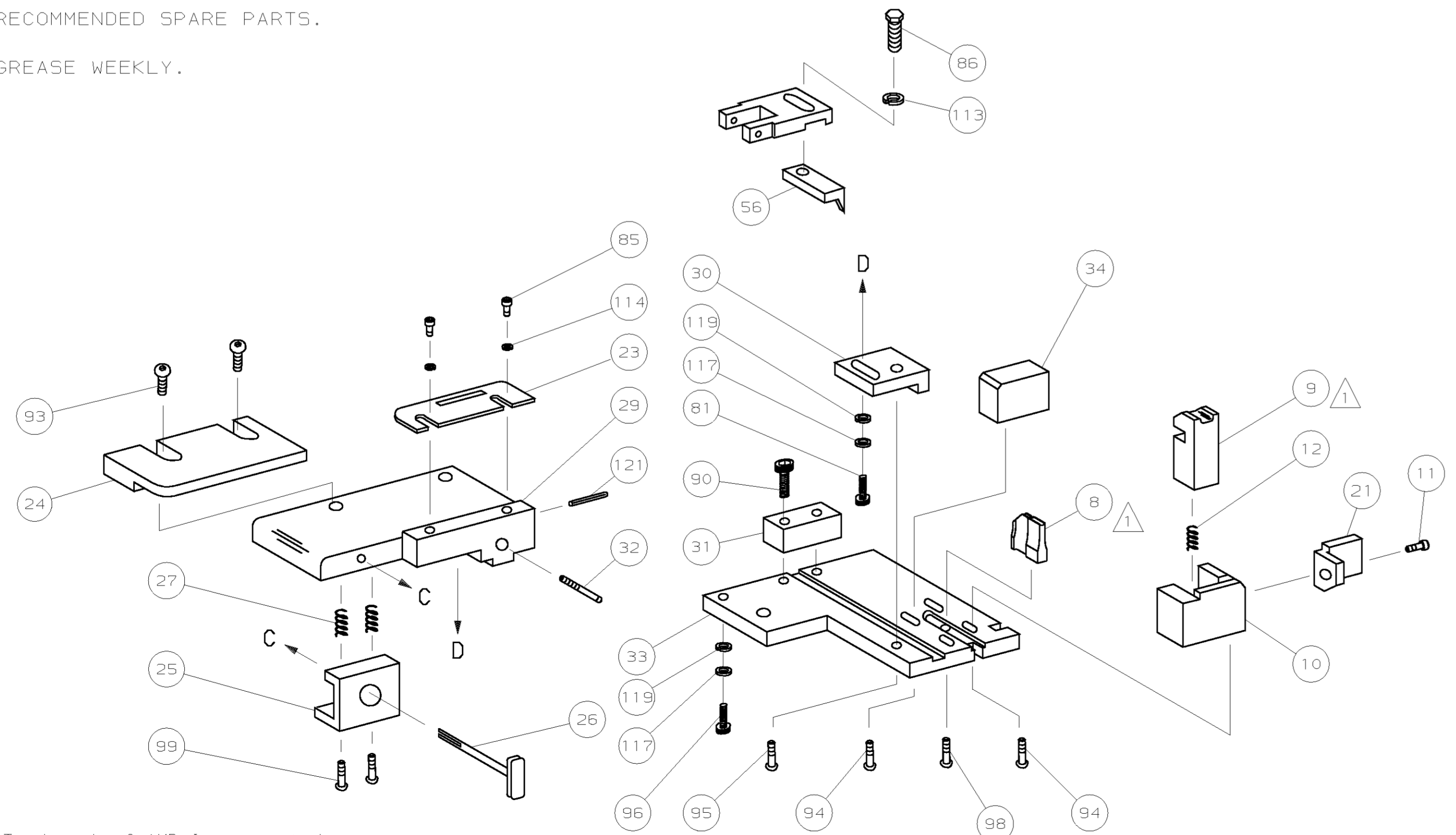


NOTES:
 1 RECOMMENDED SPARE PARTS.
 2 GREASE WEEKLY.



1	690701-2	PLATE, ID	124						59
			123						58
			122						57
1	4-21028-0	PIN,SLT SPR(.093x.75)ST GUIDE PL	121	REF	694433-8	PAWL, FEED			56
			120						55
2	21899-2	WASHER,FLAT(NO.10) S.G. ADJ. BLOCK	119						54
			118						53
2	21024-5	WASHER,LOCK(NO.10)ADJ BLOCK	117						52
			116	1	811242-2	BUMPER, HOLDDOWN			51
			115	1	690753-1	SPACER, TONKER			50
2	21024-2	WASHER,LOCK(NO.4)FRONT STRIP GUIDE	114	1	7-21002-9	BOLT, CRIMPER(5/16-24x1.00)			49
REF	21024-4	WASHER,LOCK(NO.8)FEED FINGER	113	1	690602-6	CAM, PRE FEED 1.62 STROKE			48
2	21024-4	WASHER,LOCK(NO.8)DEP-HOLD	112						47
REF	21024-4	WASHER,LOCK(NO.8)STRIPPER	111						46
			110	1	690191-1	PLUG, NYLON			45
			109	1	455673-1	RAM			44
1	21018-5	NUT,HEX(NO.6)HOLDDOWN	108	1	690125-1	WASHER, LAMINATED			43
			107	1	690124-1	WASHER, RAM			42
			106						41
			105	2	23241-6	BALL, STEEL			40
			104	2	690170-1	SPRING, COMPRESSION			39
1	21009-2	SCR,SKT SET(1/4-20x.25LOC-WEL)RAM	103	1	690142-1	DISC, INSULATION			38
			102	1	3-690692-2	DISC, WIRE			37
4	21017-2	SCR,DRIVE(#2x.19)ID PLATE	101	1	22480-5	WASHER, SPRING			36
1	819347-1	PLATE, ID	100	1	690212-1	POST, RAM			35
2	3-21002-0	SCR,BHC(10-32x.88)DRAG	99	1	690786-3	SUPPORT, TERMINAL			34
1	22733-8	SCR,BHC(8-32x.38LOC-WEL)ANVIL	98	1	462544-1	PLATE, BASE SPECIAL			33
			97	1	690432-3	SCREW, ADJUSTMENT			32
1	3-21000-8	SCR,SKT CAP(10-32x.88)MOUNTING	96	1	462543-1	BLOCK, SCREW SPECIAL			31
4	2-22733-1	SCR,BHC(10-32x.50)SG ADJ BLOCK	95	1	455689-1	BLOCK, STRIP GUIDE ADJ			30
4	22733-9	SCR,BHC(8-32x.50)SHEAR-TERM SUP	94	1	2-455671-1	PLATE, STRIP GUIDE			29
2	2-21002-2	SCR,BHC(8-32x.50)R STRIP GUIDE	93						28
			92	2	1-22284-0	SPRING, DRAG			27
1	1-21002-7	SCR,BHC(6-32x.50)CAM	91	1	690546-1	LEVER, DRAG RELEASE			26
4	2-21000-7	SCR,SKT CAP(8-32x.50)SCR BLOCK	90	1	240792-1	DRAG, STOCK			25
			89	1	5-690504-9	GUIDE, STRIP (REAR)			24
			88	1	690438-1	GUIDE, STRIP (FRONT)			23
			87						22
1	2-22603-0	SCR,HEX HEAD(8-32x.31)FEED FINGER	86	1	463756-1	GUIDE, SCRAP			21
2	1-21000-3	SCR,SKT CAP(4-40x.25)F STRIP GUIDE	85						20
REF	2-21002-1	SCR,BHC(8-32x.38)STRIPPER	84	REF	462615-1	STRIPPER			19
			83						18
			82						17
1	3-21000-4	SCR,SKT CAP(10-32x.38)SG ADJ BL	81						16
			80						15
			79						14
			78						13
2	463310-6	BLADE, STRIPPING (#22)	77	1	5-22280-0	SPRING, SHEAR			12
			76	1	690461-2	STOP, SHEAR (FRONT)			11
			75	1	462548-1	HOLDER, SHEAR (FRONT)SPECIAL			10
2	690603-1	SPRING, ASSIST	74	1	462547-1	SHEAR, FLOAT (FRONT)SPECIAL			9
2	23030-1	SCR,SKT CAP(6-32x.25)CP DISC	73	1	9-458834-0	ANVIL			8
			72						7
			71						6
			70	1	462838-1	DEPRESSOR, SHEAR (FRONT)SPECIAL			5
			69	1	1-238011-3	SPACER, TUBULAR			4
			68	1	4-456135-5	CRIMPER, INSULATION			3
			67	1	455888-3	SPACER, CRIMPER			2
			66	1	1-456402-9	CRIMPER, WIRE			1

QTY	PART NO	DESCRIPTION	ITEM NO
		VISIBLE	CRIMPING DATA
		PAD LTR	CRIMP HEIGHT
		A	.029±.002
		B	NOT USED
		C	.035±.002
		D	.032±.002
		CRIMP SIZE	TYPE
		WIRE .055	F
		INSUL .070	0
		WIRE RANGE	INSULATION RANGE
		20-26	.061-.044
		FEED	APPL INST
		.250	A I -
		REMARKS	MACHINE NO
			463345-2

REMARKS		NO	REV
TO APPLY TERMINAL SPEC 114-5035			
APPL USED ON MACHINE PART NO	MACH SERIAL NO	DISTRIBUTION	
CUSTOMER NAME	APPL SERIAL NO	ORIGINAL	
ADDRESS	PURCHASE ORDER	CUSTOMER COPY	
CITY	ENG APP	FIELD ENG COPY	

SET UP GAGE		10-1	1065A	AMP INCORPORATED	
DR 9/5/90		APP-	JIM RUSS	Harrisburg, Pa.	
CHK 9-8-90		REL 2-14-91	F. HARTZ	LOC A	D
REV B		ECN 0150-0221-05	TE	3-05	NO 466994-1
REV A		ECN A-394892			
REV 01		ECN A-285891	PM	1-91	
NAME		AMPOMATIC STRIPPER CRIMPER APPLICATOR			
SIDE FEED		(CONTACT AMP SNAP IN)			

THIS DRAWING IS A CONTROLLED DOCUMENT.

THIS DRAWING IS UNCLASSIFIED... AMP INCORPORATED