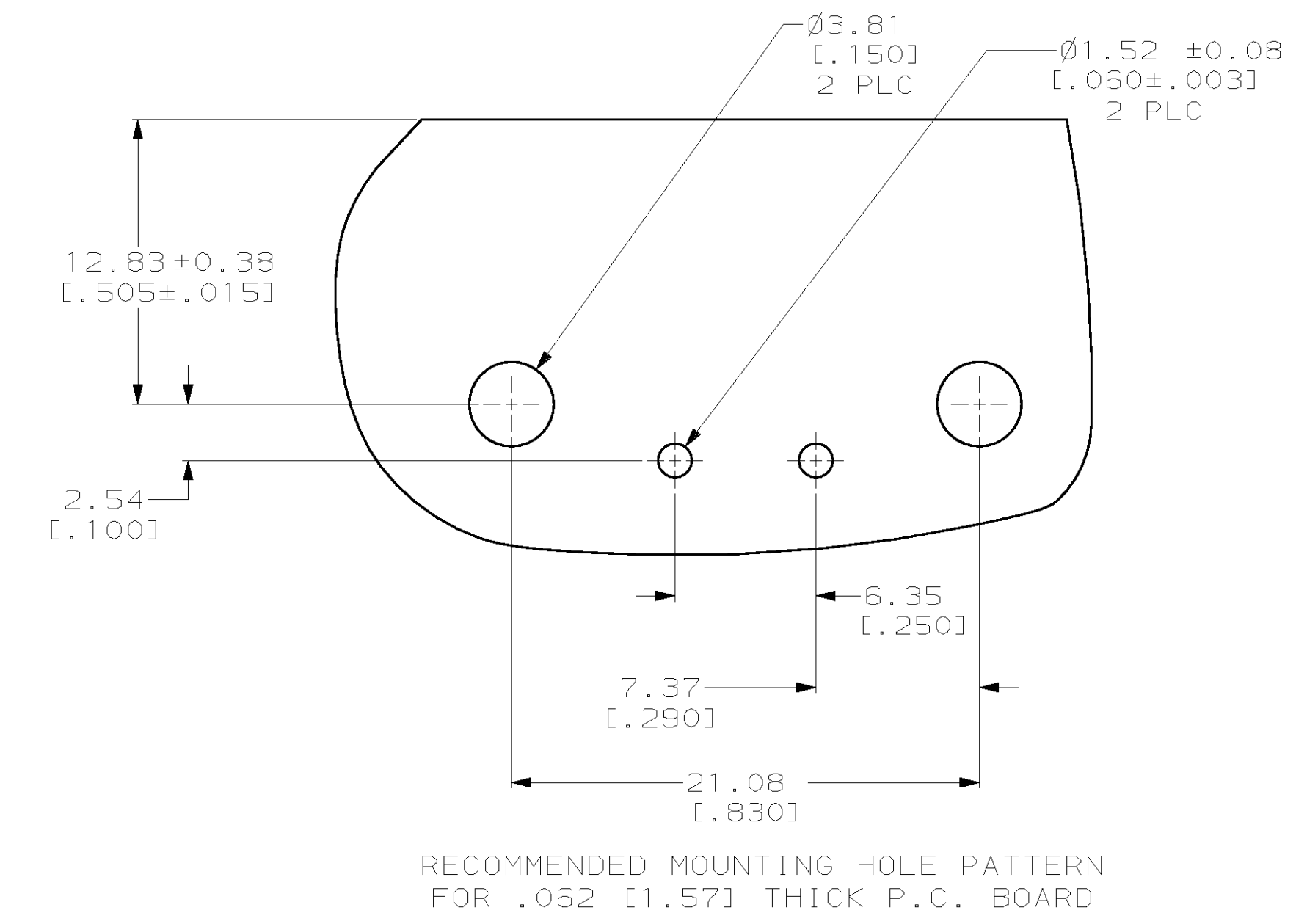
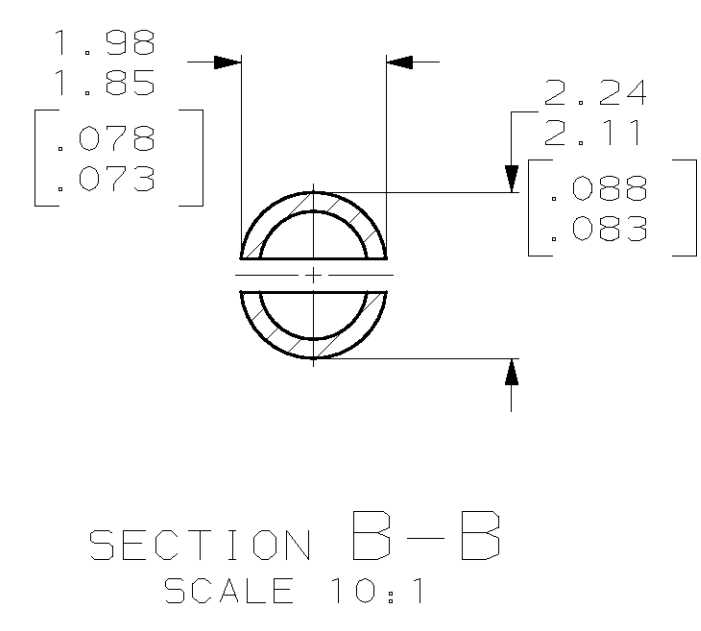
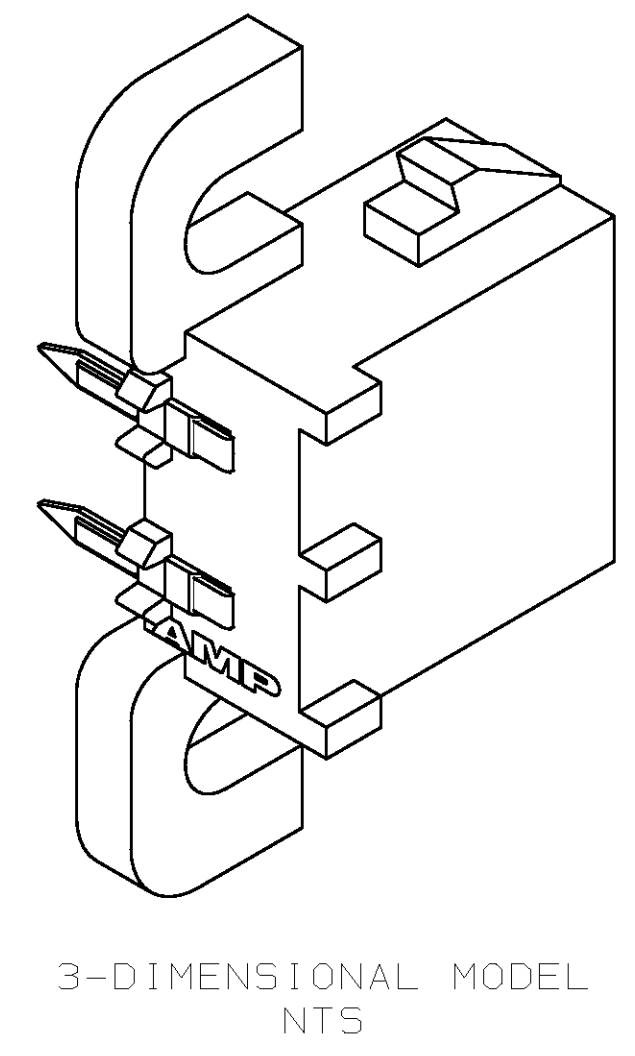
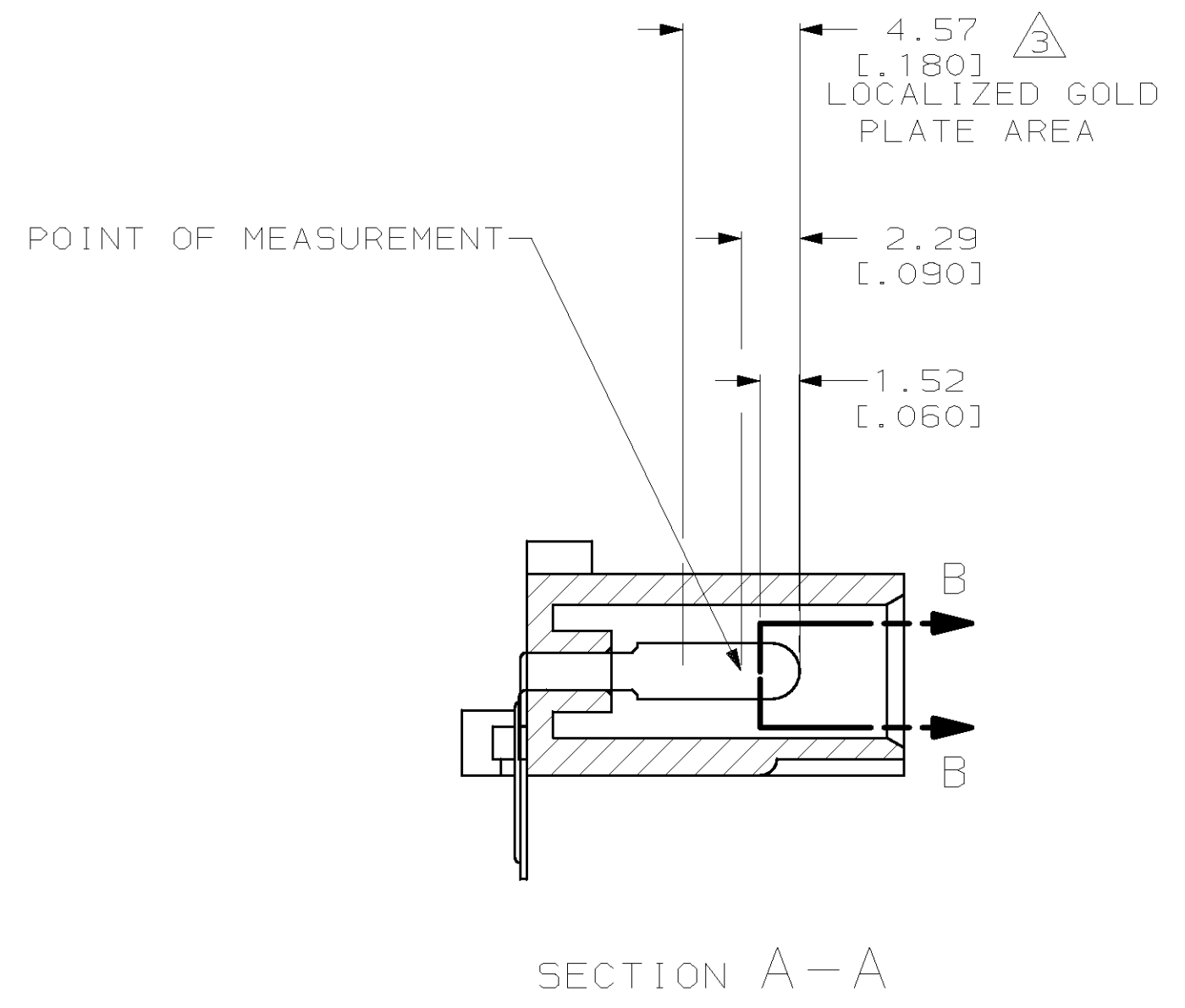
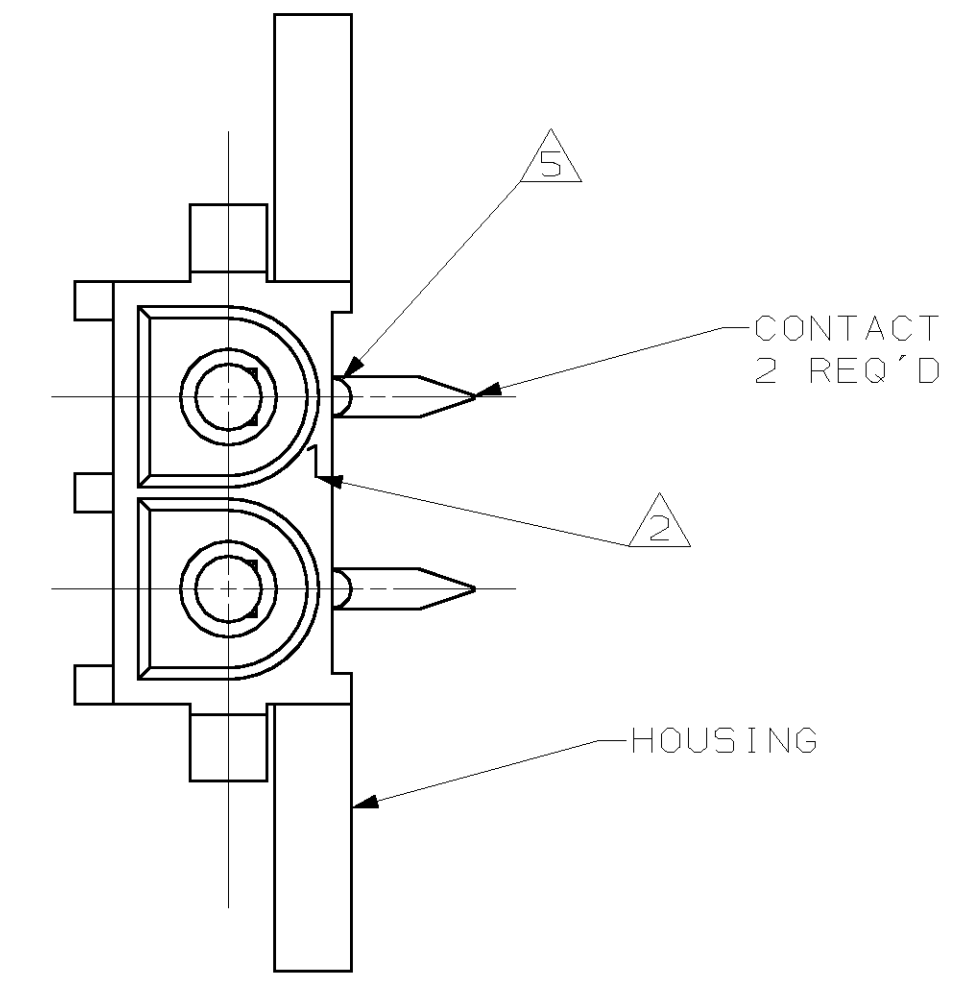
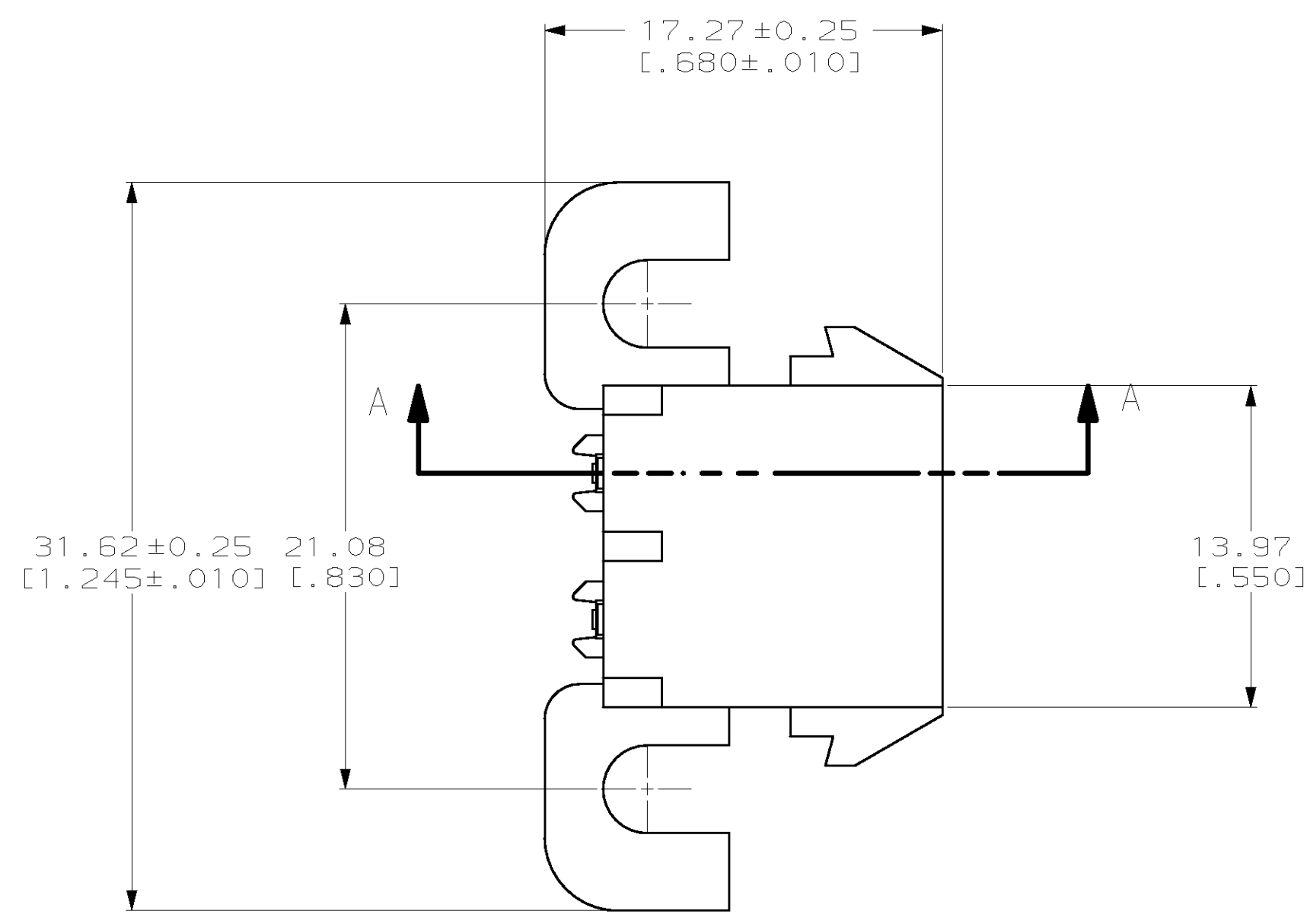
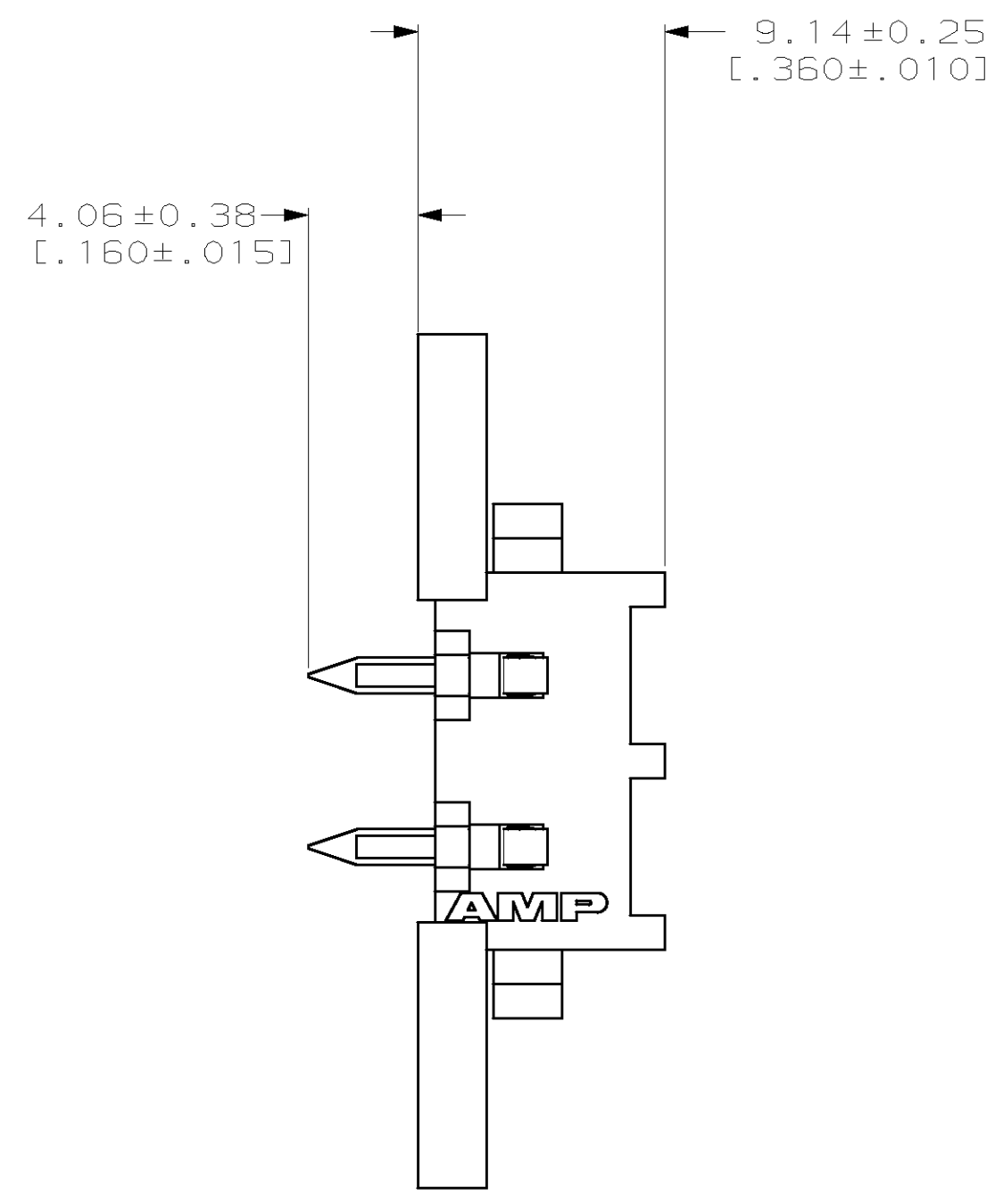


REV. NO.		REVISIONS			
LOC	QTY	DATE	DESCRIPTION	DATE	BY
CM	53	K	REV & REDWN PER EC 0618-0126-98	4-30-98	BL

- PARTS COMPLY WITH AMP SOLDERABILITY SPECIFICATION 109-11-5.
- CIRCUIT IDENTIFICATION CHARACTERS ARE ADJACENT TO THE INDICATED CAVITIES, BUT LOCATION AND ORIENTATION MAY DIFFER FROM PRINT.
- CONTACT IS PLATED OVERALL WITH 0.00127 [0.00050] MIN NICKEL, THEN 0.00076 [0.00030] GOLD OVER CONTACT LENGTH INDICATED AND MATTE TIN FINISH ON SOLDER TAIL END.
- DIMENSIONS IN BRACKETS ARE IN INCHES.
- OPTIONAL CONSTRUCTION MAY DELETE THIS RIB.



PH BRZ GOLD	NYLON UL 94V-0	2-350942-0
PH BRZ TIN	NYLON UL 94V-0	1-350942-0
CONTACT	HOUSING	PART NO

THIS DRAWING IS A CONTROLLED DOCUMENT.

DIMENSIONS IN INCHES	TOLERANCES UNLESS OTHERWISE SPECIFIED	OWN: B. LEWIS	DATE: 4-30-98
1 PLC ±	1 PLC ±	CHK: R. SWING	DATE: 4-30-98
2 PLC ±	2 PLC ±	APVD: K. CORLE	DATE: 4-30-98
3 PLC ±0.13(0.005)	3 PLC ±	PRODUCT SPEC	NAME: PIN HEADER ASSEMBLY, RIGHT ANGLE MOUNT, 2 POSITION, UNIVERSAL MATE-N-LOK™
4 PLC ±	4 PLC ±	APPLICATION SPEC	SIZE: SCALE CODE DRAWING NO
ANGLES UNLESS OTHERWISE SPECIFIED	ANGLES UNLESS OTHERWISE SPECIFIED	HEIGHT	A100779 350942

CUSTOMER DRAWING SCALE 4:1 SHEET 1 OF 1 REV K

METRIC