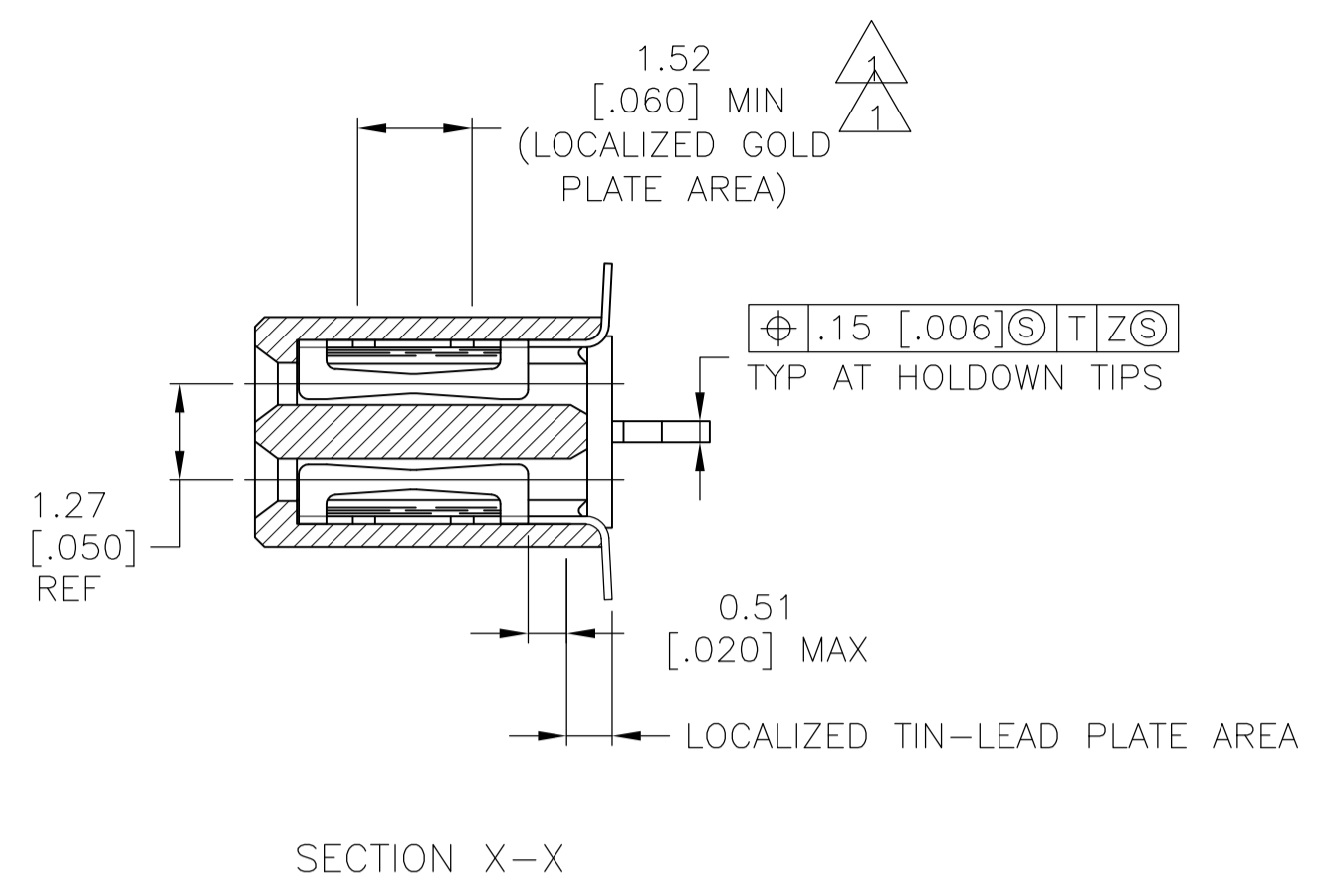
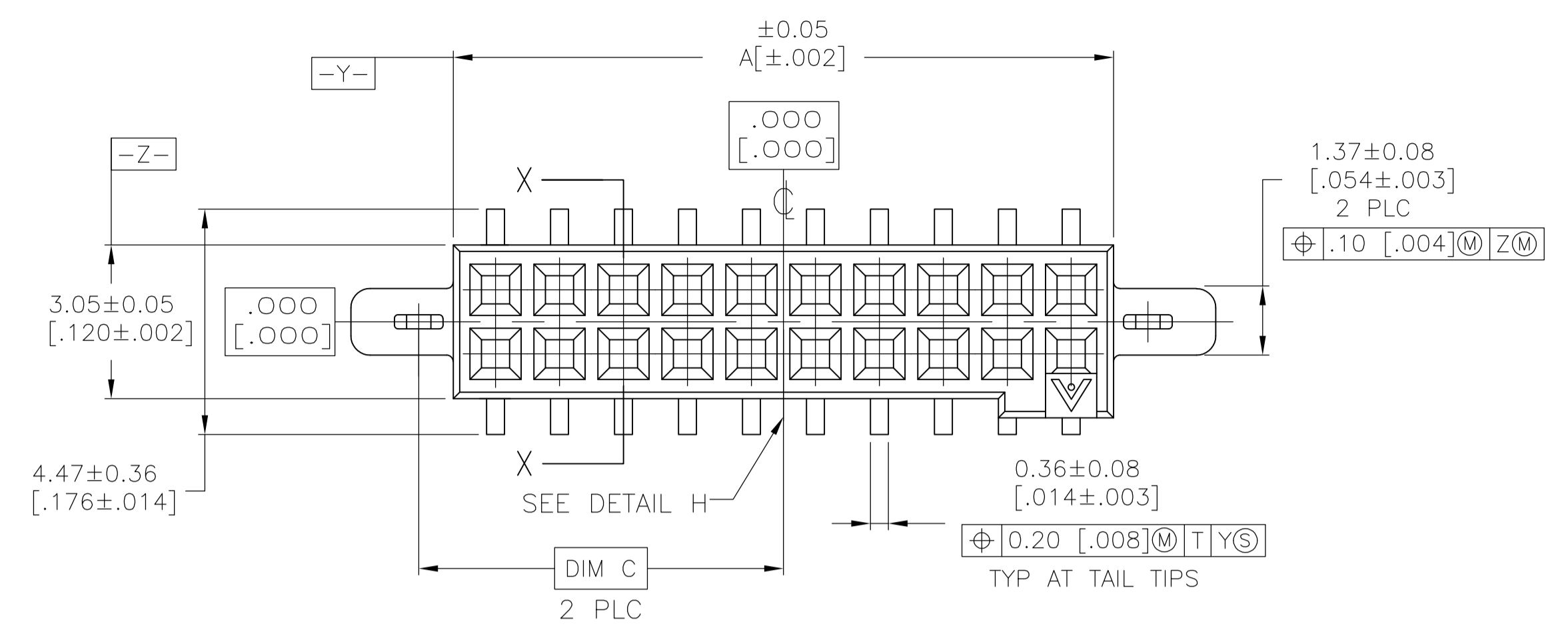
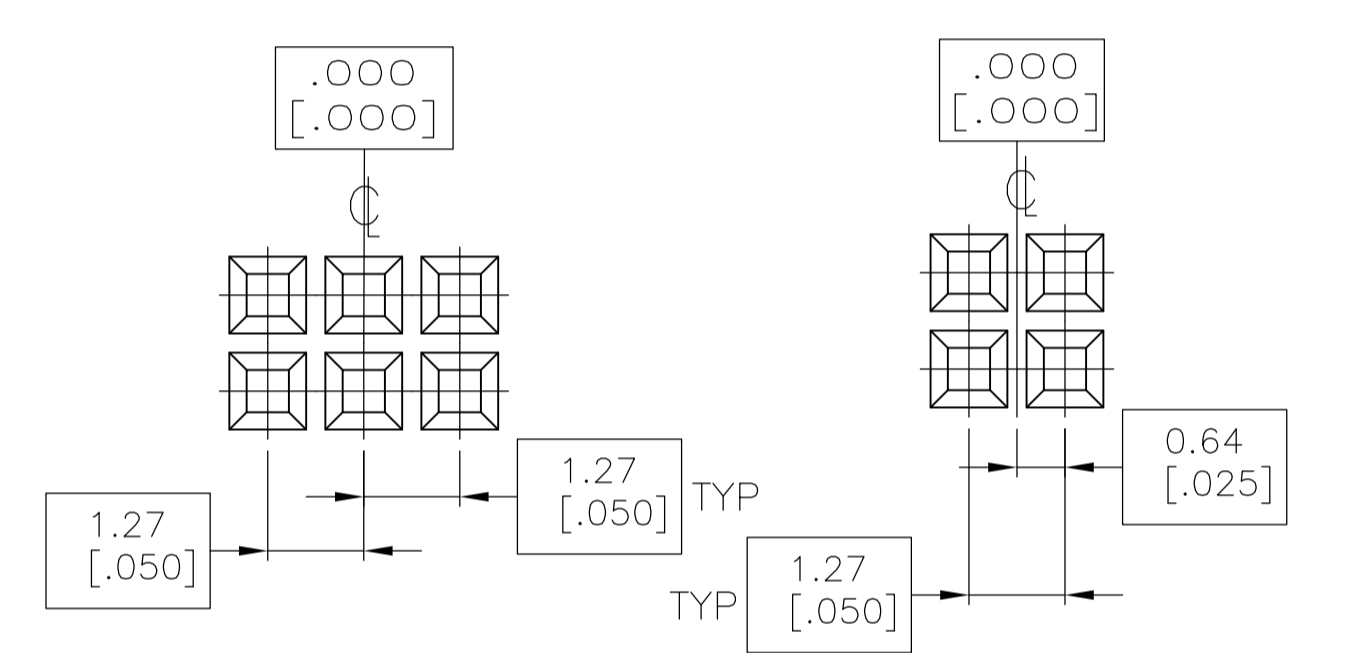
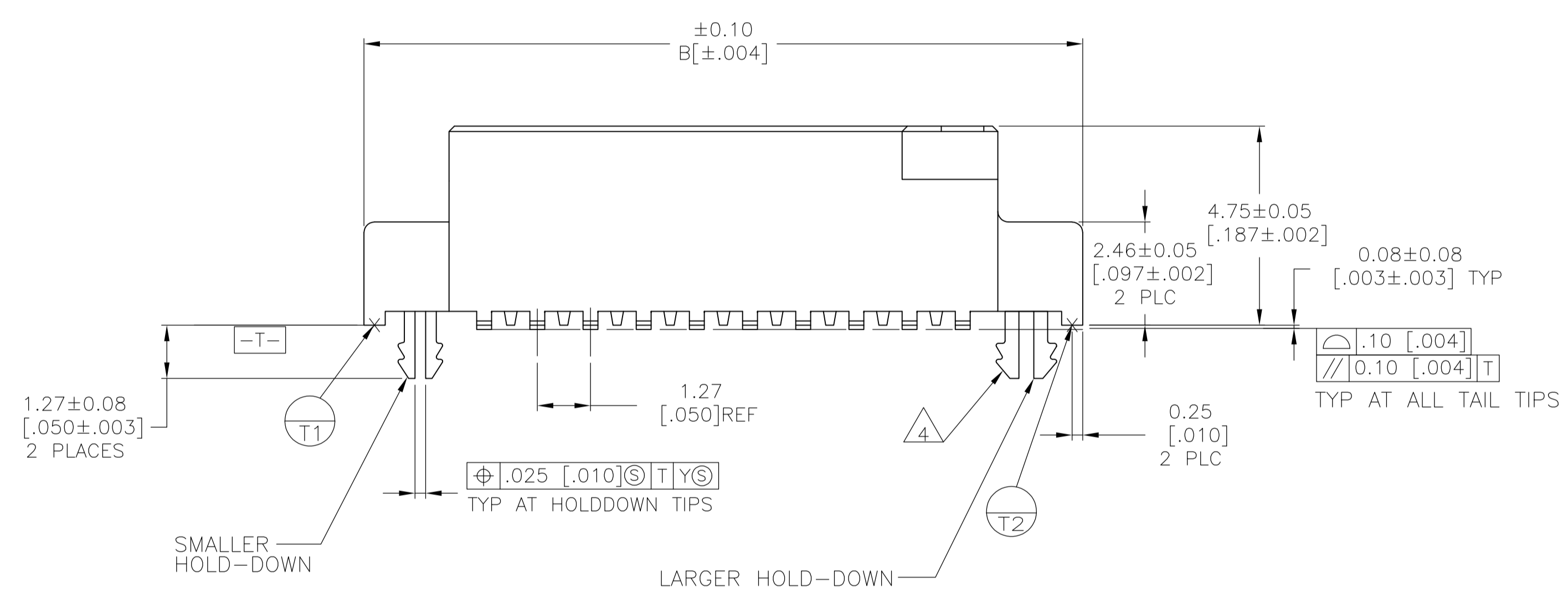


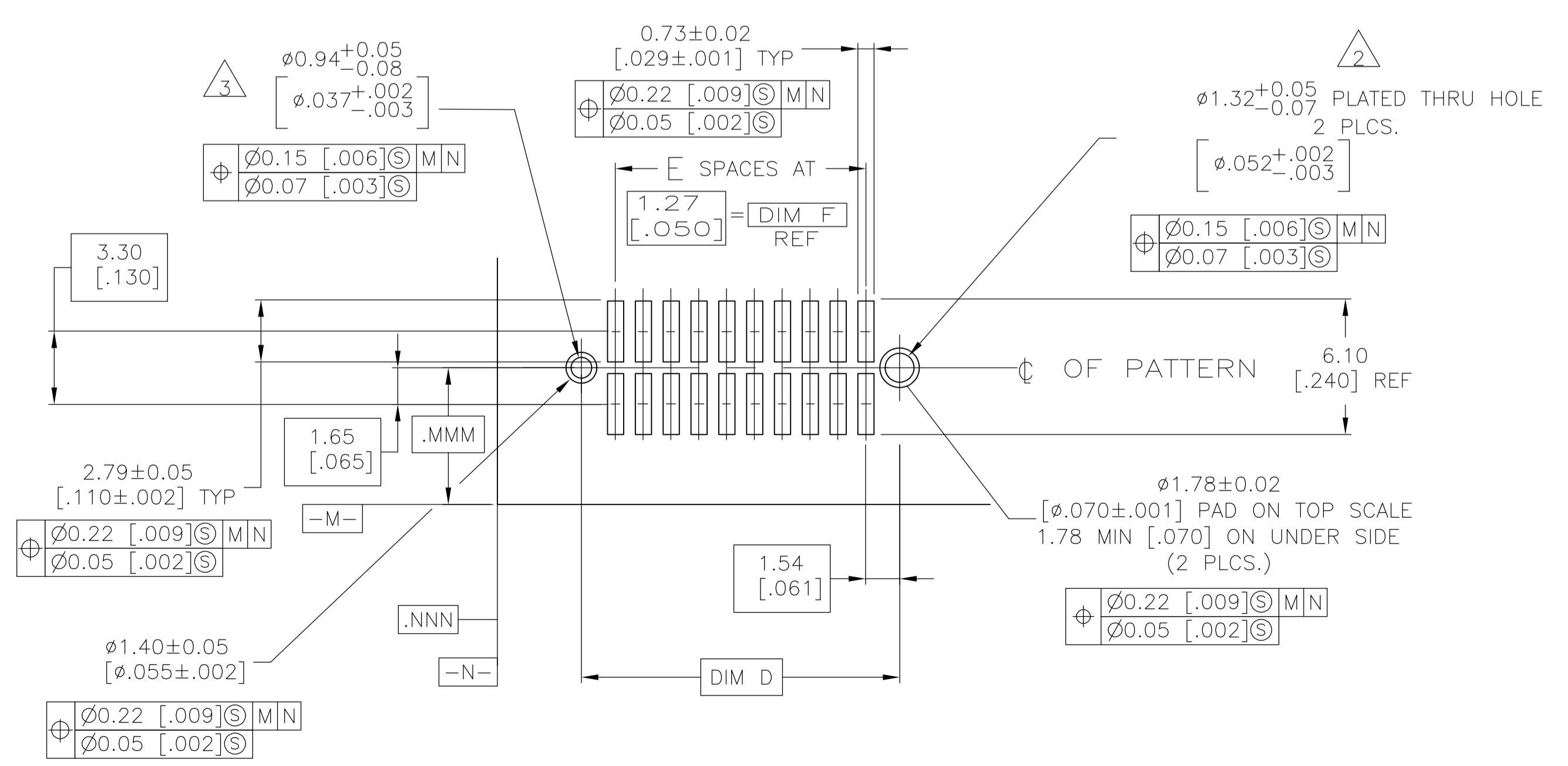
LOC		DIST		REVISIONS			
AD	00	F	LTR	DESCRIPTION	DATE	DMN	APVD
		N	EC	OG3C 0697 04	23NOV04	BSV	DLS
		N1		REVISED PER ECO-09-020689	31AUG09	KK	AEG



- 1 0.00076 [.000030] GOLD IN LOCALIZED PLATE AREA
0.00381 [.000150] TIN-LEAD ON SOLDER TAILS
ALL OVER 0.00127 [.000050] NICKEL
- 2 USE 1.510±0.025[.0595±.0010] DRILLED HOLE (#53 DRILL)
FINISH TO BE TIN/LEAD OVER 0.02 [.001] MIN COPPER
- 3 USE 1.070±0.025[.0420±.0010] DRILLED HOLE (#58 DRILL)
FINISH TO BE TIN/LEAD OVER 0.02 [.001] MIN COPPER
- 4 PLATING: 0.0038 [.000150] TIN-LEAD OVER 0.00127 [.000050] NICKEL
- 5. IF PLANNING TO USE MORE THAN ONE MATING PAIR OF CONNECTORS
TO INTERCONNECT 2 BOARDS, PLEASE REFER TO PARA. 3.3 IN THE
APPLICATION SPEC, #114-7010
- 6 HOUSING: LCP, COLOR:BLACK.
CONTACT: COPPER ALLOY PER ASTM SPECIFICATION B422.
HOLDDOWN: COPPER ALLOY PER ASTM SPECIFICATION B194.
- 7 0.00076 (.000030) GOLD IN LOCALIZED PLATE AREA, 0.00381
(.000150) MIN TIN ON SOLDER TAILS, ALL OVER 0.00127
(.000050) NICKEL.
- 8 OBSOLETE PARTS: OBSOLETE CIS STREAMLINING PER D.RENAUD/D.SINISI



BASIC DIMENSIONS FOR EVEN NO OF SPACES (SEE TABLE)
BASIC DIMENSIONS FOR ODD NO OF SPACES (SEE TABLE)
DETAIL H



RECOMMENDED BOARD LAYOUT
SCALE 5:1

8	OBsolete	36.83	29	39.88	19.940	42.57	38.51	60	5-104786-6
	OBsolete	[1.450]	49	[1.570]	[.785]	[1.676]	[1.516]	100	1-104786-0
	OBsolete	[2.450]	44	[2.570]	[1.285]	[2.676]	[2.516]	90	104786-9
	OBsolete	[2.200]	39	[2.320]	[1.160]	[2.426]	[2.266]	80	104786-8
	OBsolete	49.53	34	52.58	26.290	55.27	51.21	70	104786-7
	OBsolete	43.18	29	46.23	23.11	48.92	44.86	60	104786-6
	OBsolete	[1.700]	24	[1.820]	[.910]	[1.926]	[1.766]	50	104786-5
	OBsolete	36.83	19	39.88	19.940	42.57	38.51	40	104786-4
	OBsolete	[1.450]	14	[1.570]	[.785]	[1.676]	[1.516]	30	104786-3
	OBsolete	30.48	9	33.53	16.76	36.22	32.16	20	104786-2
	OBsolete	[1.200]	4	[1.320]	[.660]	[1.426]	[1.266]	10	104786-1
	OBsolete	24.13		27.18	13.590	29.87	25.81		
	OBsolete	[.950]		[1.070]	[.535]	[1.176]	[1.016]		
	OBsolete	17.78		20.83	10.41	23.52	19.46		
	OBsolete	[.700]		[.820]	[.410]	[.926]	[.766]		
	OBsolete	11.43		14.48	7.240	17.17	13.11		
	OBsolete	[.450]		[.570]	[.285]	[.676]	[.516]		
	OBsolete	5.08		8.12	4.06	10.82	6.75		
	OBsolete	[.200]		[.320]	[.160]	[.426]	[.266]		
	F REF	E	D	C	B	A	NO OF POS		PART NUMBER

THIS DRAWING IS A CONTROLLED DOCUMENT.

DATE: 5/31/92
KATE HELM
CHK: D. GORENC
D. GORENC
APVD: D. GORENC
5/31/91

Tyco Electronics Corporation
Harrisburg, Pa 17105-3608

ASSY RCPT, ASYMMETRICAL, SURFACE MT,
AMPMODU 50/50 GRID CONNECTOR

SIZE: A1
CAGE CODE: 00779
DRAWING NO: 104786

RESTRICTED TO: -

CUSTOMER DRAWING
SCALE: 10:1
SHEET: 1 of 1
REV: N1