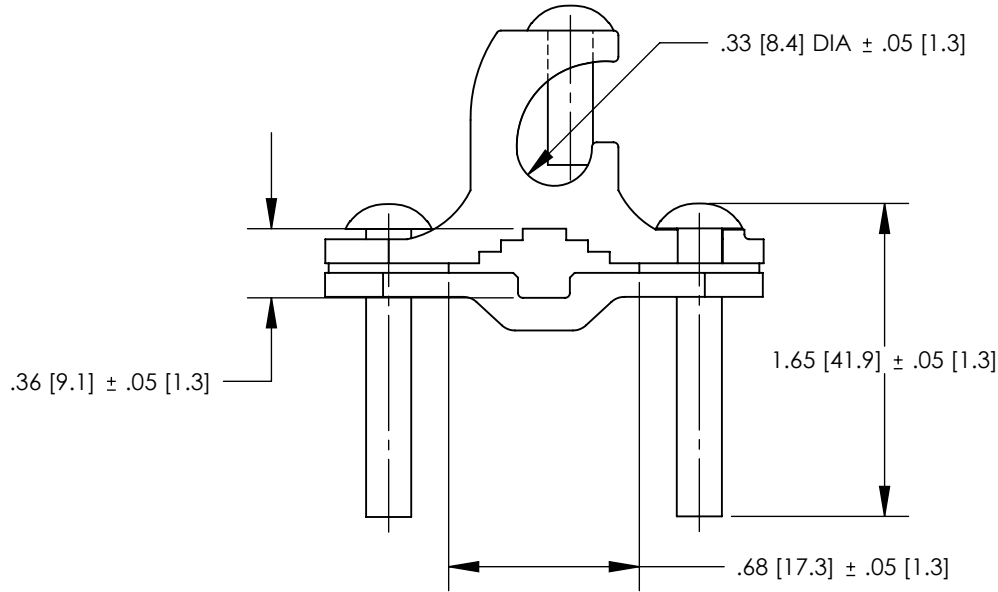
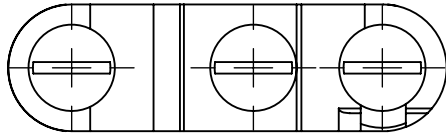


THIS COPY IS PROVIDED ON A RESTRICTED BASIS AND IS NOT TO BE USED IN ANY WAY DETRIMENTAL TO THE INTERESTS OF PANDUIT CORP.



NOTES:

1. MATERIAL:
 BODY - BRONZE (GUN METAL)
 SCREW - PHOS. BRONZE
 WASHER - COPPER
2. PARTS ARE cULus LISTED TO UL467 AS
 GROUNDING & BONDING EQUIPMENT.
3. RATED FOR DIRECT BURIAL
4. SEE WWW.PANDUIT.COM FOR PART NUMBER
 SUFFIX DESIGNATION FOR PACKAGING SIZE.



PART NUMBER	DESCRIPTION	WATER PIPE	GROUNDING WIRE
GPLAC2-1	GROUND CLAMP BARE WIRE DIRECT BURIAL LAY-IN FEATURE	1/2" - 1"	10 - 2 STR

REV	DATE	BY	CHK	APR	DESCRIPTION	ECN
00	7/12	JHNU	SRBI	RGB	DRAWING RELEASED	10J018AC-JC

TITLE BRONZE GROUND PIPE CLAMP 1/2"-1" DIRECT BURIAL (GPLAC2-1) CUSTOMER DRAWING			
ITEM REVISION NAME 10J018AC/00			
DATASET FILE NAME 10J018AC-JC/00.SLDDRW			
UNLESS OTHERWISE SPECIFIED, DIMENSIONAL TOLERANCES ARE: IN [mm] .X ± .XXX ± .XX ± ANGLES ±			MATERIAL SEE NOTES
DRAWN BY JHNU		DATE 7/12	DRAWING NUMBER 10J018AC-JC
CHK SRBI	SCALE N/A	SHEET 1 OF 1	
THIRD ANGLE PROJECTION 			SIZE A