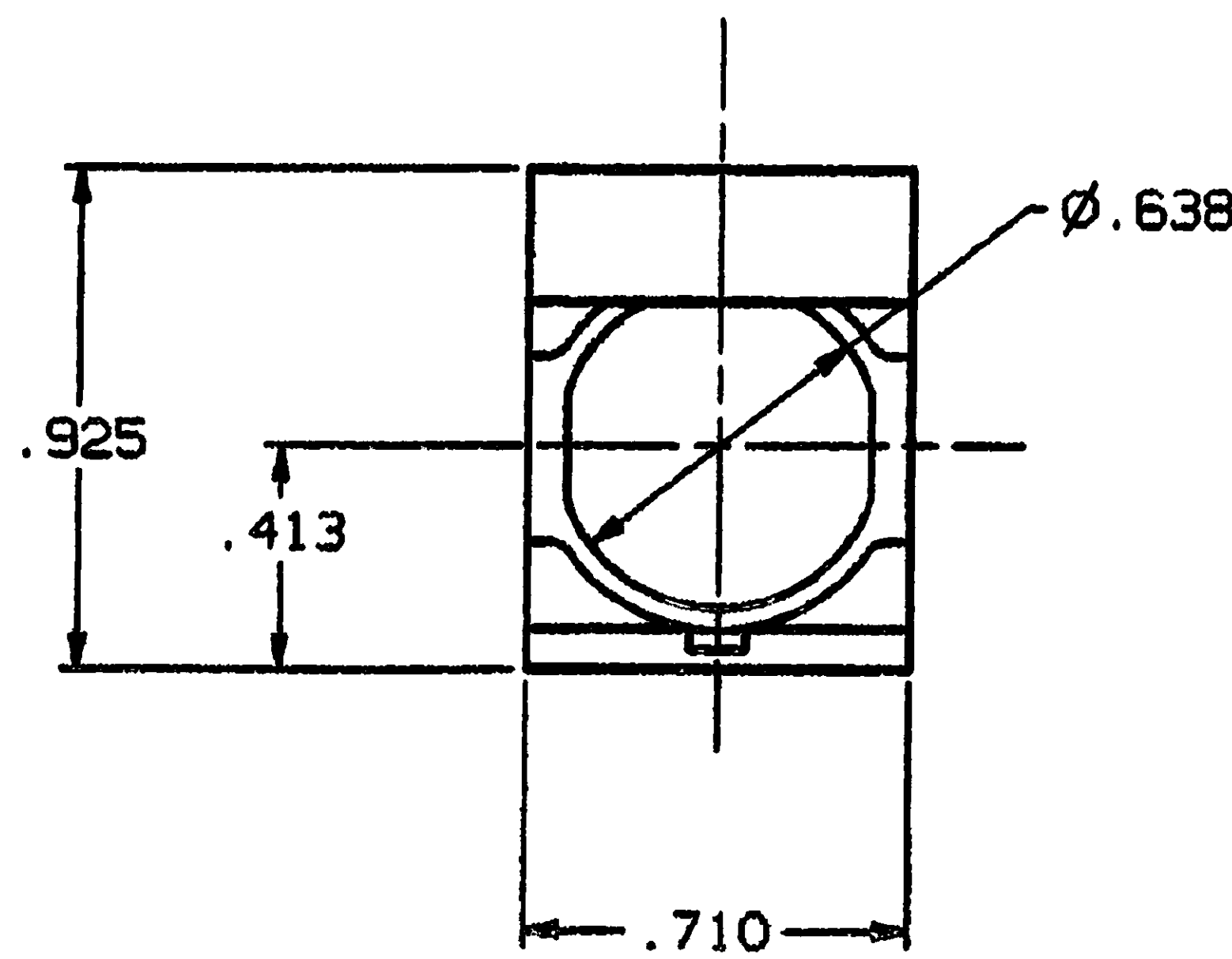
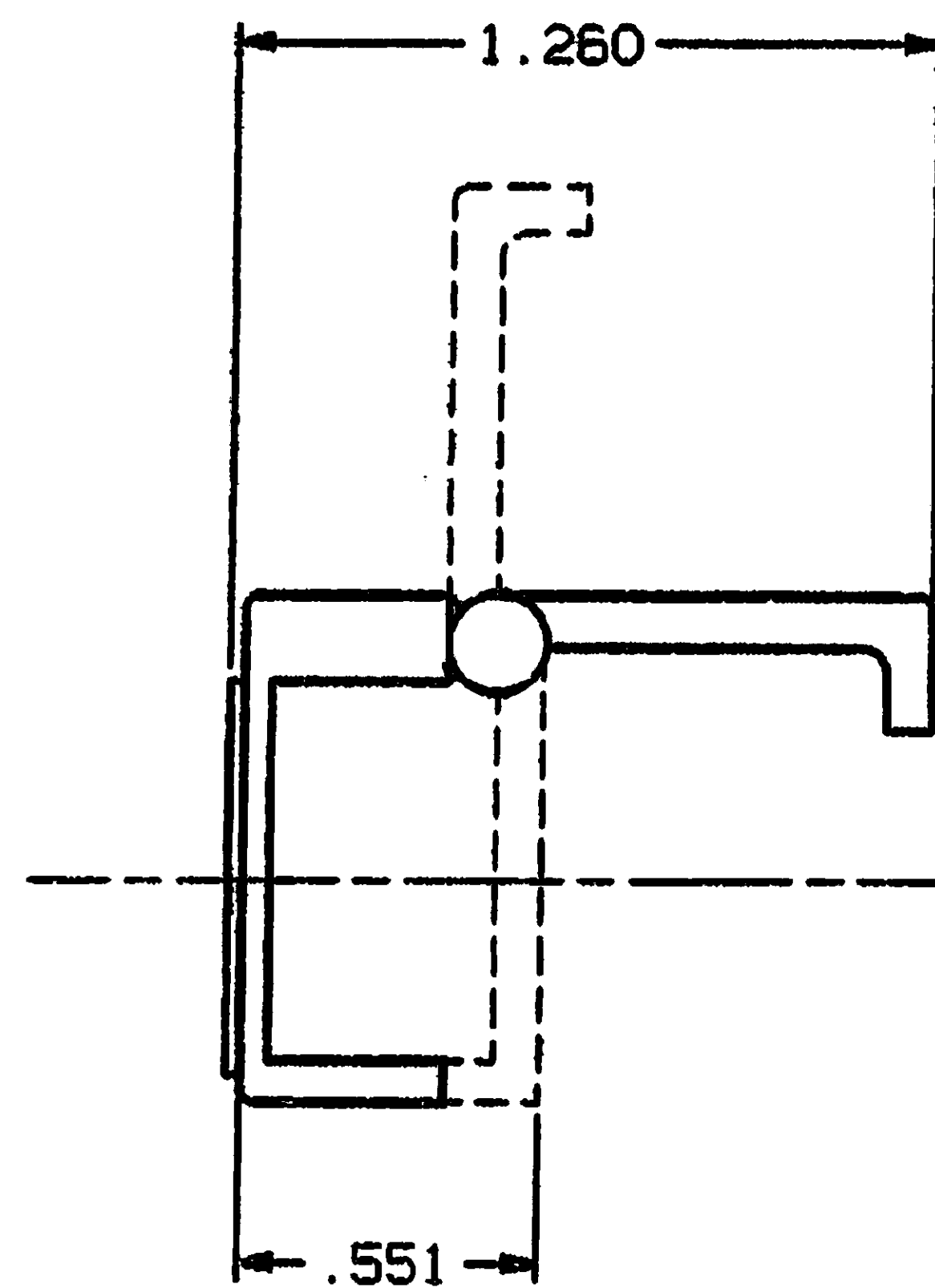
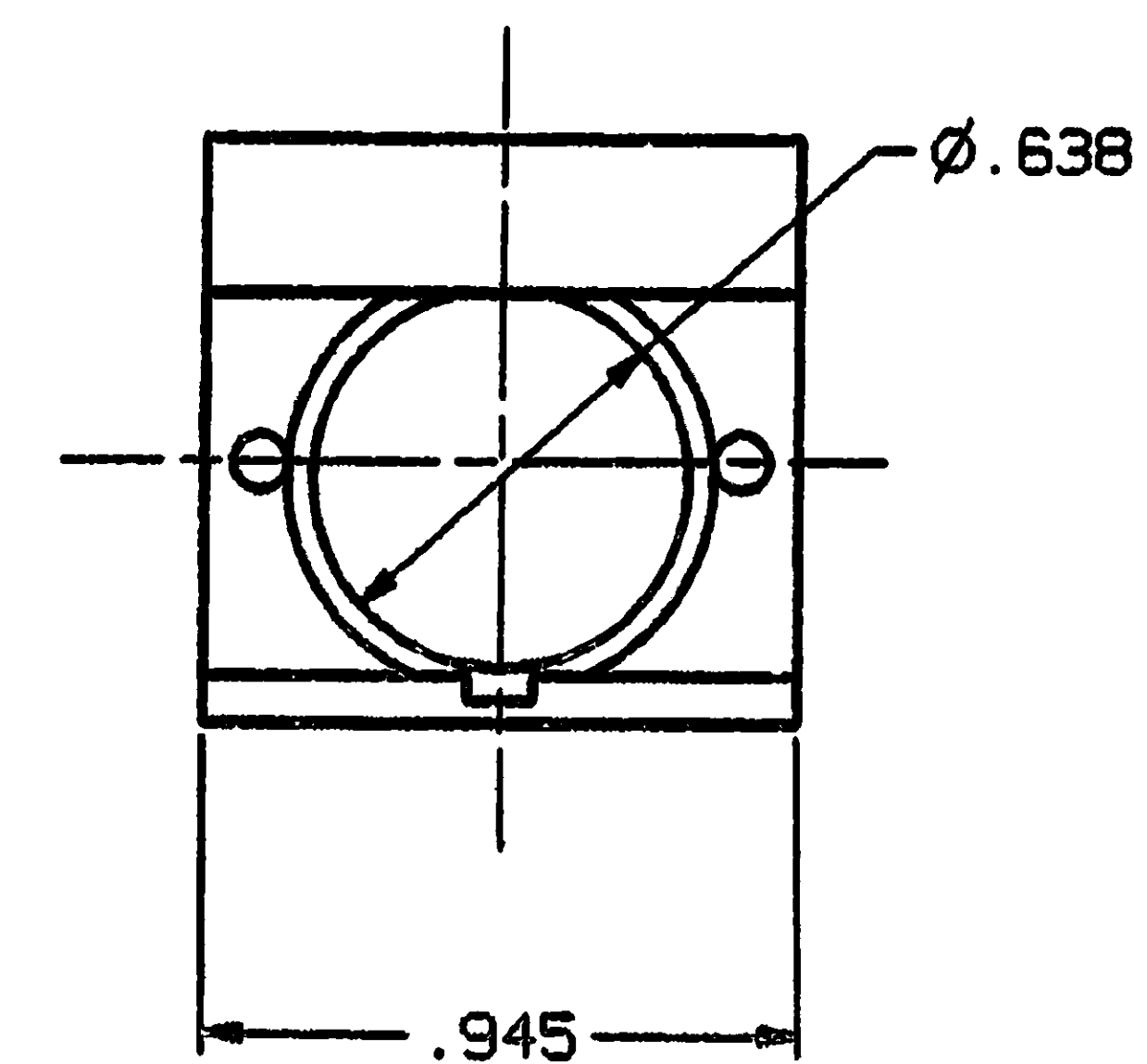


CONVERSION CHART	
INCH	MM
.413	10.5
.551	14.0
.638	16.2
.710	18.0
.925	23.5
.945	24.0
1.260	32.0

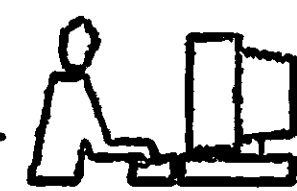


MODEL #671  
SQUARE



MODEL #669  
RECTANGULAR

THIS IS A C.A.D. GENERATED DRAWING.  
DO NOT HAVE MANUAL REVISIONS TO PARTS.



<b>REV</b> 0	<b>REVISIONS</b> INT'L RELEASE ESR/AS288 TRU-D 5-10-94 APP-D	THIRD ANGLE PROJECTION	UNLESS OTHERWISE SPECIFIED DIMENSIONS ARE IN INCHES DO NOT SCALE PRINT		ORIGINAL DATE OF DRAWING: 5-10-94		452 JOHN DIETSCH BLVD. ATTLEBORO FALLS, MASS. 02763 INC.		
			TOLERANCES (EXCEPT AS NOTED) ANGULAR = $\pm 1/2^\circ$ DECIMAL .XX = $\pm$ DECIMAL .XXX = $\pm .012$ (0.30) DECIMAL .XXXX = $\pm$	FILE NAME: 81092	DIRECTORY: GUIDE	DRAWN: TRU-D		DATE: 5-10-94	TITLE: COVER, FLIP SWITCH GUARD
			MATERIAL: PLASTIC	CHECKED: <i>W. J. King</i>		DATE: 5-11-94		DWG. NO. 81092	REV. 0
			FINISH: BASE-BLACK COVER-CLEAR	APPROVED: <i>W. J. King</i>	DATE: 5/11/94	CODE IDENT. NO. 91506		DWG. SIZE B	PRODUCT CODE: B15 SCALE: NONE SHEET 1 OF 1