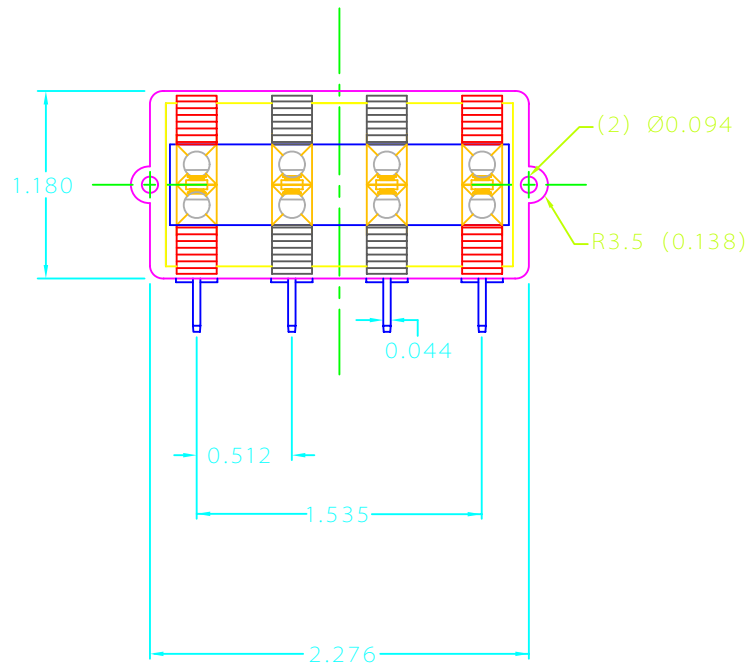
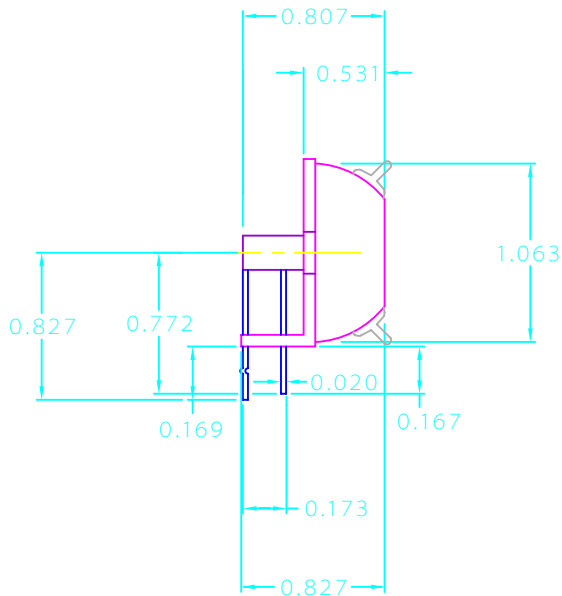


PART NO.

33 - 1408



UNLESS OTHERWISE SPECIFIED, DIMENSIONS ARE FOR REFERENCE PURPOSES ONLY.

TOLERANCE

DRAWINGS ARE THE PROPERTY OF GC ELECTRONICS. REPRODUCTION OR DISTRIBUTION OF THIS DRAWING MUST HAVE PRIOR WRITTEN CONSENT FROM GC ELECTRONICS.

NO. CHANGE DATE

GC Electronics

PART NAME 8 POS. PUSHBUTTON TERMINAL BLOCK

MAT'L

DRAWN S.R.S. 10/21/04

PART NO.

CHECKED

REV.

33 - 1408

SHEET 1 OF 1

SCALE NTS : \_\_\_\_\_ DIMENSIONS \_\_\_\_\_ IN \_\_\_\_\_