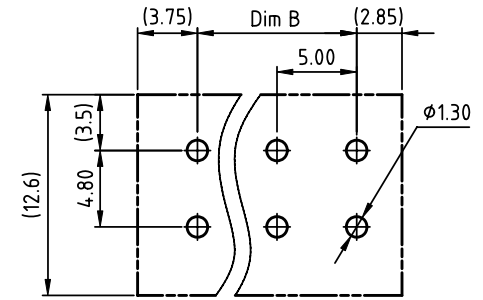
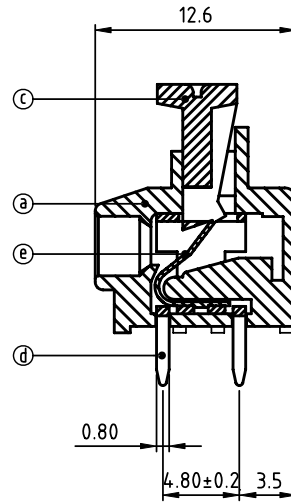
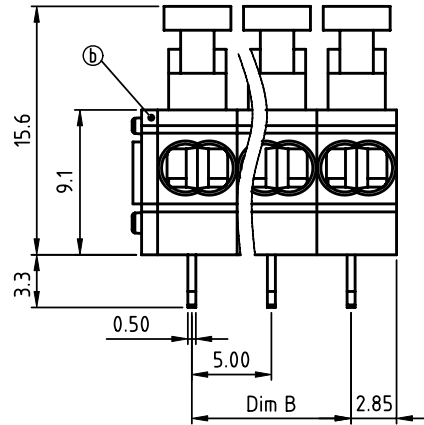
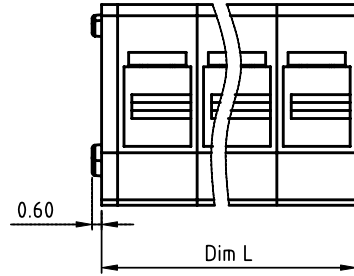


PRODUCT NUMBER	PITCH
HBxx02x000J0G	5.00 mm



RECOMMENDED P.C.B LAYOUT  
TOP VIEW

Material:

- Item@ Insulating body:Thermoplastic ( UL94V-0 )
- Itemⓐ Insulating cover:Thermoplastic ( UL94V-0 )
- Itemⓐ Insulating lever:Thermoplastic ( UL94V-0 ) Natural color
- Itemⓐ Solder pin: Brass, Tin plated
- Itemⓐ Spring clamp: Stainless steel

Electrical cULus

- Voltage rating: 300VAC
- Current rating: 10A
- Wire range:
  - Solid wire: 2×AWG 18-24
  - Stranded wire: 2×AWG 18-24
- Wire strip length: 9-10mm
- Withstanding Voltage: 1.6KV
- Operating temperature: -40°C to +115°C
- Soldering temperature: 260°C±5°C/5 Sec
- Safety Approval:

N=Number of poles  
Dim L=N×5.0+1.00  
Dim B=(N-1)×5.0

POLES	Dim L	Dim B
1p	±0.10	
2p-6p	±0.20	±0.15
7p-12p	±0.30	±0.25
13p-18p	±0.40	±0.35
19p-24p	±0.45	±0.40

PART NO.: HB xx 02 x 0 00J0 G

- |               |     |                   |                              |
|---------------|-----|-------------------|------------------------------|
| End stackable | 0   | Color             | RoHS compliant               |
| No. of poles  | 2   | Black (RAL9005)   | (lead<4%<br>In copper Alloy) |
| 01 1 poles    | 3   | Red (RAL3001/D)   |                              |
| 02 2 poles    | 4   | Orange(RAL2011/P) |                              |
| ...           | ... | Yellow(RAL1018/A) |                              |
| 24 24 poles   | 5   | Green(RAL6018/T)  |                              |
|               | 6   | Blue (RAL5015/A)  |                              |
|               | 8   | Grey(RAL7004/P)   |                              |
|               | 9   | White(RAL1102)    |                              |
|               | C   | Multiple colors   |                              |

mat'l. code		surface ASME Y14.5	tolerance ASME Y14.5	projection	product family
ltr ecn no dr date		tolerances unless otherwise specified			TERMINAL BLOCK
angles		X.±0.5		MM	title
X*±1°		X.X±0.3		scale	TERMINAL BLOCK SPRING CLAMP,180D WIRE INLET,WITH LEVER DOUBLE WIRE INLET PER POLE
dr		EVIN ZHONG	052614		dwg no
enr		EVIN ZHONG	052614		sheet 1 of 1
chr		HANKE FENG	052614		size
appd		SHI JUN	052614		A4
sheet index	revision	A		type	
	sheet	1		CUSTOMER Drawing	