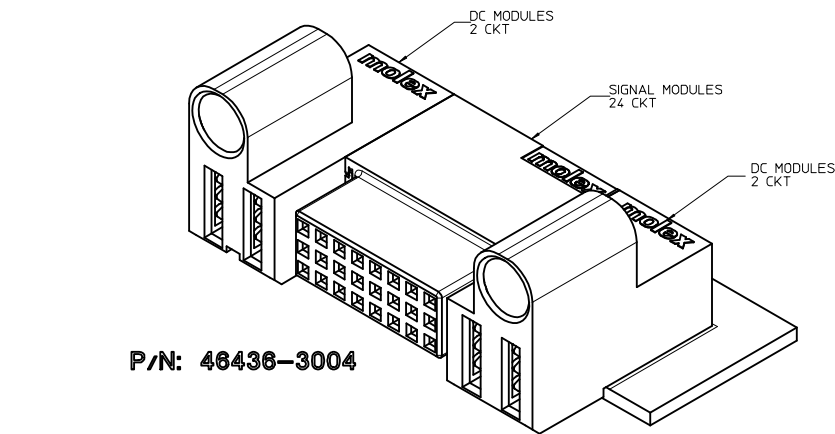
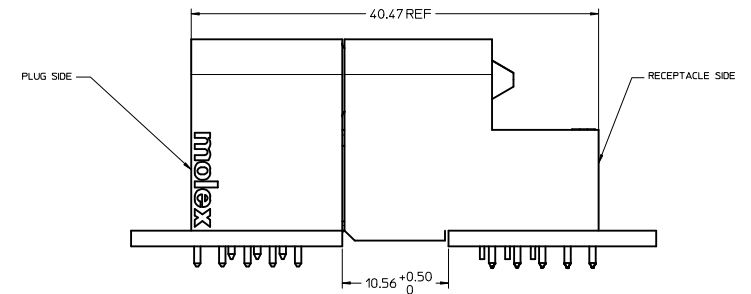
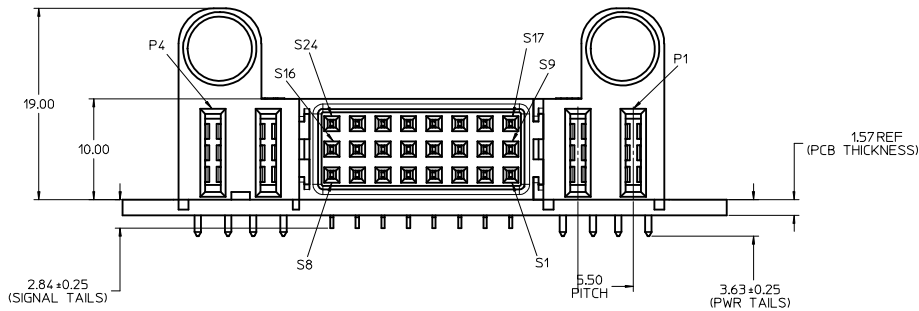


RECOMMENDED PC BOARD LAYOUT & KEEP-OUT ZONE



- NOTES:
- MATERIAL:
 - HOUSINGS: LCP UL94, V-0, COLOR: BLACK.
 - TERMINALS: COPPER ALLOY.
 - PLATING: 0.00127 NICKEL OVERALL WITH 0.00254 SELECTIVE TIN ON SOLDER TAILS AND 0.000762 SELECTIVE GOLD ON CONTACT AREA.
 - ASSEMBLIES PACKED IN TRAYS, SPO: TBD
 - PC BOARD REQUIRES SOLDER THRU HOLES. REFER TO PS-46436-100 FOR DETAILS
 - PRODUCT SPEC: PS-46436-100.
 - APPLICATION SPEC: AS-46436-100.
 - PRODUCT TO MEET RoHS REQUIREMENTS.
 - ASSEMBLY MATES TO MOLEX PLUG ASSEMBLY P/N 46437-3004.

RELEASED IEC NO: UCP2009-2546 DRWN: JJKH CHYK/JKH APPR: APTEL	2009/05/05 2009/05/05 2009/05/05	DESCRIPTION QUALITY SYMBOLS	GENERAL TOLERANCES (UNLESS SPECIFIED)		DIMENSION STYLE MM ONLY		SCALE NTS	DESIGN UNITS METRIC	THIRD ANGLE PROJECTION				
			4 PLACES ± --- ± ---	3 PLACES ± --- ± ---	2 PLACES ± 0.25 ± ---	1 PLACE ± 0.25 ± ---	ANGULAR ± 1/2°	DRAWN BY KJKOH	DATE 2009/03/11	CHECKED BY KJKOH	DATE 2009/03/11	APPROVED BY SHONG	DATE
			DRAFT WHERE APPLICABLE MUST REMAIN WITHIN DIMENSIONS		MATERIAL NO. 46436-3004		DOCUMENT NO. SD-46436-304		TITLE RA RECEIPT ASSY TEN60 POWER, TOP GUIDES TG-2P-24S-2P-TG		MOLEX INCORPORATED		
			SIZE A 1		THIS DRAWING CONTAINS INFORMATION THAT IS PROPRIETARY TO MOLEX INCORPORATED AND SHOULD NOT BE USED WITHOUT WRITTEN PERMISSION								