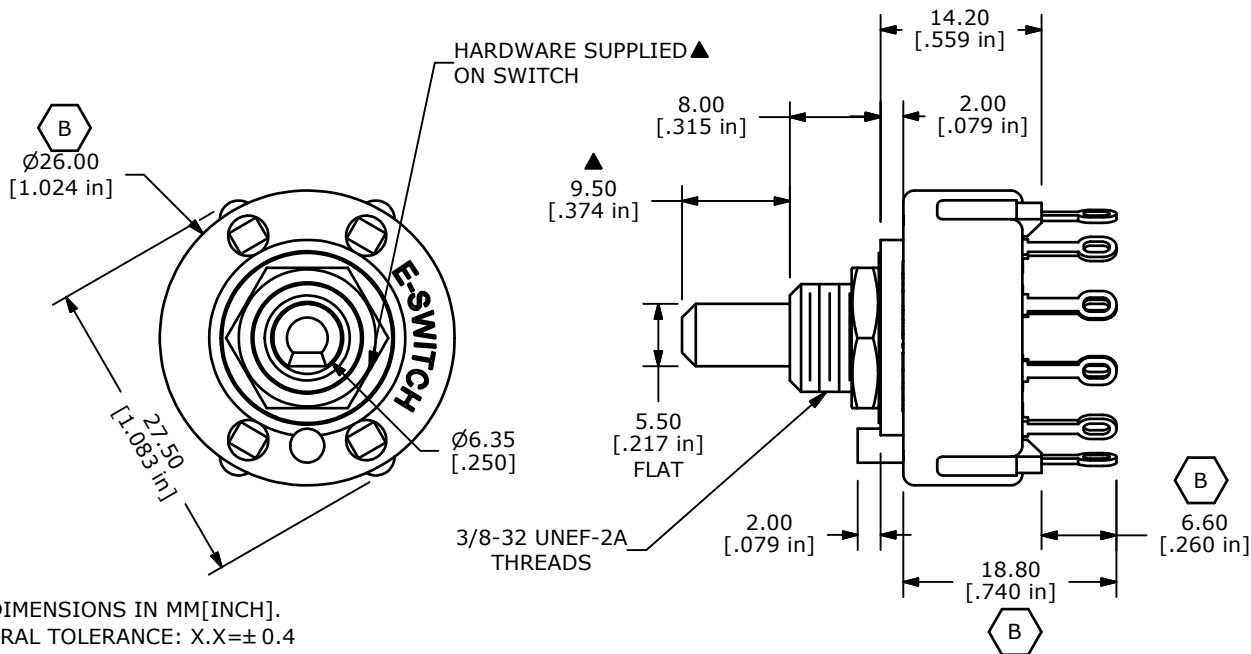
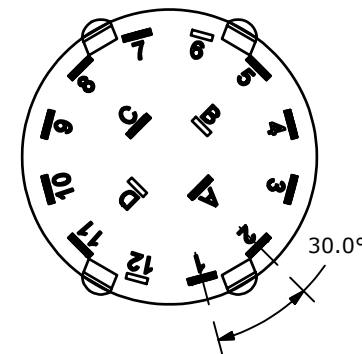
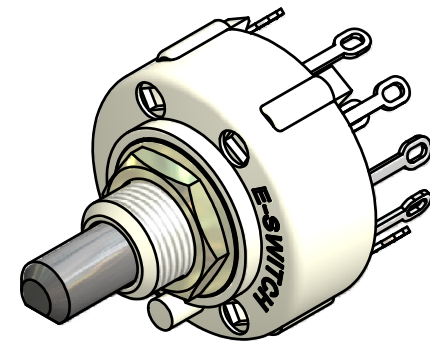


CONTACT CONFIGURATION
TIMING (BBM) NON-SHORTING C



NOTE:

1. ALL DIMENSIONS IN MM[INCH].
2. GENERAL TOLERANCE: X.X=± 0.4
X.XX=± 0.25
3. TERM. NOS. FOR REFERENCE ONLY.
4. CONTACT MATERIAL: SILVER
5. CONTACT RATING: 150MILLIAMP, 250VAC/DC
350MILLIAMP, 110VAC/DC
6. CONTACT RATING (NON-SWITCHING) 5A
7. OPERATING FORCE 425± 100CM/STANDARD
8. OPERATING TEMP: -30°C TO 85°C
- ▲ 9. CIRCUIT DP: 5 POSITION 30° INDEX.
10. DIELECTRIC STRENGTH: 1000V RMS MIN.@ SEA LEVEL.
- ▲ 11. HARDWARE SUPPLIED ON SWITCH:
LOCKWASHER, HEXNUT, STOP RING
12. ▲ DENOTES CRITICAL PARAMETER.
- 13 2002/95/EC (RoHS) COMPLIANT C

C	19363	UPDATED NOTES	10/18/10	BMA
B	14486	UPDATE DIMS	11/10/04	AR
A	14007	RELEASED FOR PRODUCTION	5/18/04	AR
REV	PCR NO	DESCRIPTION	DATE	BY

THE INFORMATION CONTAINED IN THIS DOCUMENT IS PROPRIETARY TO E-SWITCH AND IS NOT TO BE COPIED OR TRANSFERRED

TITLE KC25A9.501NLS

SCALE	DATE	DR	DWG	REV
1.5:1	5/18/2004	AR	G510582	C