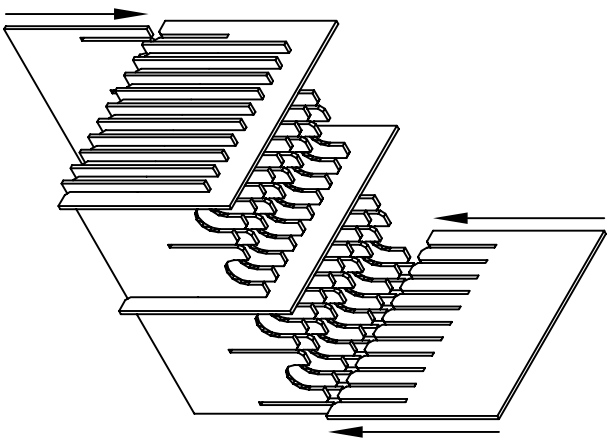
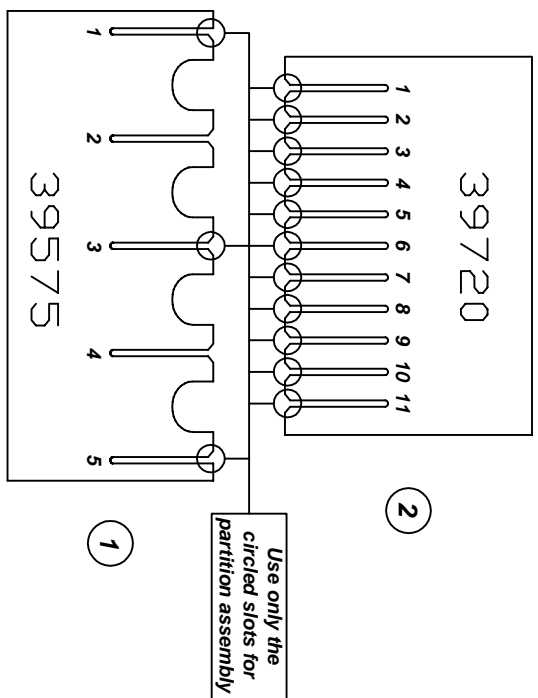
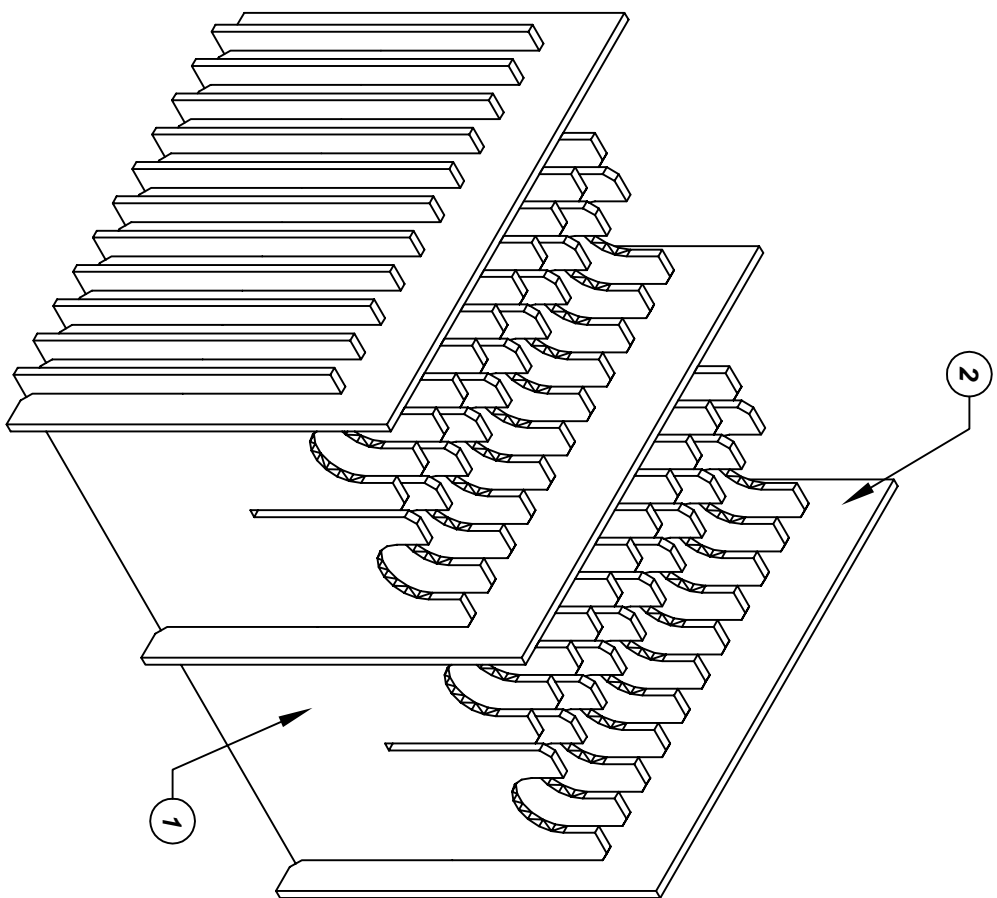


Assembly Instructions for - 37364



Made in America 

F/N	Part #	Dimensions:	Description:	Qty:
1	39575	20-1/4" x 18-5/8"	460/462/464-L-P-20/40 Long Partition	11
F/N	Part #	Dimensions:	Description:	Qty:
2	39720	24-1/4" x 15"	462-SP-12 Short Partition	3

37364 - 24 Cell Implant Handler
Cell Size - 12" x 8-1/8" x 1"

PROTEKTIVE PAK
 RUBBED CONDUCTIVE LAYER

DRAWING NUMBER
IPH-37364

DATE
 Dec. 2007

Notes:
 For use with the following storage container & lid:
 37525 - Storage Container
 37554 - Lid

PROTEKTIVE PAK
 13520 MONTE VISTA AVENUE, CHINO, CA 91710
 PHONE (909) 627-2578, FAX (909) 363-7331
 ProtektivePak.com