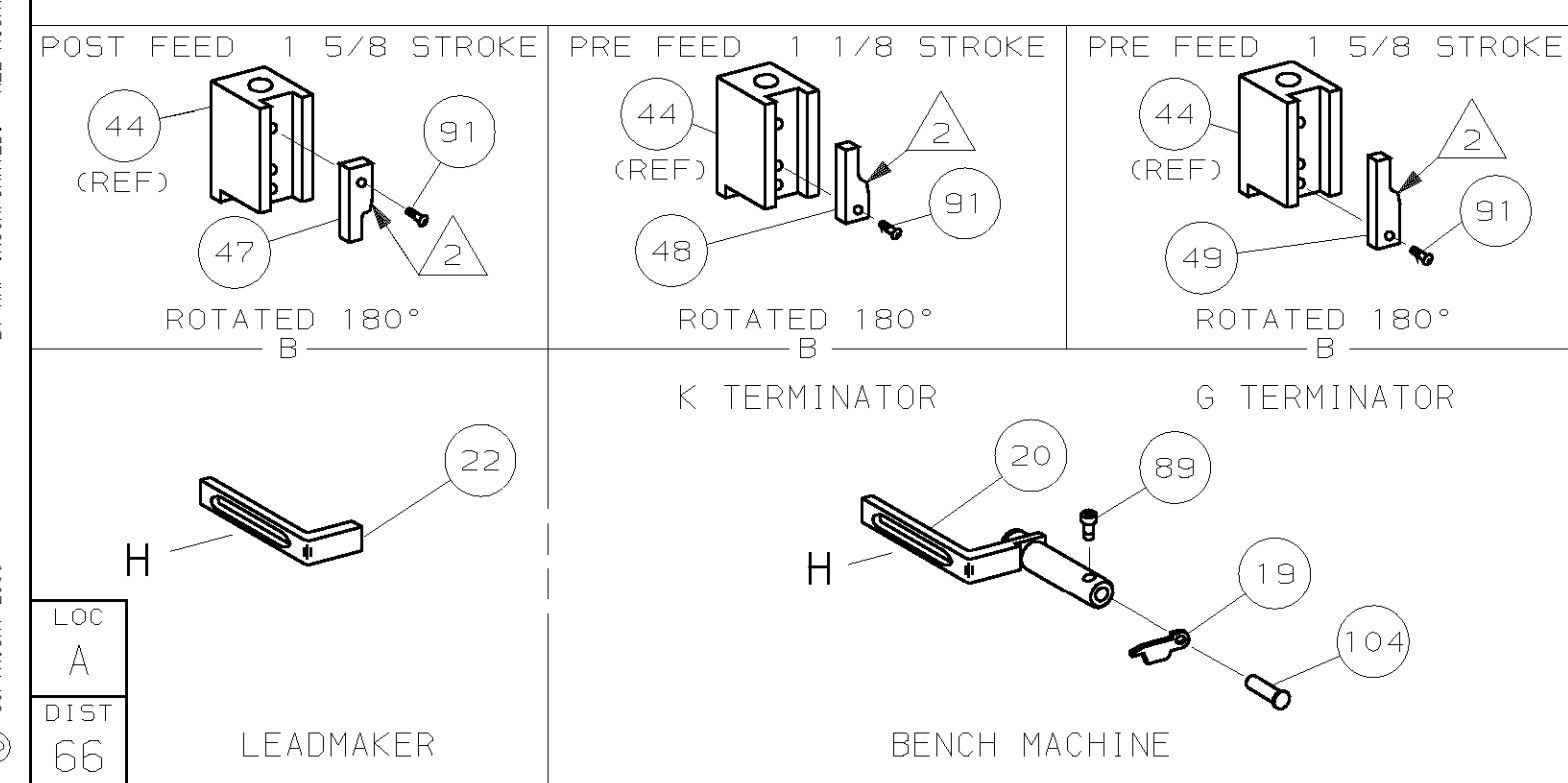
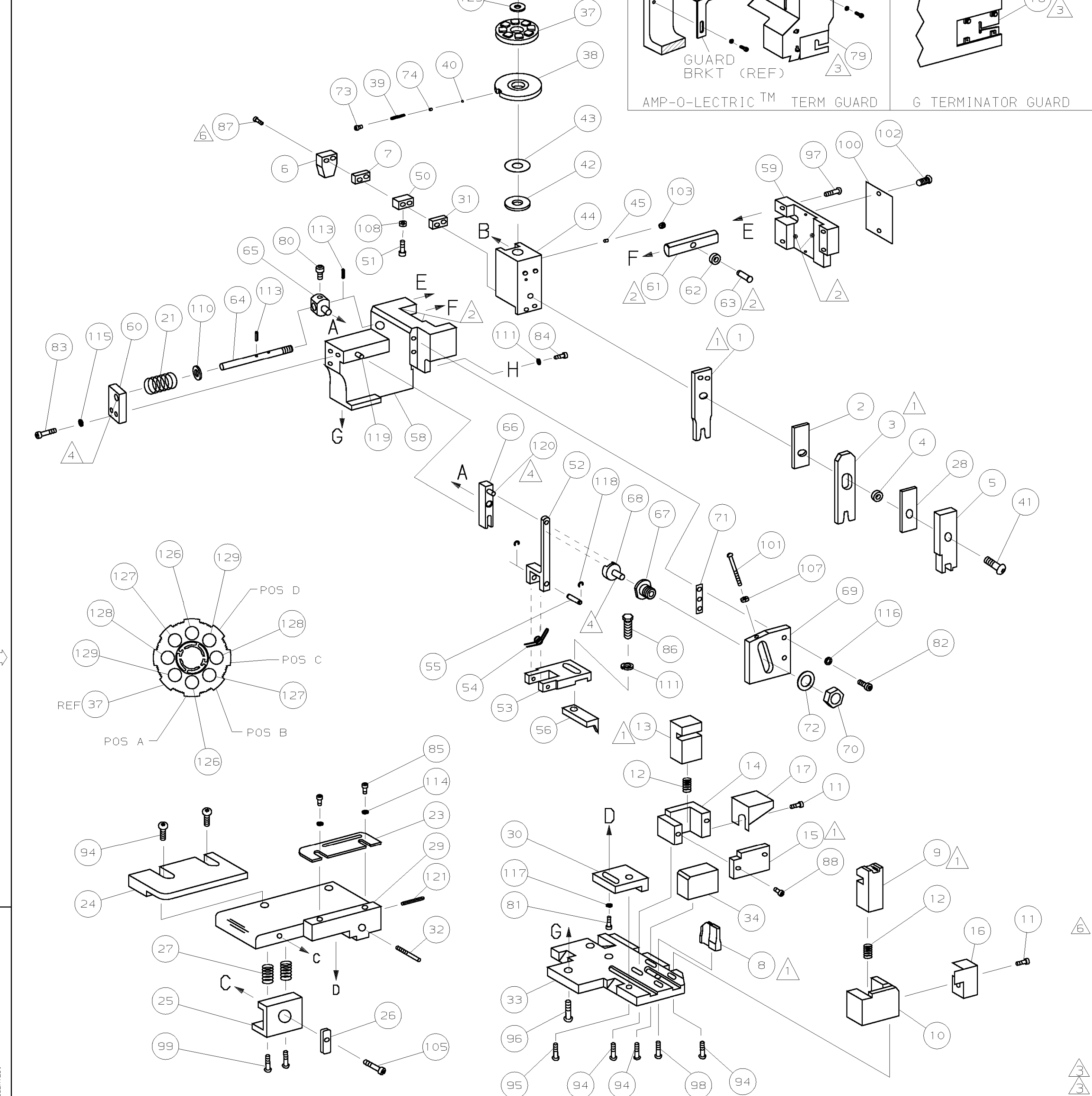


| PART NUMBER | REV | FIRST USED |
|-------------|-----|------------|
| 1385200-1 | B | 122500-1 |
| 1385200-2 | B | 565435-5 |
| 1385200-3 | B | 354500-1 |



- 1 RECOMMENDED SPARE PARTS.
- 2 GREASE LIGHTLY.
- 3 GUARD MUST BE IN PLACE WHEN OPERATING APPLICATOR IN A BENCH MACHINE.
- 4 LUBRICATE DAILY USING NO. 20 MACHINE OIL.
- 5. ITEMS WITH QTY OF REF SPECIFIED (EXCEPT ITEMS 78 AND 79) ARE USED ON ITEM 46.
- 6 GRIND .09±.01 FROM LENGTH OF SCREW BEFORE USING.

| TERMINAL NAME: TERMINAL | | SMEC TERMINAL AMP CRIMP SPECS | |
|-------------------------|---------------|-------------------------------|------------------------|
| AMP PN | MFR PN | PAD LTR | WIRE SIZE |
| 286897-1 | 2010320 | A | 1.5mm ² |
| | | B | 1mm ² |
| | | C | 0.75mm ² |
| | | D | 0.5mm ² |
| CRIMP | SIZE | TYPE | RANGE |
| WIRE | .090 [2.29mm] | F | 0.5-1.5mm ² |
| INSUL | .110 [2.79mm] | F | 1.7-2.4mm |

| QTY | RECD | PER | ASSY | WIRE STRIP LENGTH | TERM | APPL | SPEC | FEED | APPL | INSTRUCTION | SET UP | GAGE | LAYOUT |
|-----|------|-----|------|-------------------|---------|-------------|------|---------|------------|-----------------------------------|--------|------|--------|
| 2 | 2 | 2 | - | .156-.188 | NONE | | | .394 | 408-8040 | 458637-1 | L2463 | | |
| 2 | 2 | 2 | - | | C | | | | 3-354779-6 | PIN, WIRE DISC (.3170)D | 129 | | |
| 2 | 2 | 2 | - | | C | | | | 3-354779-0 | PIN, WIRE DISC (.3140)C | 128 | | |
| 2 | 2 | 2 | - | | C | | | | 2-354779-2 | PIN, WIRE DISC (.3100)B | 127 | | |
| 2 | 2 | 2 | - | | C | | | | 1-354779-6 | PIN, WIRE DISC (.3070)A | 126 | | |
| 1 | 1 | 1 | - | | A | | | | 986950-1 | WASHER, FLAT PRECISION | 125 | | |
| 1 | 1 | 1 | - | | A | | | | 217238-1 | GENERAL INSTRUCTION PACKAGE | 124 | | |
| 1 | 1 | 1 | - | | - | | | | 4088040 | SF APPL INST 408-8040 | 123 | | |
| 1 | 1 | 1 | - | | - | | | | | | 122 | | |
| 1 | 1 | 1 | - | | A | | | | 4-21028-0 | PIN, SLT SPR (Ø.093x.75)ST GDE PL | 121 | | |
| 1 | 1 | 1 | - | | A | | | | 1-21030-1 | PIN, DOWEL (Ø.187x.50)LEVER | 120 | | |
| 1 | 1 | 1 | - | | A | | | | 1-21030-6 | PIN, DOWEL (Ø.187x1.25)HOUSING | 119 | | |
| 1 | 1 | 1 | - | | A | | | | 21045-3 | RING, RET "C" (Ø.187)FD FING PIN | 118 | | |
| 1 | 1 | 1 | - | | A | | | | 21024-5 | WASHER, LOCK (#10)ADJ BLOCK | 117 | | |
| 1 | 1 | 1 | - | | A | | | | 21024-5 | WASHER, LOCK (#10)ADJ PLATE | 116 | | |
| 1 | 1 | 1 | - | | A | | | | 21024-5 | WASHER, LOCK (#10)FEED GDE ROD | 115 | | |
| 2 | 2 | 2 | - | | A | | | | 21024-2 | WASHER, LOCK (#4)FRONT STP GUIDE | 114 | | |
| 1 | 1 | 1 | - | | A | | | | 5-21028-1 | PIN, SLT SPR (Ø.125x.50)ADJ ROD | 113 | | |
| 1 | 1 | 1 | - | | - | | | | | | 112 | | |
| 1 | 1 | 1 | - | | A | | | | 21024-4 | WASHER, LOCK (#8)STRIPPER | 111 | | |
| 1 | 1 | 1 | - | | A | | | | 21899-4 | WASHER, FLAT (Ø5/16)SCREW ADJ | 110 | | |
| 1 | 1 | 1 | - | | - | | | | | | 109 | | |
| 1 | 1 | 1 | - | | A | | | | 21018-5 | NUT, HEX (NO. 6)HOLDDOWN | 108 | | |
| 1 | 1 | 1 | - | | A | | | | 21068-5 | NUT, HEX (6-32)FEED ADJ | 107 | | |
| 1 | 1 | 1 | - | | - | | | | | | 106 | | |
| 1 | 1 | 1 | - | | A | | | | 22353-8 | SCR, SHLD (Ø.187x.25)DRAG LEVER | 105 | | |
| 1 | 1 | 1 | - | | A | | | | 992031-1 | PIN, CLEVIS | 104 | | |
| 1 | 1 | 1 | - | | A | | | | 21009-2 | SCR, SKT SET (1/4-20x.25 LW)RAM | 103 | | |
| 2 | 2 | 2 | - | | A | | | | 21017-2 | SCR, DRIVE (#2x.19)ID PLATE | 102 | | |
| 1 | 1 | 1 | - | | A | | | | 6-23715-5 | SCR, PAN HD (6-32x1.50)FEED ADJ | 101 | | |
| 1 | 1 | 1 | - | | B | | | | 461264-1 | PLATE, IDENTIFICATION | 100 | | |
| 2 | 2 | 2 | - | | A | | | | 3-21002-0 | SCR, BHC (10-32x.88)DRAG | 99 | | |
| 1 | 1 | 1 | - | | A | | | | 22733-8 | SCR, BHC (8-32x.38 LW)ANVIL | 98 | | |
| 1 | 1 | 1 | - | | A | | | | 2-21002-9 | SCR, BHC (10-32x.75)CAP | 97 | | |
| 1 | 1 | 1 | - | | A | | | | 2-22733-8 | SCR, BHC (1/4-20x.62)HOUSING | 96 | | |
| 1 | 1 | 1 | - | | A | | | | 2-21002-7 | SCR, BHC (10-32x.50)5G ADJ BLOCK | 95 | | |
| 8 | 8 | 8 | - | | A | | | | 2-21002-2 | SCR, BHC (8-32x.50)TERM H DWN | 94 | | |
| 1 | 1 | 1 | - | | - | | | | | | 93 | | |
| 1 | 1 | 1 | - | | - | | | | | | 92 | | |
| 1 | 1 | 1 | - | | A | | | | 1-21002-7 | SCR, BHC (6-32x.38)CAM | 91 | | |
| 1 | 1 | 1 | - | | - | | | | | | 90 | | |
| 1 | 1 | 1 | - | | A | | | | 7-21000-9 | SCR, SHC (4-40x.19)STRIPPER | 89 | | |
| 2 | 2 | 2 | - | | A | | | | 1-21000-9 | SCR, SHC (6-32x.38)R SHEAR PLATE | 88 | | |
| 2 | 2 | 2 | - | | A | | | | 8-21002-9 | SCR, SHC (8-32x1.25)DEP-HOLD | 87 | | |
| 1 | 1 | 1 | - | | A | | | | 2-22603-0 | SCR, HEX HD (8-32x.31)FEED FINGER | 86 | | |
| 2 | 2 | 2 | - | | A | | | | 1-21000-3 | SCR, SHC (4-40x.25)FD ST GUIDE | 85 | | |
| 1 | 1 | 1 | - | | A | | | | 2-21000-7 | SCR, SHC (8-32x.50)STRIPPER | 84 | | |
| 1 | 1 | 1 | - | | A | | | | 3-21000-7 | SCR, SHC (10-32x.75)FEED ROD 6D | 83 | | |
| 1 | 1 | 1 | - | | A | | | | 3-21000-6 | SCR, SHC (10-32x.62)FD ADJ BLK | 82 | | |
| 1 | 1 | 1 | - | | A | | | | 3-21000-4 | SCR, SHC (10-32x.38)5G ADJ BL | 81 | | |
| 1 | 1 | 1 | - | | A | | | | 3-21000-4 | SCR, SHC (10-32x.38)PIVOT BLK | 80 | | |
| - | 1 | - | - | | B | | | | 455749-1 | GUARD, WINDOW | 79 | | |
| 1 | - | - | - | | B | | | | 679532-1 | INSERT, GUARD | 78 | | |
| 1 | 1 | 1 | - | | - | | | | | | 77 | | |
| 1 | 1 | 1 | - | | - | | | | | | 76 | | |
| 1 | 1 | 1 | - | | - | | | | | | 75 | | |
| 1 | 1 | 1 | - | | A | | | | 690603-1 | SPRING, ASSIST | 74 | | |
| 1 | 1 | 1 | - | | A | | | | 23030-1 | SCR, SHC (6-32x.25 SL)INS DISC | 73 | | |
| 1 | 1 | 1 | - | | A | | | | 458109-1 | WASHER, SPECIAL | 72 | | |
| 1 | 1 | 1 | - | | A | | | | 690517-1 | SPACER | 71 | | |
| -3 | -2 | -1 | U/M | DWG SIZE | PART NO | DESCRIPTION | | ITEM NO | | | | | |

| QTY | RECD | PER | ASSY | U/M | DWG SIZE | PART NO | DESCRIPTION | ITEM NO |
|-----|------|-----|------|----------|----------|-------------|--------------------------------|---------|
| 1 | 1 | 1 | - | | A | 690603-1 | SPRING, ASSIST | 74 |
| 1 | 1 | 1 | - | | A | 23030-1 | SCR, SHC (6-32x.25 SL)INS DISC | 73 |
| 1 | 1 | 1 | - | | A | 458109-1 | WASHER, SPECIAL | 72 |
| 1 | 1 | 1 | - | | A | 690517-1 | SPACER | 71 |
| -3 | -2 | -1 | U/M | DWG SIZE | PART NO | DESCRIPTION | ITEM NO | |

| QTY RECD PER ASSY | | | PARTS LIST | | | | |
|-------------------|---|---|------------|---|------------|--------------------------|----|
| 1 | 1 | 1 | - | A | 691668-1 | GUARD, CHIP (REAR) | 17 |
| 1 | 1 | 1 | - | B | 318563-1 | GUARD, CHIP (FRONT) | 16 |
| 1 | 1 | 1 | - | B | 1-690464-3 | PLATE, SHEAR (REAR) | 15 |
| 1 | 1 | 1 | - | B | 1-690462-3 | HOLDER, SHEAR (REAR) | 14 |
| 1 | 1 | 1 | - | C | 690463-1 | SHEAR, FLOAT (REAR) | 13 |
| 2 | 2 | 2 | - | A | 5-22280-0 | SPRING, SHEAR | 12 |
| 2 | 2 | 2 | - | B | 690461-1 | STOP, SHEAR | 11 |
| 1 | 1 | 1 | - | C | 690459-1 | HOLDER, SHEAR (FRONT) | 10 |
| 1 | 1 | 1 | - | C | 454276-1 | SHEAR, FLOAT (FRONT) | 9 |
| 1 | 1 | 1 | - | C | 3-805887-2 | ANVIL | 8 |
| 1 | 1 | 1 | - | C | 6-240641-5 | SPACER, DEPRESSOR (REAR) | 7 |
| 1 | 1 | 1 | - | A | 1-690468-4 | DEPRESSOR, SHEAR (REAR) | 6 |
| 1 | 1 | 1 | - | C | 1-455889-4 | DEPRESSOR, SHEAR (FRONT) | 5 |
| 1 | 1 | 1 | - | B | 238011-7 | SPACER, BLOCK CRIMPER | 4 |
| 1 | 1 | 1 | - | C | 2-456134-2 | CRIMPER, INSULATION | 3 |
| 1 | 1 | 1 | - | C | 455888-6 | SPACER, CRIMPER | 2 |
| 1 | 1 | 1 | - | C | 3-456406-3 | CRIMPER, WIRE | 1 |

THIS DRAWING IS A CONTROLLED DOCUMENT.

THIS DRAWING IS UNRELEASED. RELEASE FOR PUBLICATION BY AMP INCORPORATED. ALL RIGHTS RESERVED. © COPYRIGHT 2000

1385200