

4

3

2

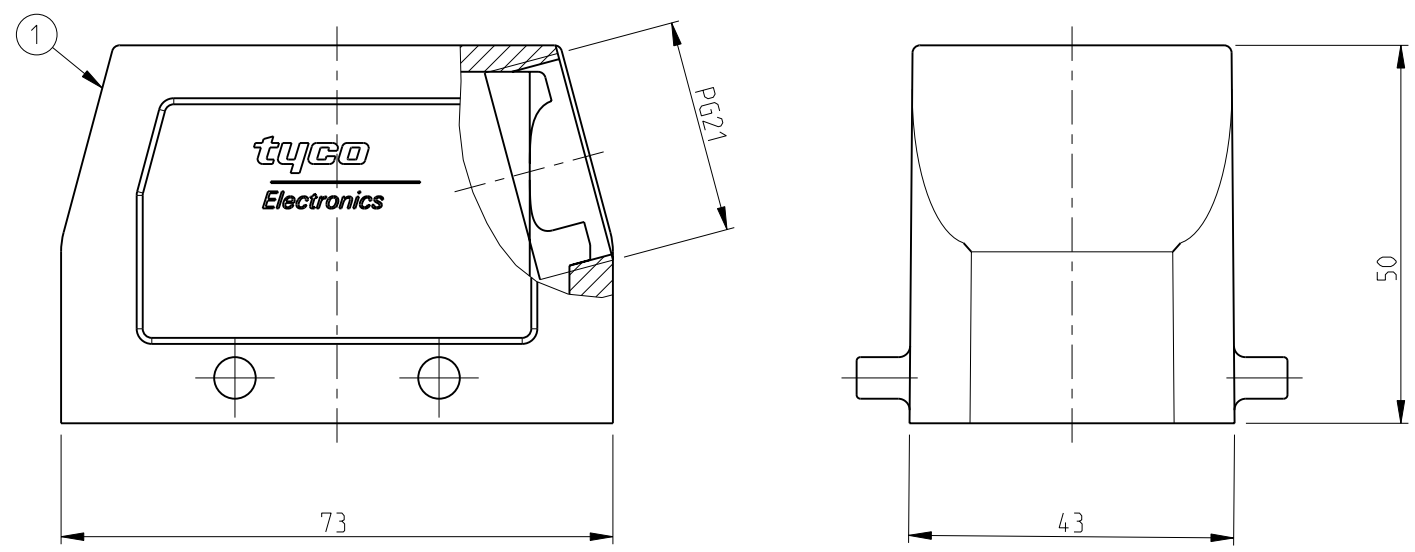
1

THIS DRAWING IS UNPUBLISHED. RELEASED FOR PUBLICATION .1997

© COPYRIGHT 1997 BY TYCO ELECTRONICS CORPORATION. ALL RIGHTS RESERVED.

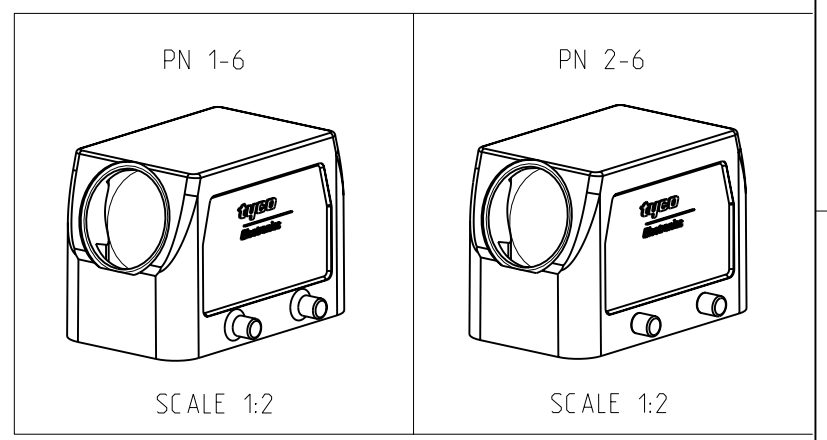
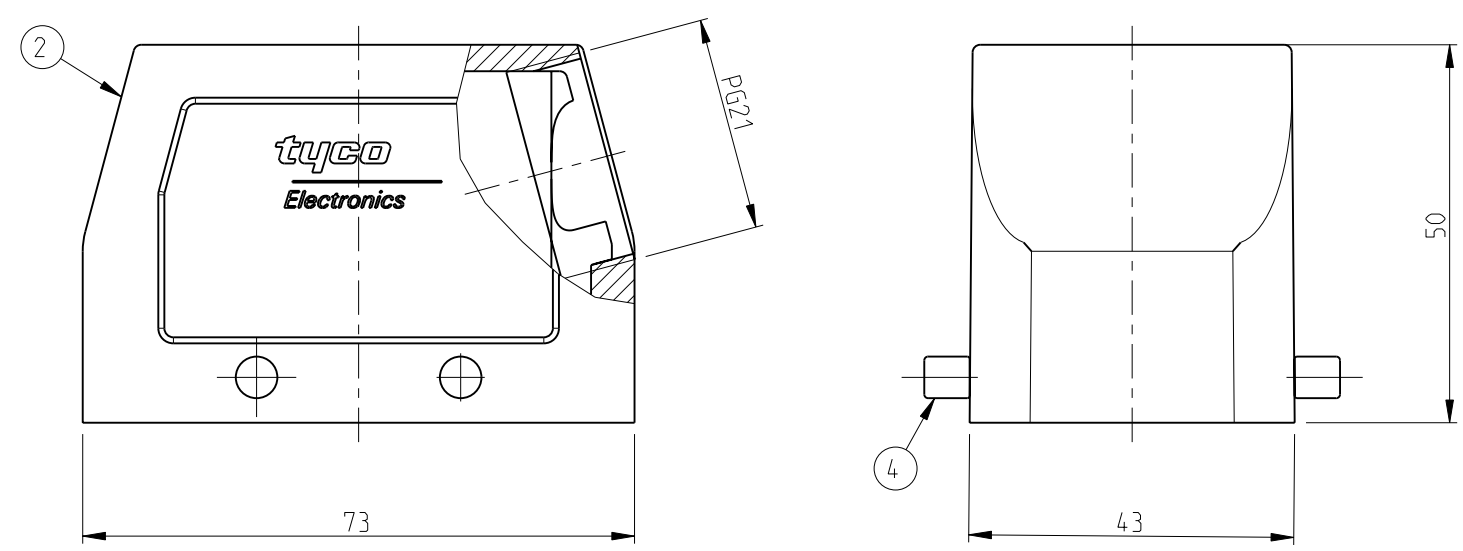
LOC	DIST	REVISIONS					
		P	LTR	DESCRIPTION	DATE	DWN	APVD
A1	-		A4	Released as per ECR-07-030422	17.12.07	SP	TS

PN 1-6



- NOTES.
- 1 Material:Housing:Aluminium Diecasting Alloy
  - 2 Surface-Powder Varnish Grey  
-Aluminium Oxide +  
Varnish Black
  - 3 Varnish on the inside not necessary
  - 4 Packaging  
Quantity 5 Pieces in a box

PN 2-6



ITEM NO	DESCRIPTION	MATERIAL	SURFACE	COLOR	REMARKS
4	VS-Clip bolt	Stainless steel	-	-	3
1	Hood HB.10.PG.1.21	Aluminium	Aluminium oxide	Black	2
1	Hood HB.10.PG.1.21	Aluminium	-	Grey	1

ORDERING TEXT  
 HB.10.STS.1.21.G  
 HB-K.10.STS.1.21.G

<small>THIS DRAWING IS A CONTROLLED DOCUMENT FOR TYCO ELECTRONICS CORPORATION IT IS SUBJECT TO CHANGE AND THE CONTROLLING ENGINEERING ORGANIZATION SHOULD BE CONTACTED FOR THE LATEST REVISION.</small>		DWN Kramer 11.05.98 CHK Braun 10.11.98 APVD - PRODUCT SPEC 108-74003 APPLICATION SPEC 114-74001 WEIGHT -	Tyco Electronics Tyco Electronics.AMP.GmbH D-53819.Neunkirchen.Germany
DIMENSIONS: mm 	TOLERANCES UNLESS OTHERWISE SPECIFIED: <small>n:ISO 8013 m:ISO 2768-mH-E p:QIN 16901-120</small> 0 PLC ± 1 PLC ± 2 PLC ± 3 PLC ± 4 PLC ± ANGLES ± FINISH -	NAME Hood HB.10.STS.1.21.G SIZE A3 CAGE CODE 00779 DRAWING NO ©=1102264 RESTRICTED TO -	CUSTOMER DRAWING SCALE 1:1 SHEET 1 OF 1 REV A4