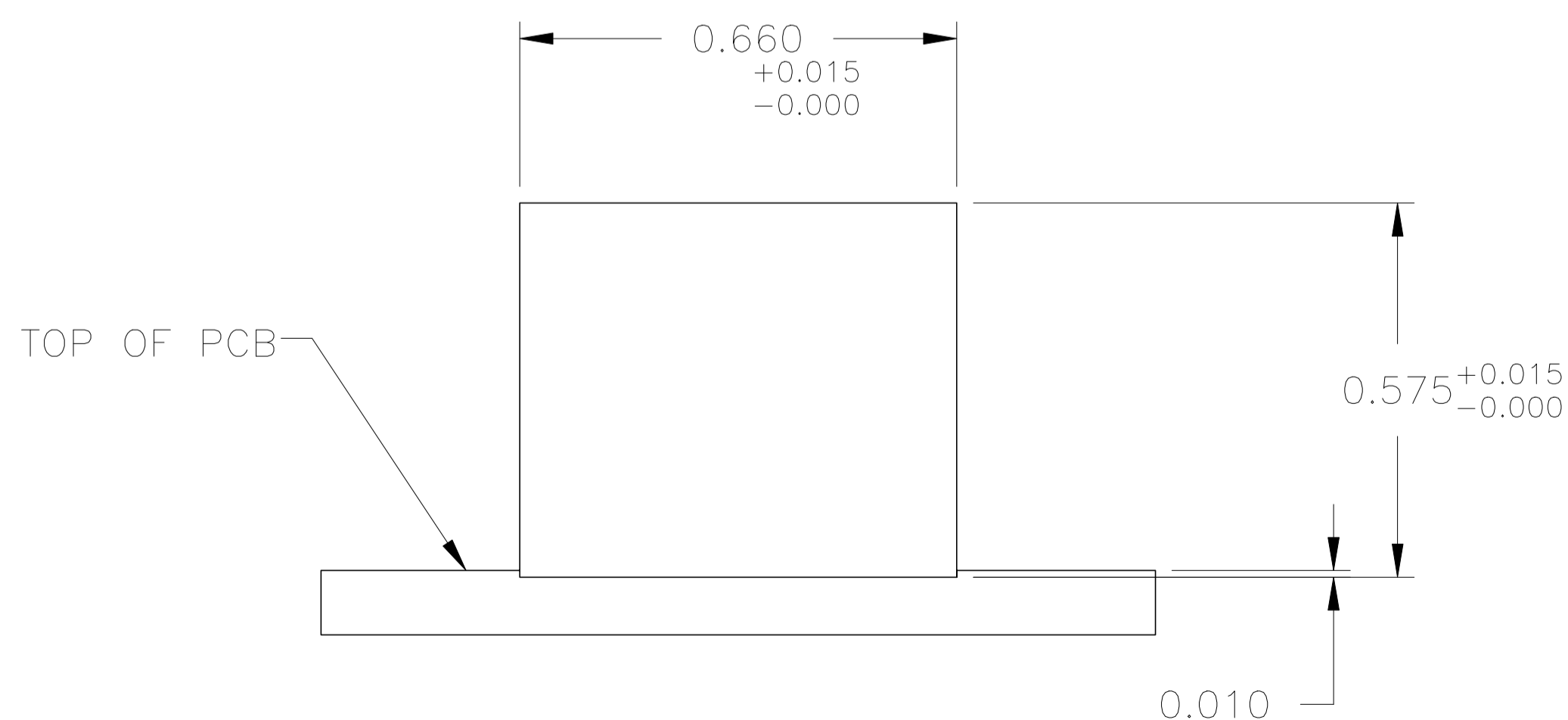
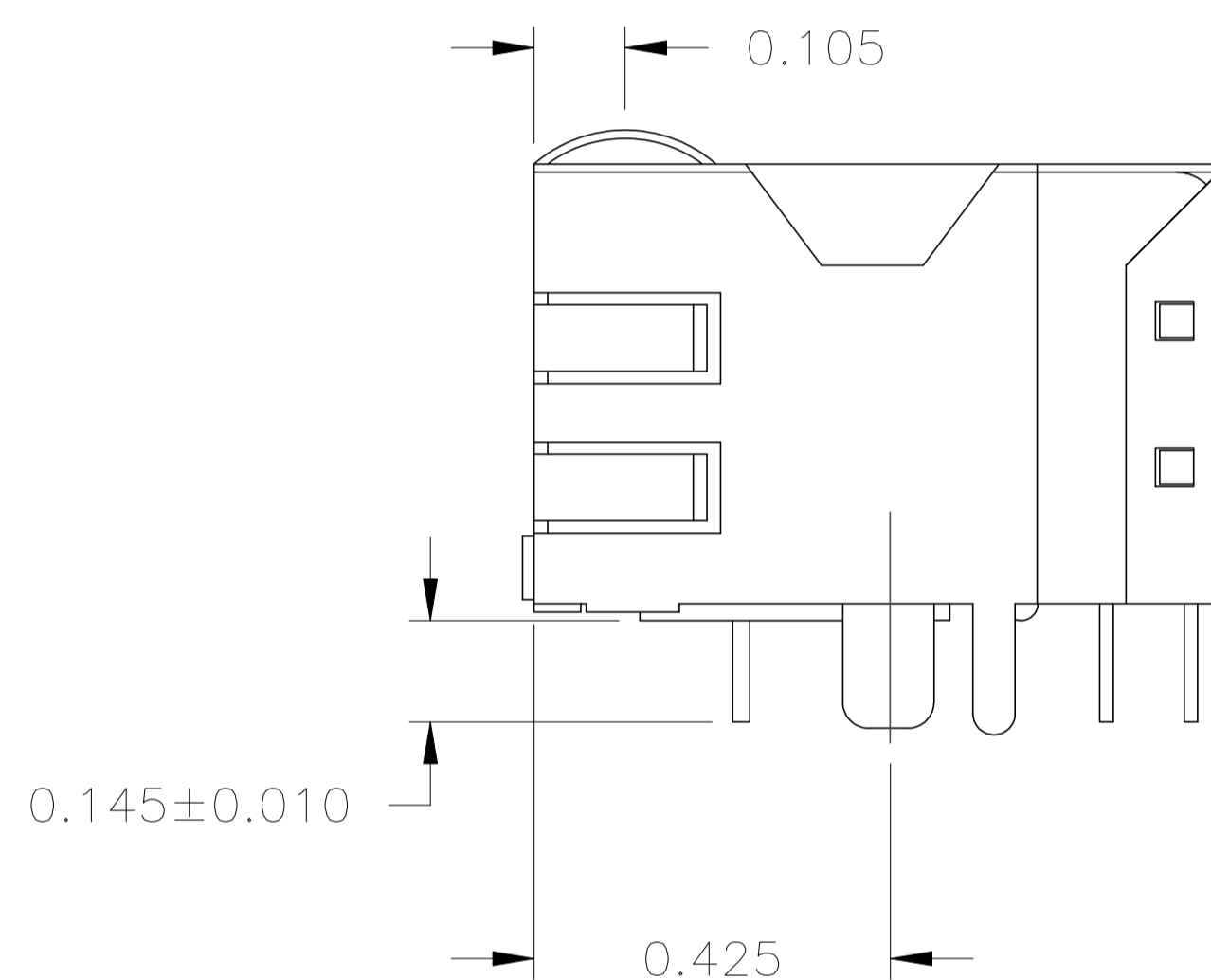
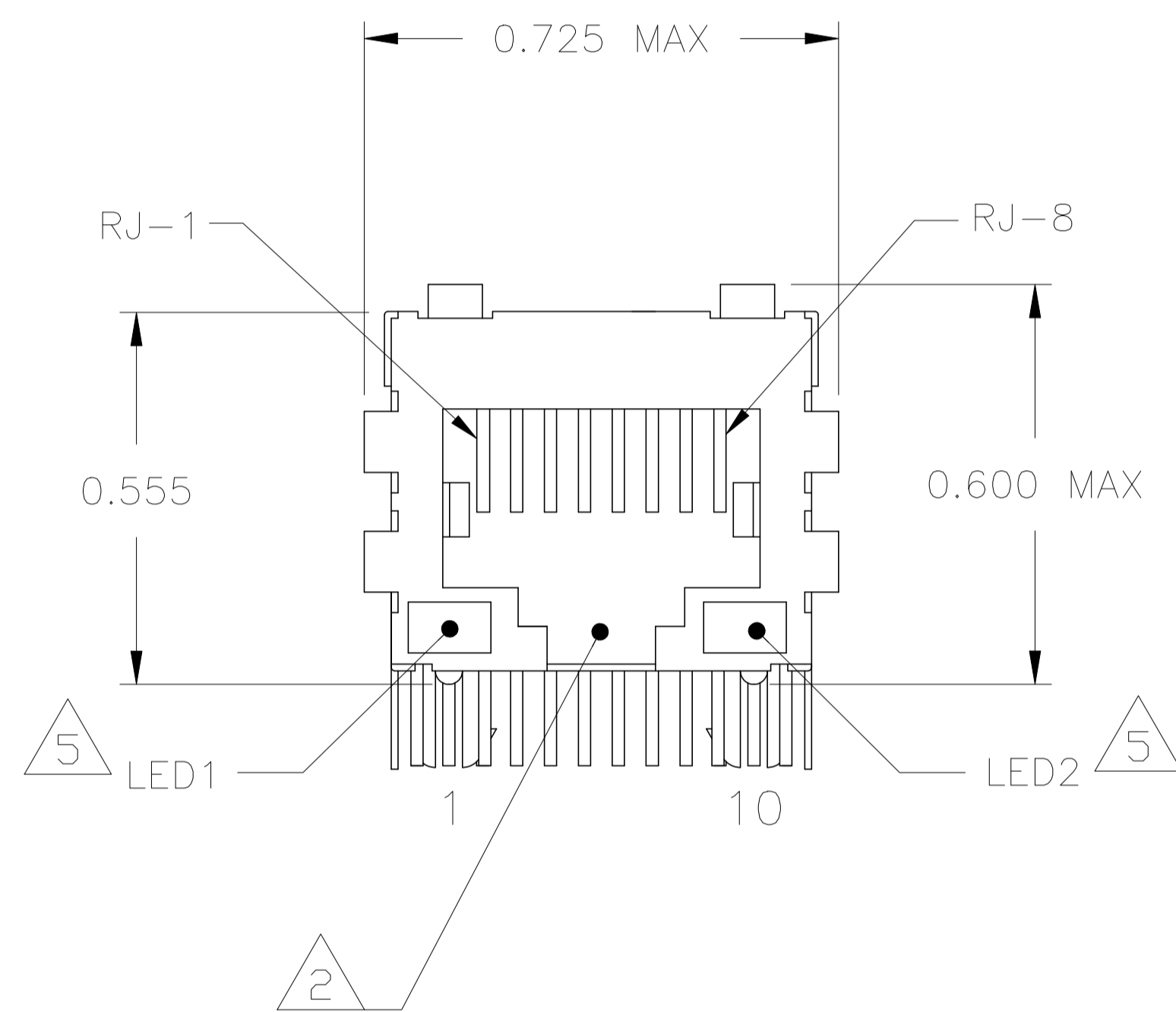
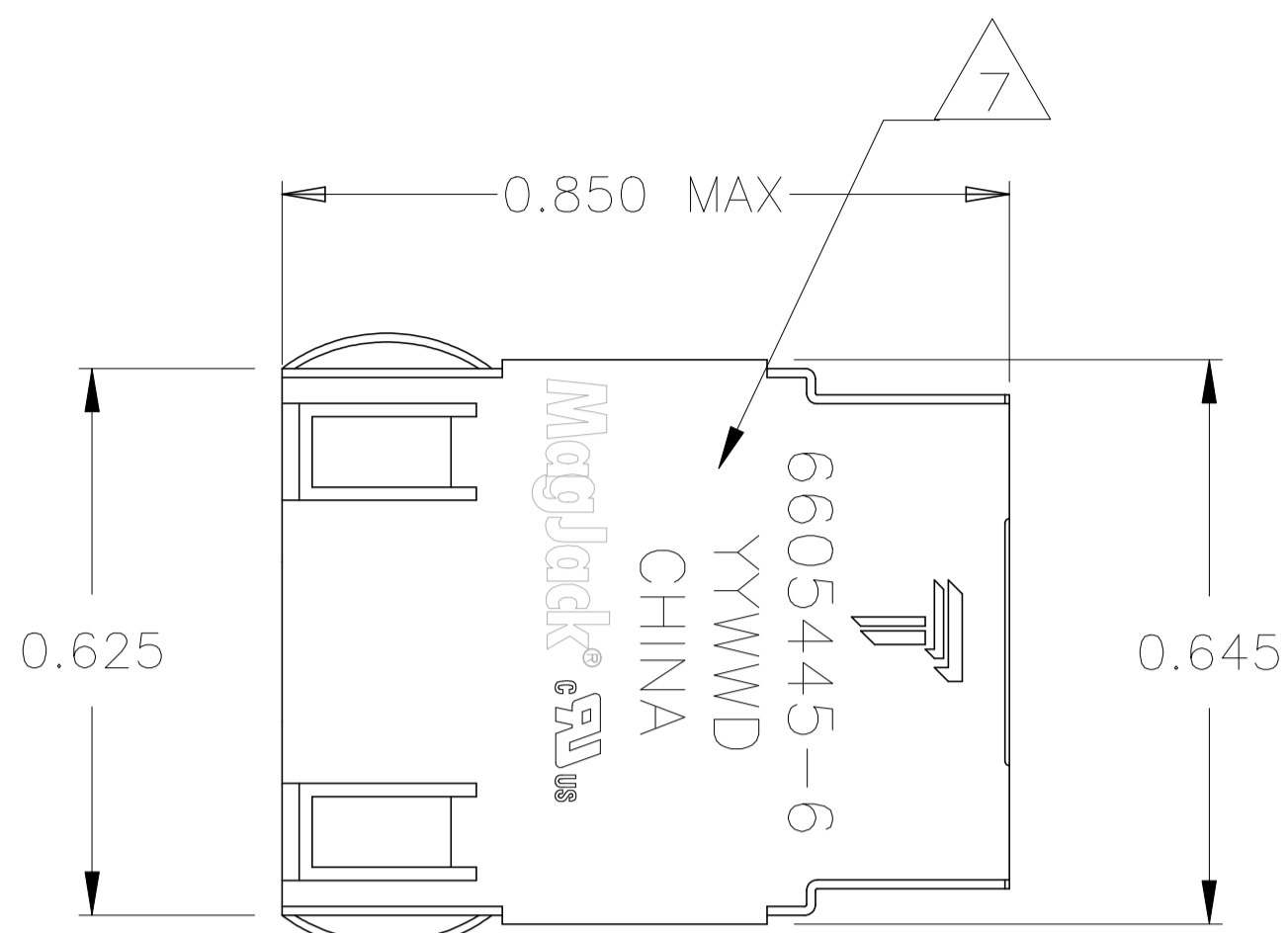


THIS DRAWING AND THE SUBJECT MATTER SHOWN THEREON ARE CONFIDENTIAL AND THE PROPERTY OF BEL/STEWART/TRP CONNECTOR AND SHALL NOT BE REPRODUCED, COPIED, OR USED IN ANY MANNER WITHOUT THE WRITTEN CONSENT OF TRP CONNECTOR.

PRODUCT MAY BE PROTECTED BY ONE OR MORE OF THE FOLLOWING US PATENTS:
 5736910 5939955 6425781 6428361 6554638 6840817 7123117
 7429195 7717749 7808751 6217391 6149050 7924130

| REVISIONS | | | | | | |
|-----------|-----|-----|--------------------------------|-----------|-----|------|
| P | LTR | REV | DESCRIPTION | DATE | DWN | APVD |
| H | | | EC-1411035 COMPANY LOGO CHANGE | 29DEC2014 | ST | TL |

MECHANICAL:



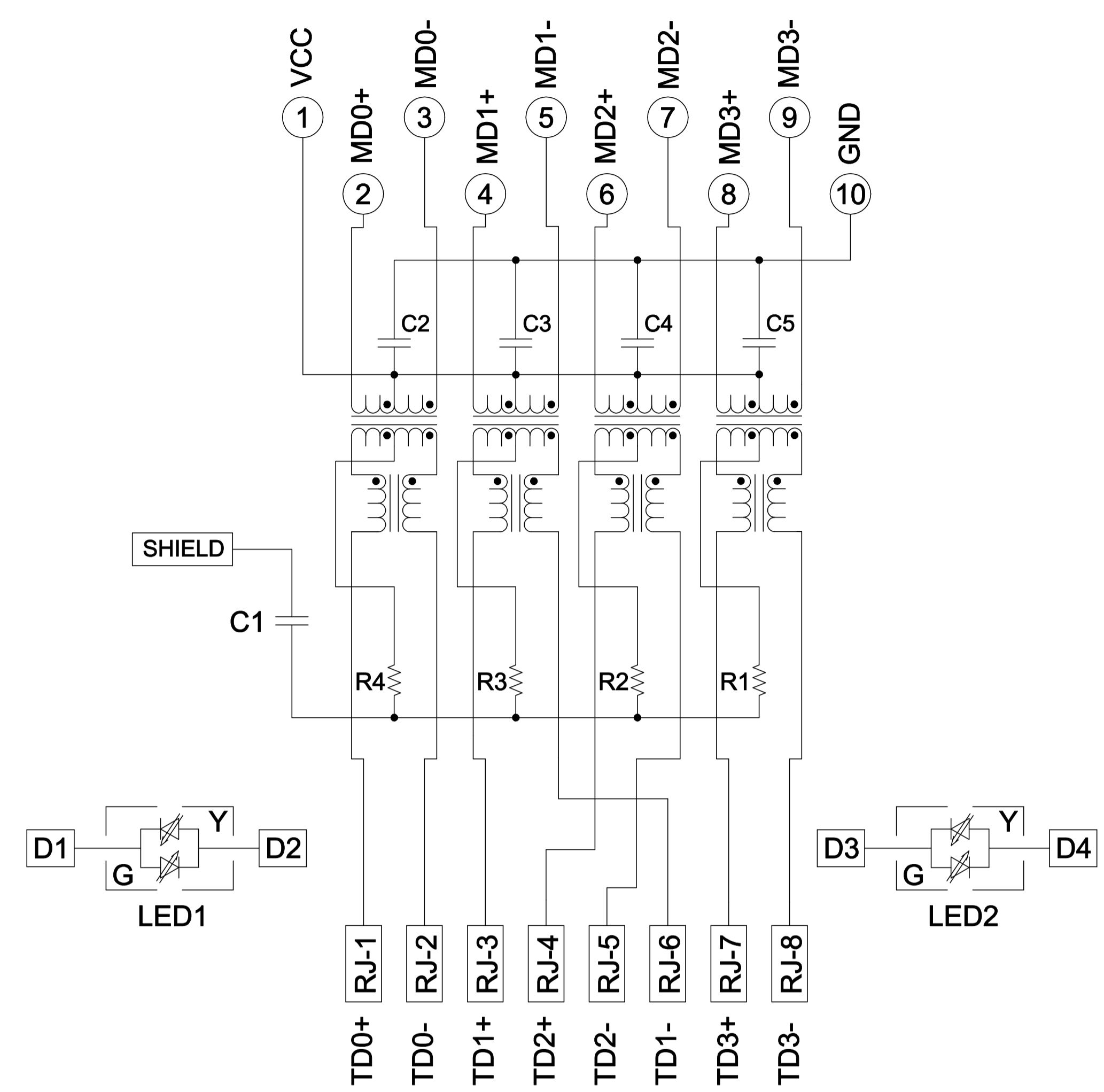
Suggested Panel Cutout

- HOUSING - THERMOPLASTIC PET POLYESTER FLAMMABILITY RATING UL 94V-0.
 SHIELD - 0.010" THICK, C26800 BRASS PREPLATED WITH 30μINCH MIN SEMI-BRIGHT NICKEL. SOLDER TABS POST DIPPED WITH 100μINCH MIN SAC SOLDER.
 MOD JACK CONTACTS - 0.0157" X 0.018" PHOSPHOR BRONZE, 50μINCH MIN OVERALL NICKEL UNDERPLATE WITH SELECT 50μINCH MIN HARD GOLD FINISH PLATE.
 SOLDER TAILS WITH 100μINCH MIN MATTE TIN AND/OR SAC SOLDER DIP.
 LIGHT EMITTING DIODE(LED) - DIFFUSED EPOXY LENS, 0.020" X 0.020" CARBON STEEL WIREFRAME LEADS PRE-PLATED WITH 80μINCH SILVER OVER 40μINCH NICKEL UNDERPLATE OVER 40μINCH COPPER UNDERPLATE. POST-PLATED WITH 100μIN MIN MATTE TIN AND/OR SAC SOLDER DIP OR PURE TIN SOLDER DIP.
- RJ45 JACK CAVITY CONFORMS TO FCC RULES AND REGULATIONS PART 68, SUB PART F.
- MAGNETICS
 -IMPEDANCE: 100 OHMS
 -TURNS RATIO (CHIP:CABLE): 1:1 ALL FOUR PAIRS
 -OPEN CIRCUIT INDUCTANCE (OCL): 350μH MIN @100kHz, 0.1VRMS, 8mADC BIAS FROM 0°C TO 70°C, ALL FOUR PAIRS
 -ALL FOUR PAIRS BI-DIRECTIONAL
 -PERFORMANCE @ 25°C:
 INSERTION LOSS (IL): 1.1dB MAX FROM 0.5MHz TO 100MHz
 RETURN LOSS (RL): 18dB MIN FROM 0.5MHz TO 40MHz
 12-20LOG(f/80)dB MIN FROM 40.1MHz TO 100MHz
 CROSSTALK ATTENUATION: 35dB MIN FROM 0.5MHz TO 40MHz
 33-20xLOG(f/50)dB MIN FROM 40.1MHz TO 100MHz
 COMMON MODE REJECTION RATIO (CMRR): 30dB MIN FROM 0.5MHz TO 100MHz
 -ISOLATION VOLTAGE:2250VDC (MAX) FOR 60 SECONDS WITH A RISE TIME OF 500V/SEC.
- OPERATING TEMPERATURE: FROM 0°C TO +70°C.
- LEDs ARE DRIVEN WITH CONSTANT CURRENT AT APPROX 20 mA
 LED COLOR: DOMINANT WAVELENGTH (λD): GREEN 568 nm TYP @ IF=20 mA
 FORWARD VOLTAGE (VF): GREEN 2.2V TYP @ IF=20 mA
 DOMINANT WAVELENGTH (λD): YELLOW 588 nm TYP @ IF=20 mA
 FORWARD VOLTAGE (VF): YELLOW 2.1V TYP @ IF=20 mA
- INDICATED MAGNETIC CONNECTIONS ARE SYMMETRIC TO SUPPORT AUTO-MDI/MDIX.
- TRP CONNECTOR LOGO, PART NUMBER, DATE CODE, COUNTRY OF ORIGIN AND AGENCY APPROVAL MARKING IN APPROXIMATE LOCATION SHOWN.
- THE PART IS RECOMMENDED FOR WAVE SOLDERING PROCESS, PEAK WAVE SOLDERING TEMPERATURE IS 265°C MAX, 10 SECONDS MAX.

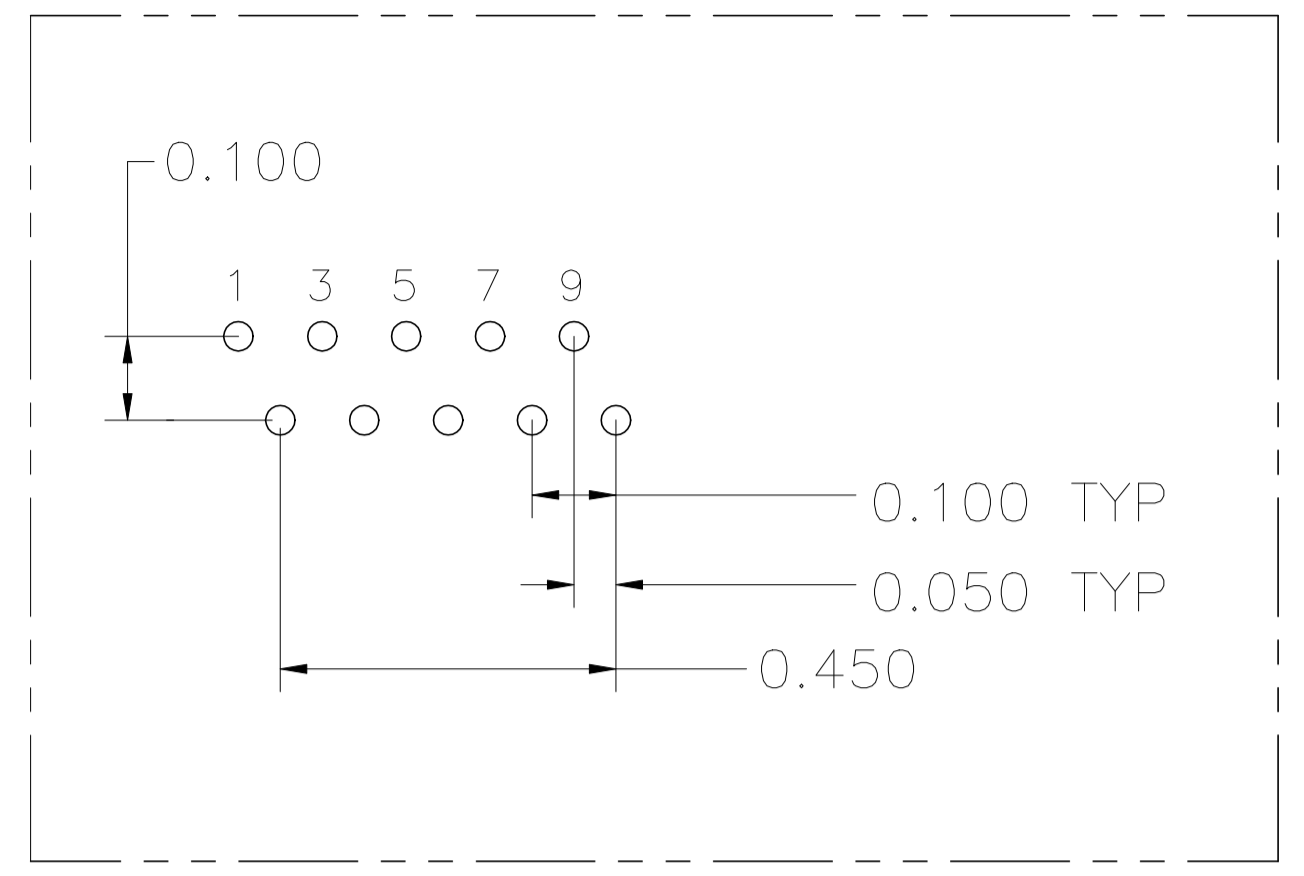
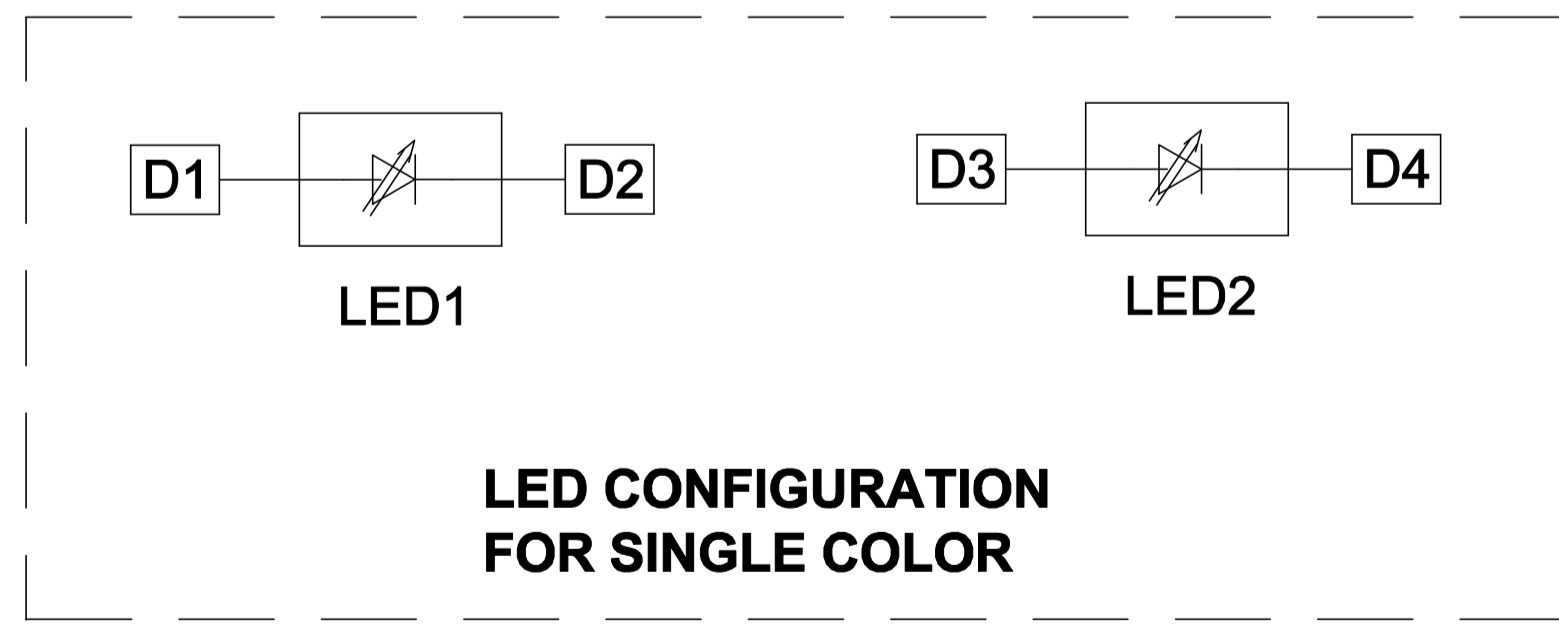
| | | |
|--------------|--------------|-------------|
| YELLOW | GREEN | 6605445-9 |
| GREEN | YELLOW | 6605445-8 |
| GREEN/YELLOW | GREEN/YELLOW | 6605445-6 |
| 5 LED1 | 5 LED2 | PART NUMBER |

| | | | | | | | |
|--|--|--|--|--------------------------|--|----------------|--|
| THIS DRAWING IS A CONTROLLED DOCUMENT. | | DIN A FERNANDEZ-DUCKS 04MAR2005 | | trp CONNECTOR | | DONGGUAN CHINA | |
| DIMENSIONS: INCHES | | TOLERANCES UNLESS OTHERWISE SPECIFIED: | | APVD D. FAROLE 04MAR2005 | | MODEL NAME | |
| 0 PLC ± - | | 1 PLC ± - | | 2 PLC ± 0.010 | | 3 PLC ± 0.005 | |
| 4 PLC ± - | | ANGLES ± - | | APPLICATION SPEC | | MAGJACK | |
| PRODUCT SPEC 108-2100 | | - | | SINGLE NON-POE | | SIZE A1 | |
| CUSTOMER DRAWING | | SCALE NTS | | SHEET 1 OF 2 | | REV H | |

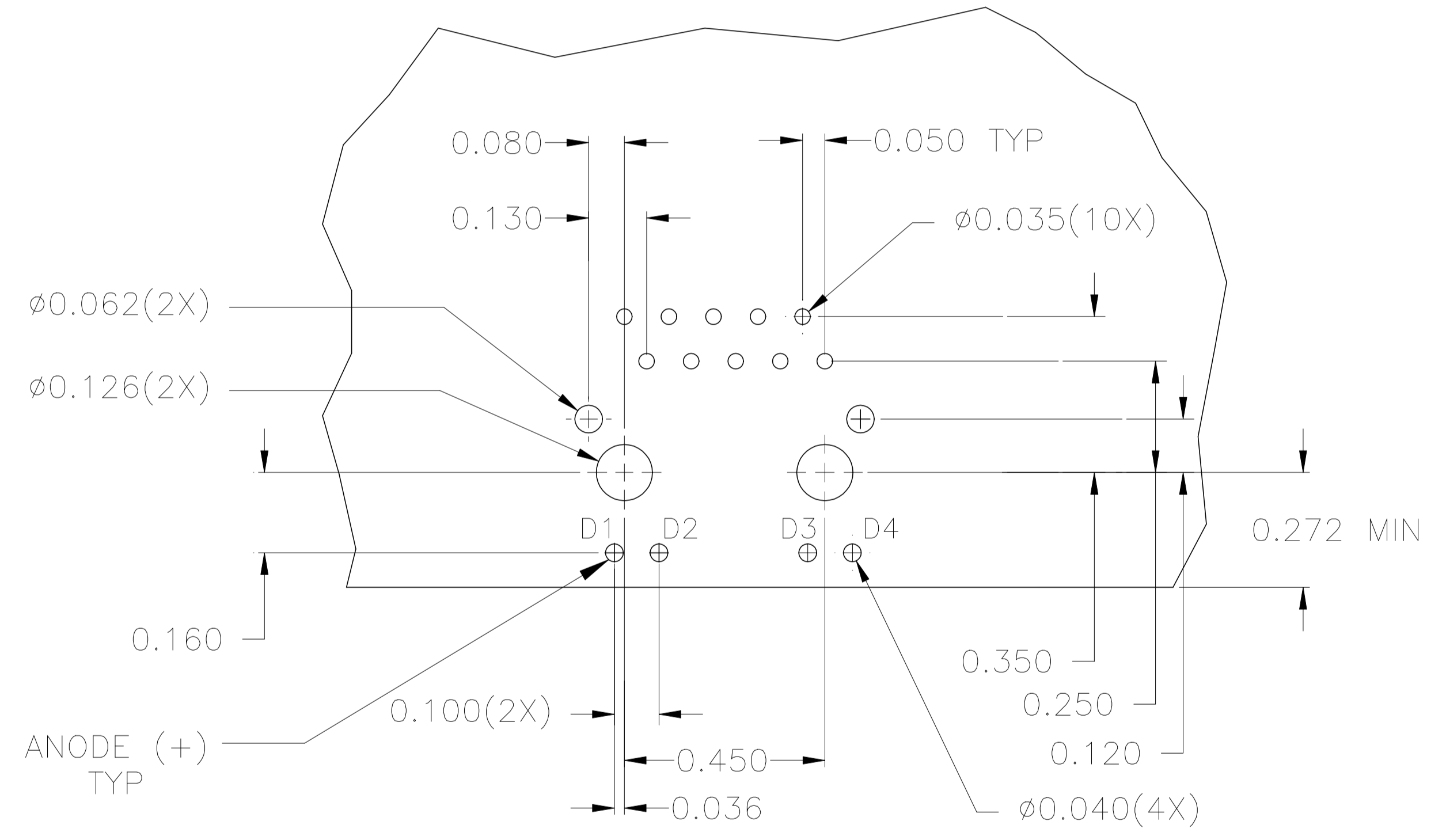
4G06P1 Series GIGABIT Magnetic Circuit 3 6



C1 = 1000 pF, 2kV DECOUPLING CAPACITOR
 R1-R4 = 75 OHMS, 1/16W RESISTORS
 C2-C5 = 0.1uF, 50V, X7R CAPACITORS



Pin Designations



Suggested PCB Layout
(Component Side)

| | | | | |
|---|--|--------------------------------------|--|---|
| THIS DRAWING IS A CONTROLLED DOCUMENT. | | DIN A FERNANDEZ-DOCKS 04MAR2005 | | DONGGUAN CHINA |
| DIMENSIONS: INCHES | | C/K D FAROLE 04MAR2005 | | |
| 0 PLC ± - 1 PLC ± - 2 PLC ± 0.010 3 PLC ± 0.005 4 PLC ± - ANGLES ± - APPLICATION SPEC - | | MODEL NAME MAGJACK SINGLE NON-POE | | DESC 1X1 4G06P1 GIGABIT TAB DOWN W/ LED SIZE A1 CAGE CODE DRAWING NO. 6605445 RESTRICTED TO - |
| PRODUCT SPEC 108-2100 | | CUSTOMER DRAWING | | SCALE NTS SHEET 2 OF 2 REV H |