

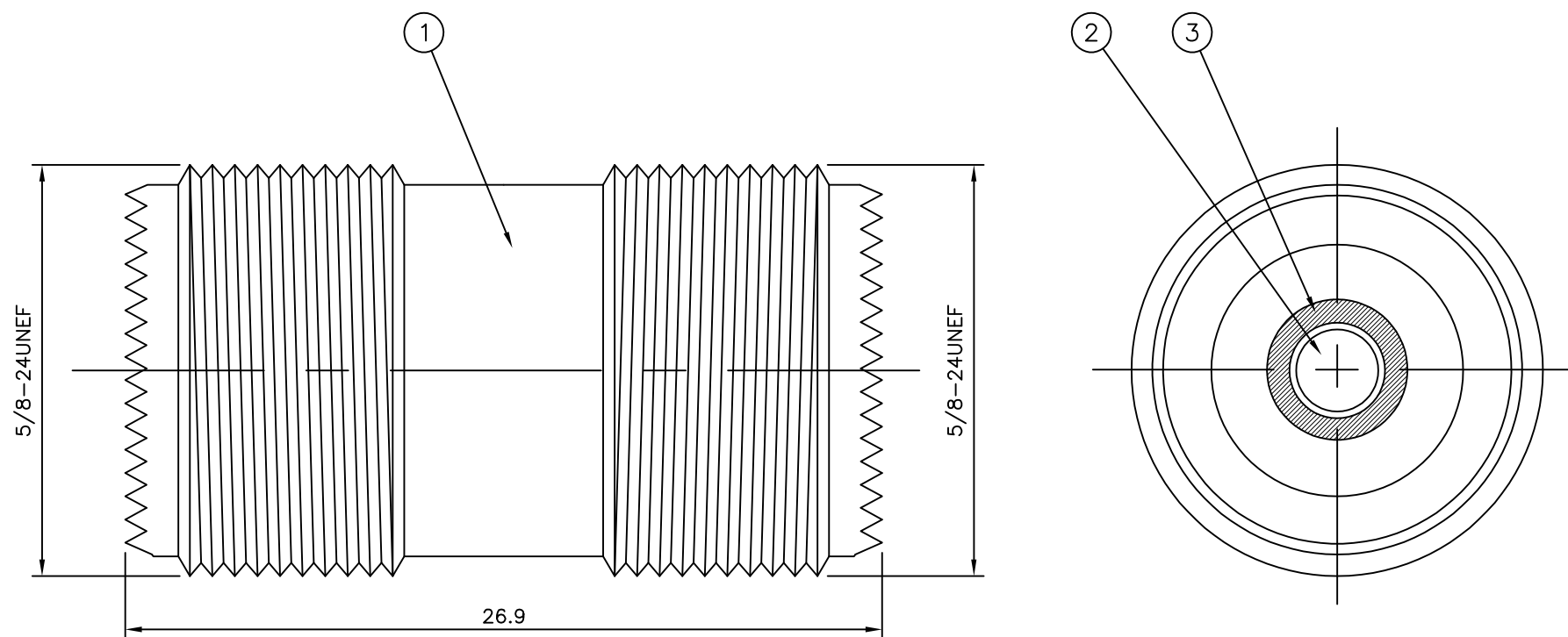
THIS DRAWING IS UNPUBLISHED. RELEASED FOR PUBLICATION JAN , 2007.

© COPYRIGHT 2007 BY TYCO ELECTRONICS CORPORATION. ALL RIGHTS RESERVED.

LOC E	DIST B	REVISIONS			
P	LTR	DESCRIPTION	DATE	DWN	APVD
	B	REVISED PER ECO-09-003420	19FEB09	ANS	BOB

NOTES

- 1 SINGLE PACK IN ACCORDANCE WITH AMP SPEC 107-3275
- 2 100 TRAY PACK IN ACCORDANCE WITH AMP SPEC 107-3275
- 3 NICKEL PLATING
- 4. FOR TECHNICAL DATA REFER TO YOUR LOCAL TYCO ELECTRONICS SALES OFFICE
- 5. ALL DIMENSIONS ARE NOMINAL FOR REFERENCE ONLY UNLESS OTHERWISE STATED



			1	1	POM	INSULATOR	3
			1	1	BRASS	CONTACT	2
			1	1	ZINC ALLOY	BODY	1
		5--15--0			MATERIAL	DESCRIPTION	ITEM
QUANTITY PER ASSY				PARTS LIST			

THIS DRAWING IS A CONTROLLED DOCUMENT.		DWN ANSON MA 14FEB09	Tyco Electronics Corporation Kunshan, Jiangsu, PRC 215312													
DIMENSIONS: mm		CHK RITA ZUO 14FEB09	NAME UHF STRAIGHT ADAPTER J-J NICKEL PLATED													
TOLERANCES UNLESS OTHERWISE SPECIFIED:		APVD BOB ZHAO 14FEB09	PRODUCT SPEC 108-112000													
<table border="0"> <tr><td>0 PLC</td><td>± -</td></tr> <tr><td>1 PLC</td><td>± 0.3</td></tr> <tr><td>2 PLC</td><td>± -</td></tr> <tr><td>3 PLC</td><td>± -</td></tr> <tr><td>4 PLC</td><td>± -</td></tr> <tr><td>ANGLES</td><td>± -</td></tr> </table>		0 PLC	± -	1 PLC	± 0.3	2 PLC	± -	3 PLC	± -	4 PLC	± -	ANGLES	± -	APPLICATION SPEC -		RESTRICTED TO -
0 PLC	± -															
1 PLC	± 0.3															
2 PLC	± -															
3 PLC	± -															
4 PLC	± -															
ANGLES	± -															
MATERIAL SEE TABLE		FINISH -	WEIGHT -	SIZE A3	CAGE CODE 00779											
CUSTOMER DRAWING			DRAWING NO G-1814817	SCALE NTS	SHEET 1 OF 1											
			REV B													