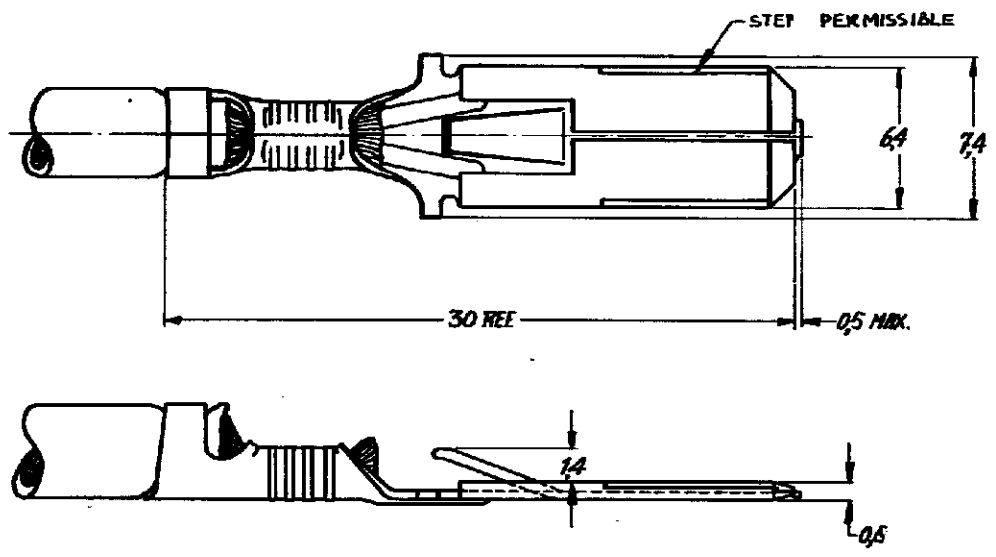


NUMBER C-160450-E

DRAWING MADE IN AMERICAN PROJECTION

REVISIONS

P	LTR	DESCRIPTION MODIFICATIONS	DATE	DWN	APVD
C1		REVISED PER ECO-10-000445	18JAN10	KK	HMR



- 1 FOR USE ON STANDARD APPLICATORS (RIGHT-LEFT FEED)
- 2 FOR USE ON MINIATURE APPLICATORS (LEFT-RIGHT FEED ; AMP-O-MATOR APPLICATORS)
- 3 OBSOLETE PARTS: OBSOLETE CIS STREAMLINING PER D.RENAUD/D.SINISI

DIMENSIONS IN IN. DO NOT SCALE PRINT

160450-6	PHOSPHOR BR	TIN-LEAD	H2
160450-5	BRASS	SILVER	1
160450-4	BRASS	NONE	1
160450-3	PHOSPHOR BR.	SILVER	1
160450-2	PHOSPHOR BR.	TIN	H2
160450-1	PHOSPHOR BR.	—	1
ORDER NO.	MATERIAL	PLATING	WIRE
DR <i>[Signature]</i>	DATE 12-2-68	DE <i>[Signature]</i>	DATE 2/12/69
CHK	DATE	APP <i>[Signature]</i>	DATE 1/12/69

CUSTOMER COPY FOR REFERENCE ONLY

©1968 BY AMP-HOLLAND N.V. ALL RIGHTS RESERVED A-MP PRODUCTS COVERED BY PATENTS AND/OR PATENTS PENDING.

AMP
AMP-HOLLAND N.V.
HERTOGENBOSCH
HOLLAND

WIRE RANGE	INSUL. RANGE	FIRST USED		
08-25 mm ²	3-4 mm			
SCALE	LOC	SIZE	NO	REV
4:1	H	A	C-160450-E	C1

NAME 250 SERIES FASTIN-FASTON TAB