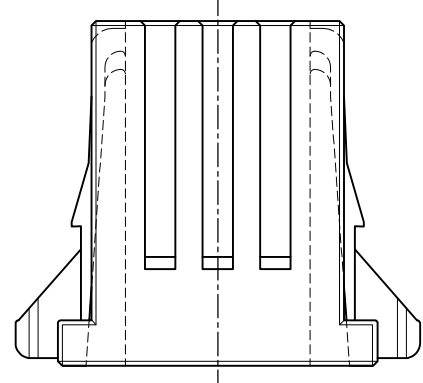
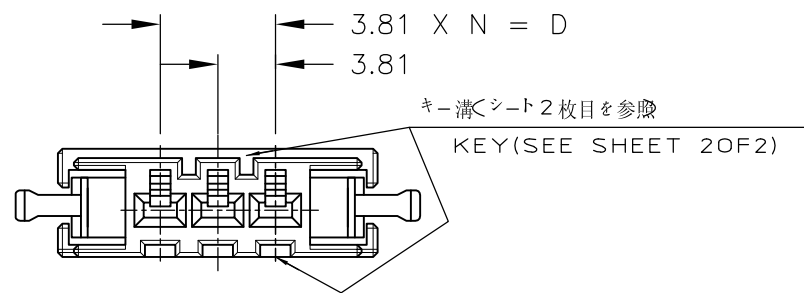
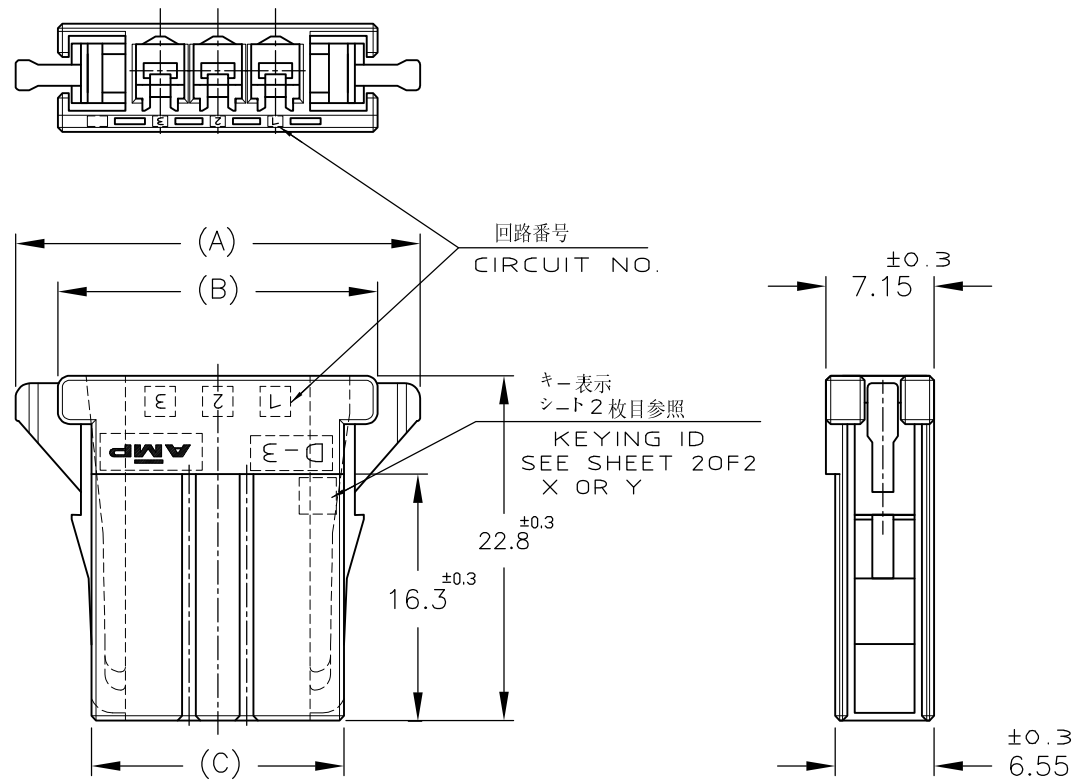


NUMBER 178288



METRIC

PRINT DIST 単位 概 DIMENSIONS IN MM. DO NOT SCALE PRINT



NOTE

1 MATERIAL: GLASS FIELD THERMO PLASTIC, POLYESTER
 COLOR: BLACK
~~△ TO COAT ALL SURFACE OF HOUSING WITH TEFLON~~

注記

1 材料: ガラス入り熱可塑性ポリエステル樹脂
 色: 黒色
~~△ ハウジング全面にテフロン塗装のこと~~

	10 POS.	53.43	47.83	43.37	34.29	9	2-178288-8
	10 POS.	53.43	47.83	43.37	34.29	9	1-178288-8
	8 POS.	45.81	40.12	35.97	26.67	7	1-178288-7
	6 POS.	38.19	32.59	28.13	19.05	5	2-178288-6
	6 POS.	38.19	32.59	28.13	19.05	5	1-178288-6
	5 POS.	34.38	28.78	24.32	15.24	4	1-178288-5
	4 POS.	30.57	24.97	20.51	11.43	3	2-178288-4
	4 POS.	30.57	24.97	20.51	11.43	3	1-178288-4
OBSOLETE	△ 3 POS.	26.76	21.16	16.7	7.62	2	6-178288-3
OBSOLETE	△ 3 POS.	26.76	21.16	16.7	7.62	2	5-178288-3
	3 POS.	26.76	21.16	16.7	7.62	2	2-178288-3
	3 POS.	26.76	21.16	16.7	7.62	2	1-178288-3
FINISH	POS.						
	DIMENSION	A	B	C	D	N	PART NUMBER

				STE TE Connectivity			
				REC HSG FOR DYNAMIC, SINGLE ROW ダイナミック 3100リセハウジング			
				名義(NAME) C=178288			
				SIZE LOC 番号(No.) A3 J			
				尺度(SCALE) REV. SHEET 2-1 E4 1 OF 2			
				一般公差 (GENERAL TOLERANCE) 10以下: ±0.2 10以上 30以下: ±0.25 30以上 100以下: ±0.3 角度: ±3°			
				材料(MATERIAL) 仕上(FINISH) SEE NOTE 注記参照			
				抱合電線断面(WIRE RANGE) 被覆外径(INSULATION DIA.) mm² (AWG -) mmφ			
				DR. 9 JUL 91 DE. 9 JUL 91 N. Matsubara N. Matsubara			
				CHK. 17 JUL 91 APP. 17-DEC-'91 H. Obata S. MANABE			
				E4 REVISED PER ECO-11-005030 RK HMR 21MAR11			
				LTR 変更 (REVISION RECORD) DR CHK DATE			

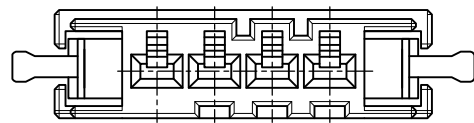
NUMBER 178288



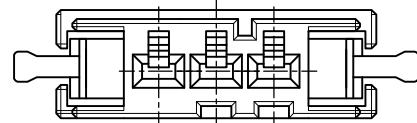
METRIC

PRINT DIST 单位 耗 DIMENSIONS IN MM. DO NOT SCALE PRINT

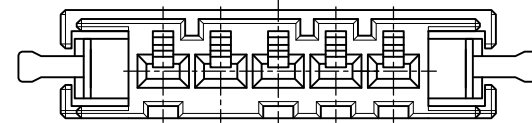
KEYING LOCATION



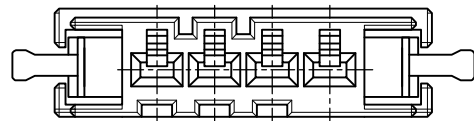
(P/N 2-178288-4 ONLY)
(KEYING: Y)



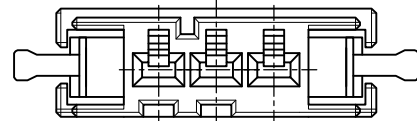
(P/N 2-178288-3 ONLY)
(KEYING: Y)



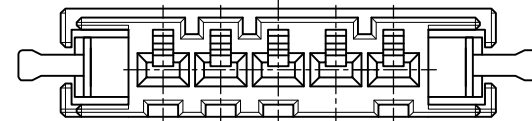
(P/N 2-178288-6,-8)
(KEYING: Y)



(P/N 1-178288-4 ONLY)
(KEYING: X)



(P/N 1-178288-3 ONLY)
(KEYING: X)



(P/N 1-178288-5,-6,-7,-8)
(KEYING: X)

					STE TE Connectivity			
					抱合電線断面(WIRE RANGE)	被覆外径(INSULATION DIA.)	名称(NAME)	
					mm(AWG -)	mmφ	REC HSG FOR DYNAMIC,SINGLE ROW ダイナミック-3100リセハウジング	
					材料(MATERIAL) SEE NOTE 注記参照	仕上(FINISH)	一般公差 (GENERAL TOLERANCE)	SIZE LOC 番号(No.)
					DR.	DE. OF 2	10以下 : ±0.2 10以上 30以下 : ±0.25 30以上 100以下 : ±0.3 角度 : ±3°	A3 J 178288
LTR	変更 (REVISION RECORD)	DR	CHK	DATE	CHK.	SEE 1 OF 2	尺度(SCALE)	REV. SHEET
							2-1	E4 2 OF 2

(CUSTOMER DRAWING) 顧客用図面