

A

B

C

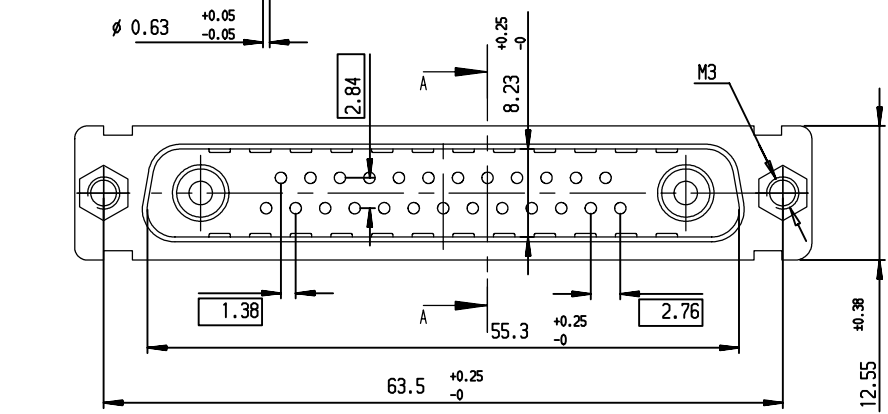
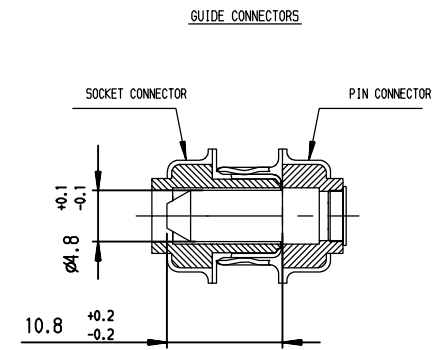
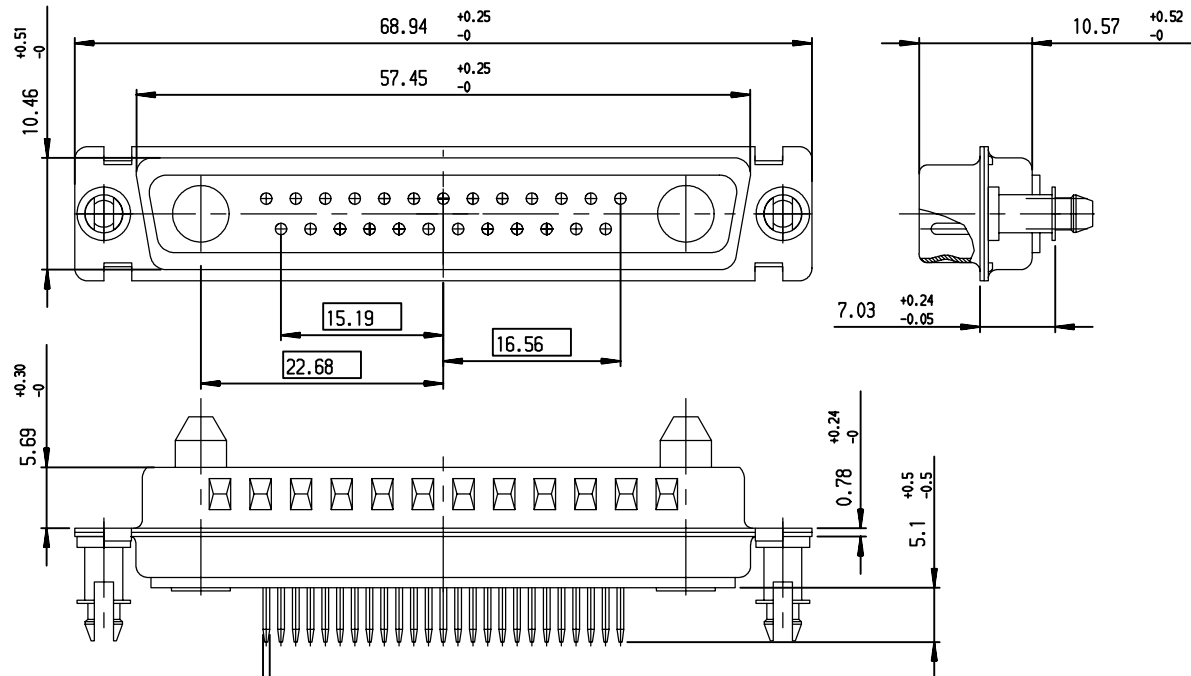
D

A

B

C

D



DCL27W2P300G1DLF
PART NUMBER

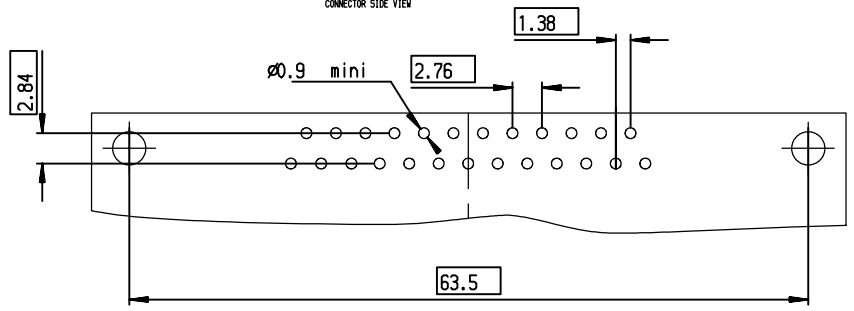
GENERAL CHARACTERISTICS AND ROHS INFORMATIONS
SEE DRAWING NUMBER: C01-8639-0000

European Views

www.fciconnect.com		surface ISO 1302 ✓	tolerance std ISO 406 ISO 1101	projection mm	size A3	Scale 1.5	
TOLERANCES UNLESS OTHERWISE SPECIFIED							
Dr	JARRY	2005/10/22	0.X	±0.1	ECN	LS06-0095	
Eng	PESSON	2005/10/22	0.XX	±0.1	Spec ref	-	
Chr	LEGARE	2005/10/22	0.XX' ±2'	0.XXX	Product family	D-SUB	
Appr	LEGARE	2005/10/22	Product family				D-SUB

LAYOUT DIMENSIONS (after plating)

CONNECTOR SIDE VIEW



rev	ecn no	dr	date
A	LS05-0090	MPE	2005/10/22
B	LS06-0095	LGO	2006/07/20
-	-	-	-
-	-	-	-
-	-	-	-
-	-	-	-

FCI title **PIN CONNECTOR WITH STRAIGHT CONTACT** catalog no -
 dwg no **C01-8639-2209** Rev. **B**
 CUSTOMER sheet 1 of 1



Copyright FCI.