

QUADRUS[®] MINI VELOCITY

High Speed Mini Imager for ID



The Quadrus MINI Velocity is optimized for the fastest reading in any dynamic application. The ultra-compact imager reads all standard 2D and linear barcodes, plus multiple codes per capture, at high speed with real time autofocus.

With easy setup and outstanding read rate performance, the Quadrus MINI Velocity is an ideal solution for virtually all dynamic barcode applications.

Quadrus MINI Velocity: At a Glance

- Decodes/second: up to 60
- Patented Quadrus Technology
- Autofocus
- Optional USB Connectivity

ESP ESP[®] Easy Setup Program: Single-point software provides quick and easy setup and configuration of all Microscan readers.

EZ TRAX EZ Trax[™]: Image capture and storage software provides tracking of symbol images.

EZ EZ Button: This performs reader setup and configuration with no computer required.

GOOD READ Visible Indicators: Performance indicators include "good read" green flash and LEDs, as well as the label positioning tool.

For more information on this product, visit www.microscan.com.

Dynamic, High Speed Reading

The Quadrus MINI Velocity decodes linear barcodes and 2D symbols omnidirectionally in moving applications at speeds over 100 inches per second (254 cm/sec).

Autofocus

For real time dynamic autofocus, position the symbol at the center of the field of view, and push the EZ button. The Quadrus MINI Velocity automatically adjusts focal distance and sets internal parameters to optimize the symbol.

Wide Field of View

High resolution zero-distortion optics, diffractive full field illumination, and a wide field of view allow symbols as large as 2" (50.8 mm) square to be read as close as 1" (25.4 mm) with the optional right angle mirror.

Ease of Use

The imager series includes such user-friendly features as visible performance indicators, ESP[®] software, and one touch setup and configuration.

EZ Trax[™] Option

Image capture and storage software provides tracking of symbol images.

Compact Shape/Size

The Quadrus MINI Velocity's small form factor allows for flexible positioning in tight spaces or mounting into robotic applications.

Application Examples

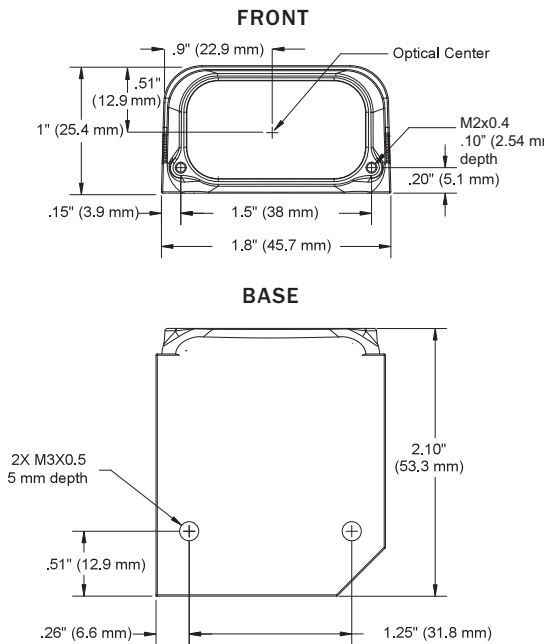
- Document handling
- Pharmaceutical packaging
- Printed circuit boards
- Electronics assembly
- Assembly line manufacturing

Quadrus MINI Velocity: Available Codes

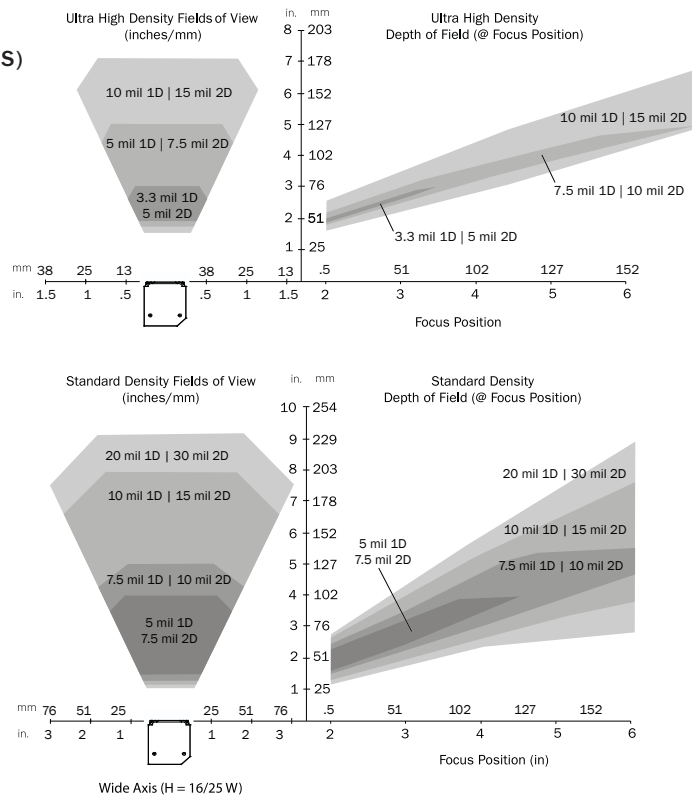


MICROSCAN[®]

QUADRUS® MINI VELOCITY SPECIFICATIONS AND OPTIONS



READ RANGES (GRAPHS AND TABLES)



MECHANICAL

Height: 1" (25.4 mm) **Width:** 1.80" (45.7 mm)
Depth: 2.10" (53.3 mm) **Weight:** 2 oz. (57 g)

ENVIRONMENTAL

Enclosure: IP54 (category 2)
Humidity: up to 90% (non-condensing)
Operating Temperature: 0° to 40° C (32° to 104° F)
Storage Temperature: -50° to 75° C (-58° to 167° F)

CE MARK

General Immunity for Light Industry:
 EN 55024: 1998 ITE Immunity Standard
Radiated and Conducted Emissions of ITE
 Equipment: EN 55022:98 ITE Disturbances

LIGHT SOURCE

Type: High output LEDs

LIGHT COLLECTION OPTIONS

Progressive scan, square pixel. Software adjustable shutter speed, electronic shutter.
WVGA: 752 by 480 pixels



SYBIOLOGIES

2D Symbolologies: Data Matrix (ECC 0-200), QR Code
Stacked Symbolologies: PDF417, Micro PDF417, GS1 Databar (Composite & Stacked)
Linear Bar Codes: Code 39, Code 128, BC 412, I2 of 5, UPC/EAN, Codabar, Code 93

READ PARAMETERS

Pitch: ±30° **Skew:** ±30° **Tilt:** 360°
Decode Rate: Up to 60 decodes per second
Focal Range: 1.3 to 10" (33 to 254 mm) (autofocus)

CONNECTOR

Type: 3 ft. cable terminated with High Density 15-pin D-Sub socket connector or USB Type A connector

INDICATORS

LEDs: Read Performance, Power, Read Status
Green Flash: Good read **Blue V:** Symbol locator
Beeper: Good read, match/mismatch, noread, serial command confirmation, on/off

COMMUNICATION PROTOCOLS

Standard Interface: RS-232, RS-422 or USB

ELECTRICAL

Power: 5 VDC +/- 5 %, 200 mV p-p max. ripple, 494 mA @ 5 VDC (typ.)
Optional Int.: 10-28 V Accessory

Narrow-bar-width		Field of View (maximum)	Read Range (using autofocus)
1D	2D		
Ultra High Density			
.0033" (0.08 mm)	.005" (0.13 mm)	1.1" (29 mm)	1.9 to 3.0" (48 mm to 76 mm)
.005" (0.13 mm)	.075" (0.19 mm)	1.8" (45 mm)	1.8 to 5.0" (46 mm to 127 mm)
.010" (0.25 mm)	.15" (0.38 mm)	2.5" (64 mm)	1.6 to 7.0" (41 mm to 178 mm)
Standard Density			
.005" (0.13 mm)	.0075" (0.19 mm)	2.7" (69 mm)	1.7 to 3.4" (43 mm to 86 mm)
.0075" (0.19 mm)	.010" (0.25 mm)	3.7" (93 mm)	1.6 to 5.0" (41 mm to 127 mm)
.010" (0.25 mm)	.15" (0.38 mm)	4.7" (118 mm)	1.4 to 8.0" (36 mm to 203 mm)
.020" (0.51 mm)	.030" (0.76 mm)	5.3" (136 mm)	1.3 to 9.3" (33 mm to 236 mm)

Subject to change. Contact Microscan for updated graphs.

HOST CONNECTOR/PIN ASSIGNMENTS

High Density 15 Pin D-sub Socket Connector

Pin No.	Host RS-232	Host/Aux RS-232	Host RS-422/485	In/Out
1	Power +5 VDC			In
2	TxD	TxD	TxD(-)	Out
3	RxD	RxD	RxD(-)	In
4	Power/Signal Ground			
5	NC			
6	RTS	Aux TxD	TxD(+)	Out
7	Output 1 TTL ^a			Out
8	Default configuration ^b			In
9	Trigger			In
10	CTS	Aux RxD	RxD (+)	In
11	Output 3 TTL ^a			Out
12	New Master (NPN)			In
13	Chassis ground ^c			
14	Output 2 TTL ^a			Out
15	NC			

a. Can sink 10 mA and source 10 mA.
 b. The default is activated by connecting pin 8 to ground pin 4.
 c. Chassis ground: Used to connect chassis body to earth ground only. Not to be used as power or signal return.

DISCRETE I/O

Trigger Input: 5 to 28 vdc rated (.16 mA)
New Master: 5 to 28 vdc rated (.16 mA)
Outputs (1, 2, 3): 5V TTL compatible, can sink 10 mA and source 10mA
Optional I/O: Optoisolated (with IC-332 accessory)

SAFETY CERTIFICATIONS DESIGNED FOR

FCC, UL/cUL, CE, CB

ROHS/WEEE COMPLIANT

ISO CERTIFICATION

Certified ISO 9001:2008 Quality Management System

©2011 Microscan Systems, Inc. SP005H 01/11
 Read Range and other performance data is determined using high quality Grade A symbols per ISO/IEC 15415 and ISO/IEC 15416 in a 25° C environment. For application-specific Read Range results, testing should be performed with symbols used in the actual application. Microscan Applications Engineering is available to assist with evaluations. Results may vary depending on symbol quality. **Warranty**—One year limited warranty on parts and labor. Free extended 3 year warranty upon online product registration.

MICROSCAN®

Microscan Systems Inc.

Tel 425 226 5700 / 800 251 7711
 Fax 425 226 8250

Microscan Europe

Tel 31 172 423360 / Fax 31 172 423366

Microscan Asia Pacific

Tel 65 6846 1214 / Fax 65 6846 4641

www.microscan.com

Product Information: info@microscan.com
 Auto ID Support: helpdesk@microscan.com
 Vision Support: visionsupport@microscan.com
 NERLITE Support: nerlitesupport@microscan.com