

CnC Tech, LLC

Industrial Cable and Connector Technology

Engineer drawing

PART NO.

JLL-301 WIRE

SCALE

1: 1

DESCRIPTION

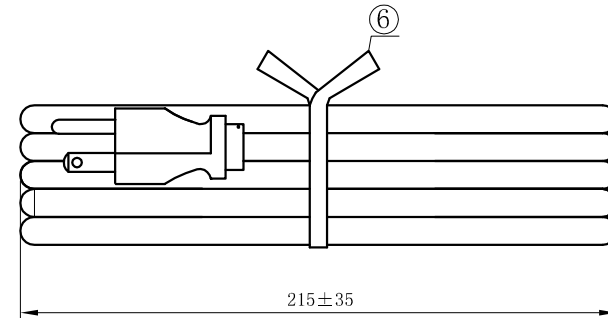
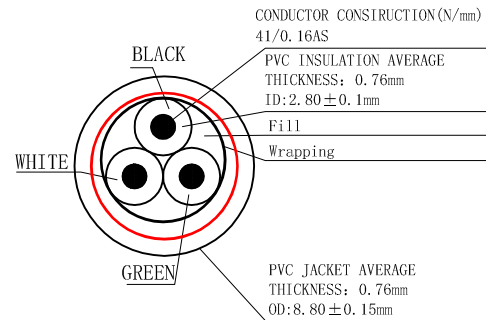
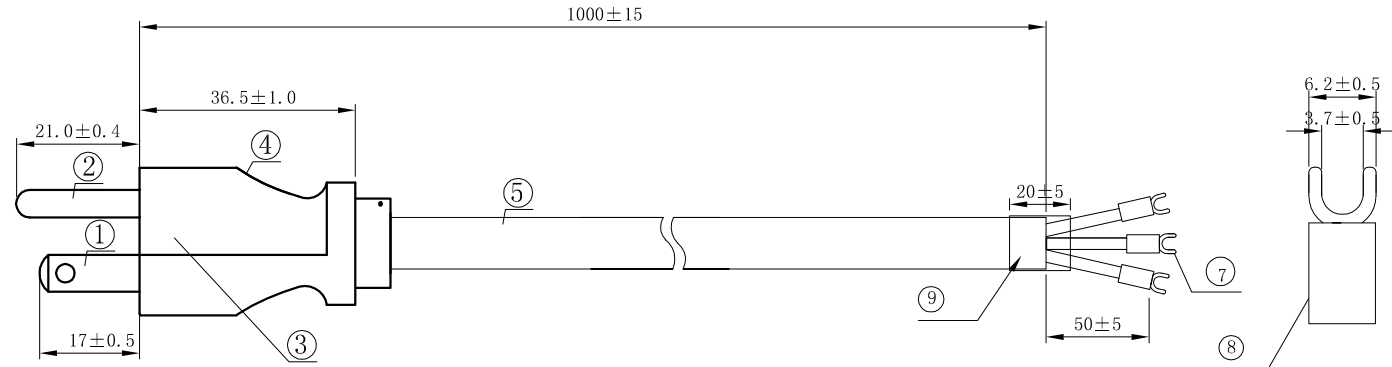
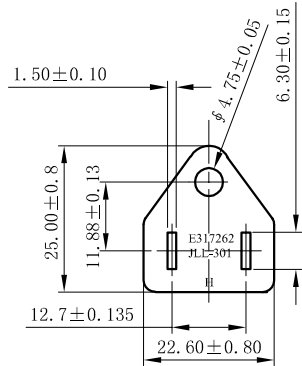
SJT#18\*3C 60C

UNIT:

mm

DWG No.

CNC-99-18



NOTES:

- 1) JACKET COLOR: BLACK
- 2). E-GREEN; L-BLACK ; N-WHITE



NO.	SPECIFICATION	COLOUR	MATERIAL	AMOUNT
①	Load terminals 98661	Silver	Cu	2P
②	Grounding terminal 97475	Silver	Cu	1P
③	Model aircraft 8661AN-3P	WHITE	PBT	1PCS
④	Plug JLL-301	BLACK	PVC Cu	1PCS
⑤	Wire SJT 18AWG/3C 60°C	BLACK	PVC Cu	1PCS
⑥	Ties	BLACK		1PCS
⑦	Solutions Terminal		Brass Tin/plated	3PCS
⑧	InsulateColour	RED		
⑨	Adhesive lined heat Shrink tube	BLACK		1PCS

Printing the contents of wire The use of printing ink replenish Wire

REV	DATE	DESCRIPTION	SYMBOL
DRAWN/DATE		CHECKED/DATE	
CAI/12.02.29		GONG/12.02.29	

E243711 (UL) SJT 3×18AWG(0.824mm²) VW-1 60°C 300V CSA 228191  
 SJT 3×18AWG(0.824mm²) FT2 60°C 300V -LF-