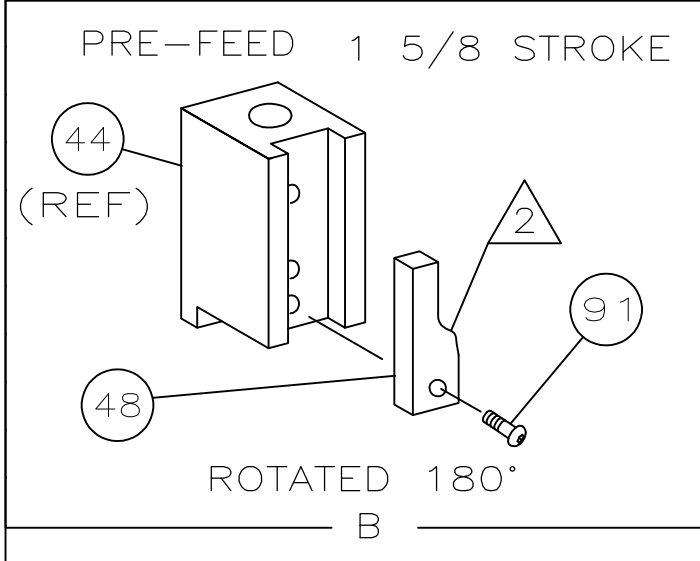
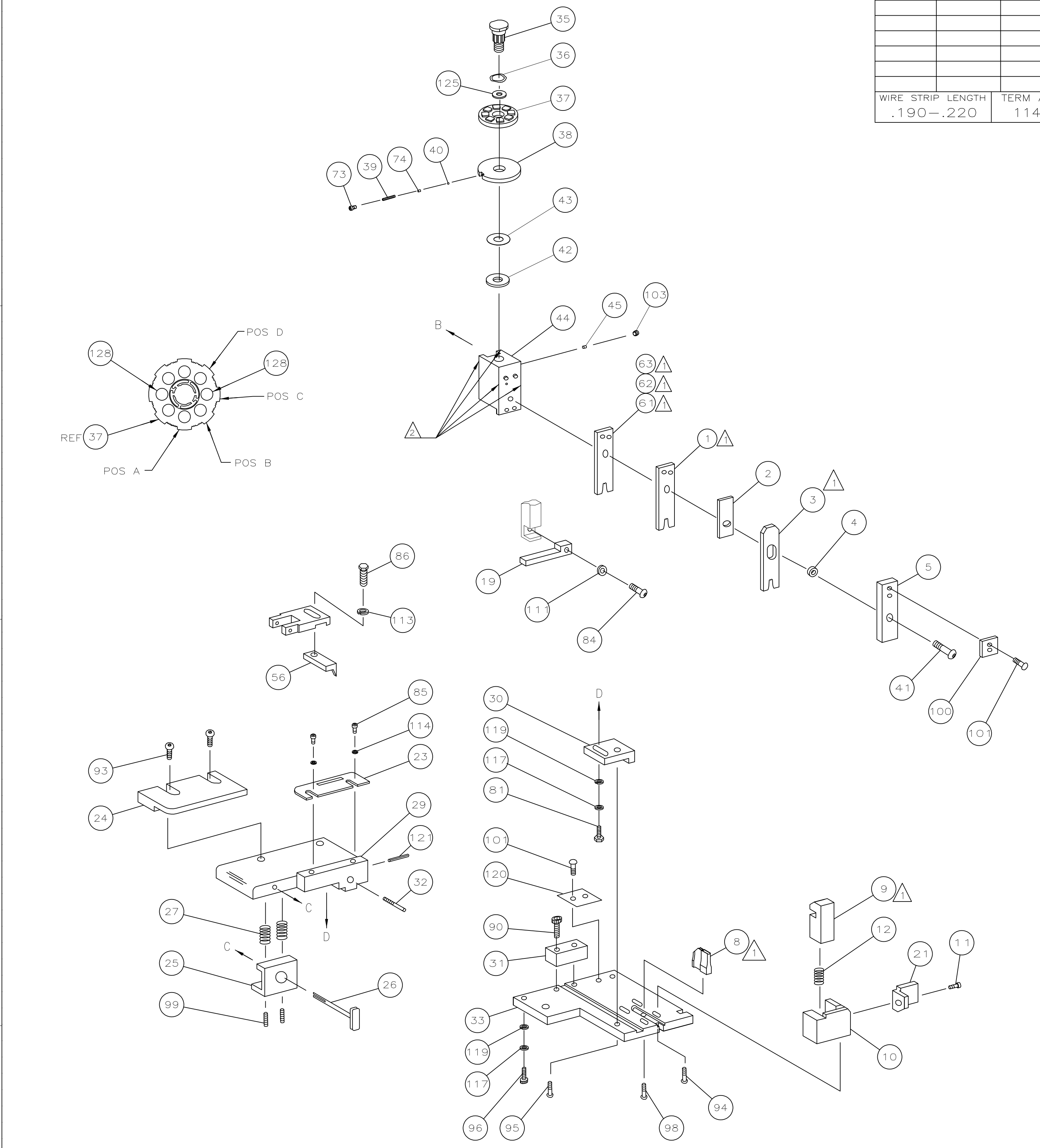


PART NUMBER	REV	FIRST USED
567923-1	C	854040-3

TERMINAL NAME: AMP-IN™ 4? TERMINAL		CRIMPING DATA	
770060	VISIBLE	CRIMP HEIGHT	
770770	PAD	WIRE SIZE	
794013	LTR	WIRE SIZE	
A	.110 +.005 -.000 [2.79 +0.13mm -0.0mm]	18-12	
B	NOT	USED	
C	NOT	USED	
D	NOT	USED	
CRIMP	SIZE	TYPE	RANGE
WIRE	.110 [2.79mm]	0	18-12
INSUL	.155 [3.94mm]	F	.090-.150
WIRE STRIP LENGTH	TERM APPL SPEC	FEED	APPL INSTRUCTION
.190-.220	114-1016	.560	SEE CUSTOMER MANUAL
		SET UP GAGE	LAYOUT
		NONE	1262-A1

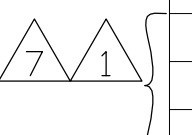
LOC	DIST	REVISIONS			
A	66	REV	DESCRIPTION	DATE	BY
		C	ECR-07-016367	7-2007	MY GB



- 1 RECOMMENDED SPARE PARTS.
- 2 GREASE LIGHTLY.
- 3 ITEM NOT SHOWN
- 4 FOR USE IN PRINTED CIRCUIT BOARD WITH A Ø.125 HOLE.
- 5 POSITION ITEM 19 BETWEEN ITEM 1 & ITEM 3.

- 6 CRIMP HEIGHT TO BE MEASURED OVER CENTER BARREL. SEE NOTE 7 FOR NOSE CRIMP HEIGHT INFORMATION.
 - 7
 - 8 12 GA WIRE TO BE USED WITH TERMINAL 794013 ONLY.
- | CRIMP HT | WIRE SIZE | CRIMPER NO. | ITEM NO. |
|-------------------------|-----------|-------------|----------|
| .085±.002 [2.16 ±.05mm] | 12 | 3-456408-4 | 63 |
| .055±.002 [1.4 ±.05mm] | 14 | 2-456408-5 | 61 |
| .043±.002 [1.1 ±.05mm] | 16 OR 18 | 2-456408-6 | 62 |
- SET UP APPLICATOR FOR 18 OR 16 WIRE (ITEM 62). (ITEMS 61 & 63) TO BE SHIPPED WITH APPLICATOR.

QTY	U/M	PART NO	DESCRIPTION	ITEM NO
2	-	354778-7	PIN, WIRE DISC (.2530)C	129
				128
				127
				126
1	-	986950-1	WASHER, FLAT PRECISION	125
1	-	217238-3	GENERAL INSTRUCTION PACKAGE	124
				123
				122
1	-	4-21028-0	PIN,SLT SPR(Ø.093x.75)ST GDE PL	121
1	-	690701-2	PLATE, SERIAL NO.	120
2	-	21899-2	WASHER,FLAT(#10)S G ADJ BLK	119
				118
2	-	21024-5	WASHER, LOCK(#10)ADJ BLOCK	117
				116
				115
2	-	21024-2	WASHER,LOCK(#4)FRONT STP GUIDE	114
REF	-	21024-4	WASHER,LOCK(#8)FEED FINGER	113
				112
REF	-	21024-4	WASHER,LOCK(#8)STRIPPER	111
				110
				109
				108
				107
				106
				105
				104
1	-	21009-2	SCR,SKT SET(1/4-20x.25 LW)RAM	103
				102
4	-	21017-2	SCR,DRIVE(#2x.19)ID PLATE	101
1	-	819347-1	PLATE, IDENTIFICATION	100
2	-	5-21006-6	SCR,SET(10-32x.75)DRAG	99
1	-	22733-8	SCR,BHC(8-32x.38 LW)ANVIL	98
				97
1	-	3-21000-8	SCR,SHC(10-32x.88)MOUNTING	96
1	-	2-21002-7	SCR,BHC(10-32x.50)SG ADJ BLK	95
2	-	2-21002-2	SCR,BHC(8-32x.50)SHEAR-TERM SUP	94
2	-	2-21002-3	SCR,BHC(8-32x.62)R STP GDE	93
				92
1	-	1-21002-7	SCR,SHC(6-32x.50)CAM	91
2	-	2-21000-7	SCR,SHC(8-32x.50)SCR BLK	90
				89
				88
				87
REF	-	2-22603-0	SCR,HEX HD(8-32x.31)FEED FINGER	86
2	-	1-21000-3	SCR,SHC(4-40x.25)F ST GUIDE	85
REF	-	22733-9	SCR,BHC(8-32x.50 SL)STRIPPER	84
				83
				82
1	-	3-22603-1	SCR,HEX(10-32x.38)SG ADJ BL	81
				80
				79
				78
2	-	463310-3	BLADE, STRIPPING (#16)	77
				76
				75
1	-	690603-1	SPRING, ASSIST	74
1	-	23030-1	SCR,SKT CAP(6-32x.25)CP DSC	73
				72
				71
QTY	U/M	PART NO	DESCRIPTION	ITEM NO



QTY	U/M	PART NO	DESCRIPTION	ITEM NO
				70
				69
				68
				67
				66
				65
				64
1	-	3-456408-4	CRIMPER, WIRE	63
1	-	2-456408-6	CRIMPER, WIRE	62
1	-	2-456408-5	CRIMPER, WIRE	61
				60
				59
				58
				57
REF	-	694433-8	PAWL, FEED	56
				55
				54
				53
				52
				51
				50
				49
1	-	690602-6	CAM, PRE-FEED 1.62 STROKE	48
				47
				46
1	-	690191-1	PLUG, NYLON	45
1	-	455673-5	RAM	44
1	-	690125-1	WASHER, LAMINATED	43
1	-	690124-1	WASHER, RAM	42
1	-	7-21002-9	BOLT, CRIMPER(5/16x1.00)	41
1	-	23241-6	BALL, STEEL	40
1	-	690170-1	SPRING, COMPRESSION	39
1	-	690142-1	DISC, INSULATION	38
1	-	354777-1	WIRE DISC, PLASTIC	37
1	-	22480-5	WASHER, SPRING	36
1	-	690212-1	POST, RAM	35
				34
1	-	462544-1	PLATE, BASE SPECIAL	33
1	-	690432-3	SCREW, ADJUSTMENT	32
1	-	462543-1	BLOCK, SCREW SPECIAL	31
1	-	455689-1	BLOCK, STRIP GUIDE ADJ	30
1	-	455671-1	PLATE, STRIP GUIDE	29
				28
2	-	1-22284-0	SPRING, DRAG	27
1	-	690546-1	LEVER, DRAG RELEASE	26
1	-	240792-1	DRAG, TERMINAL	25
1	-	662105-1	GUIDE, STRIP (REAR)	24
1	-	690438-1	GUIDE, STRIP (FRONT)	23
				22
1	-	463756-1	GUIDE, SCRAP	21
				20
5	-	462615-7	STRIPPER	19
				18
				17
				16
				15
				14
				13
1	-	3-22280-3	SPRING, SHEAR	12
1	-	690461-2	STOP, SHEAR (FRONT)	11
1	-	462548-1	HOLDER, SHEAR (FRONT) SP	10
1	-	462547-1	SHEAR, FLOAT (FRONT) SP	9
1	-	4-803653-9	ANVIL	8
				7
				6
1	-	462838-1	DEPRESSOR, SHEAR (FRONT) SP	5
1	-	238011-8	SPACER, BLOCK CRIMPER	4
1	-	3-683453-2	CRIMPER, INSULATION	3
1	-	455888-9	SPACER, CRIMPER	2
1	-	815664-2	CRIMPER, WIRE	1
QTY	U/M	PART NO	DESCRIPTION	ITEM NO

THIS DRAWING IS A CONTROLLED DOCUMENT.

DIMENSIONS: INCHES	TOLERANCES UNLESS OTHERWISE SPECIFIED:	DATE: 6/3/96	BY: R. O. WILSON
0.0005	0.0005	DATE: 6-6-96	CHK: C. ERISMAN
0.001	0.001	DATE: 6-7-96	APP: T. ELBIN
0.002	0.002	DATE: 6-7-96	NAME: STRIPPER CRIMPER APPLICATOR
0.005	0.005	DATE: 6-7-96	PRODUCT SPEC: -
0.010	0.010	DATE: 6-7-96	APPLICATION SPEC: -
0.020	0.020	DATE: 6-7-96	SIZE: A1
0.050	0.050	DATE: 6-7-96	CAGE CODE: 00779
0.100	0.100	DATE: 6-7-96	DRAWING NO: 567923
0.150	0.150	DATE: 6-7-96	RESTRICTED TO: -
0.200	0.200	DATE: 6-7-96	WEIGHT: -
0.250	0.250	DATE: 6-7-96	CUSTOMER DRAWING: -
0.300	0.300	DATE: 6-7-96	SCALE: -
0.350	0.350	DATE: 6-7-96	SHEET: 1 OF 1
0.400	0.400	DATE: 6-7-96	REV: C