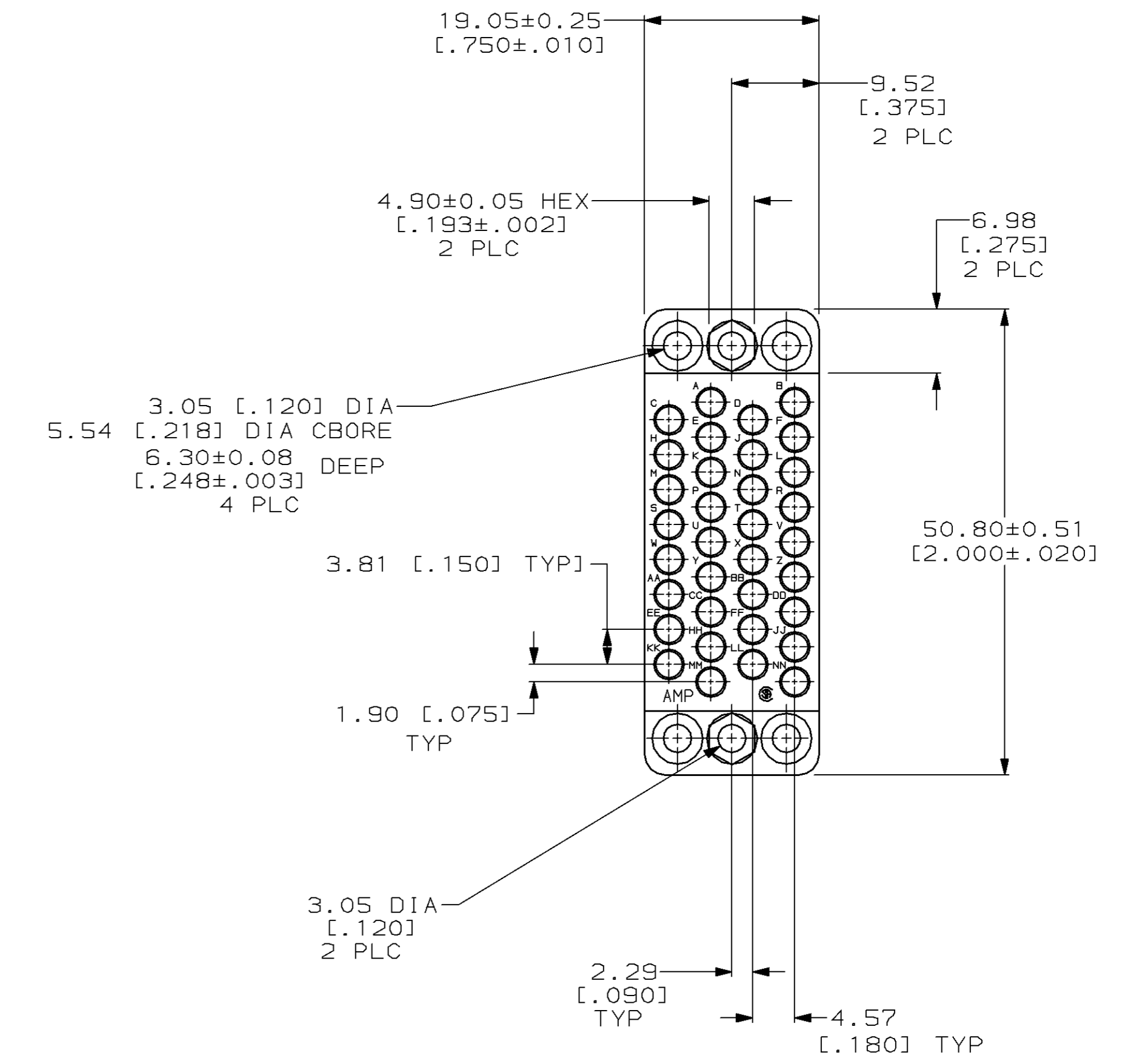
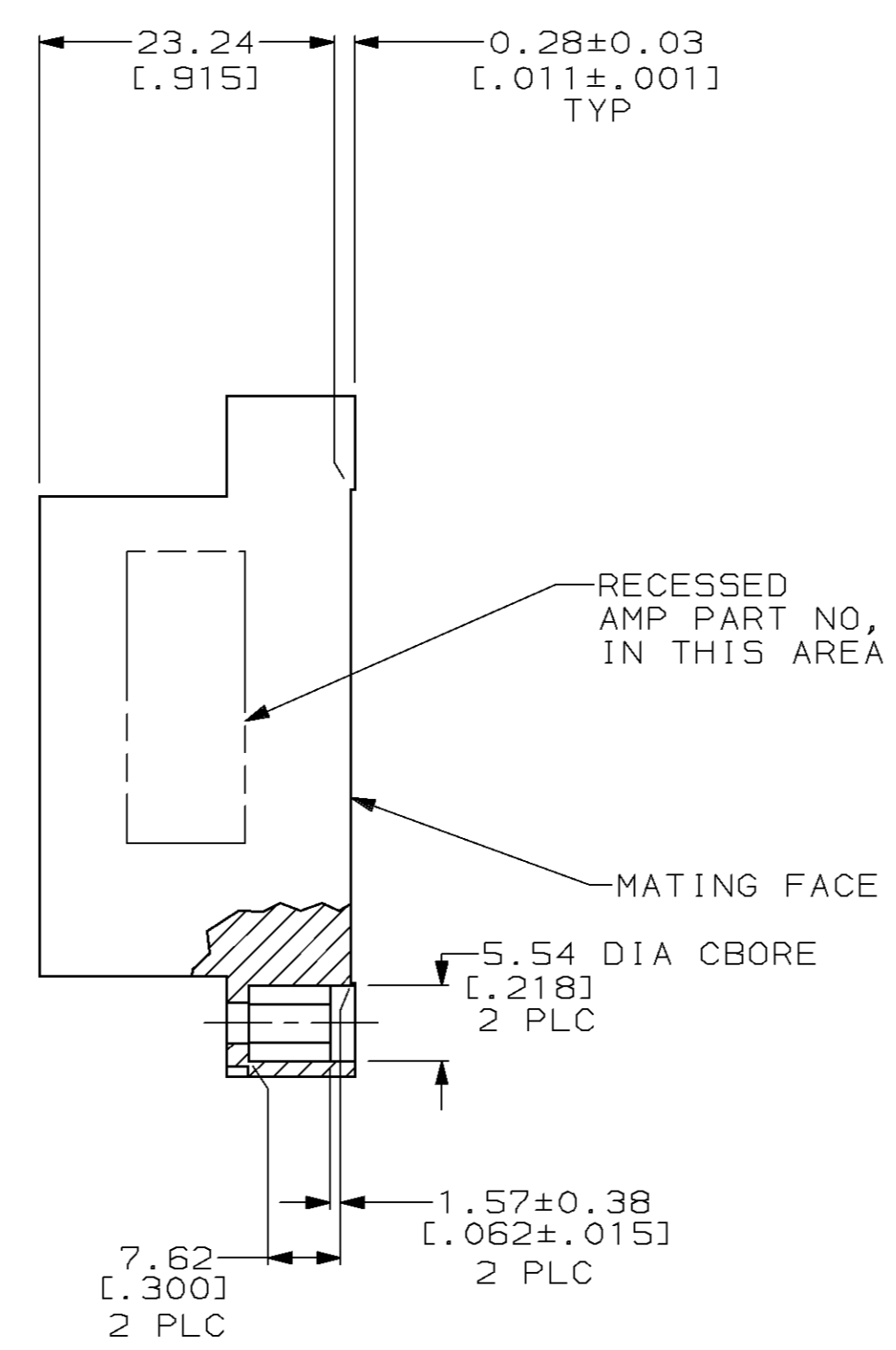
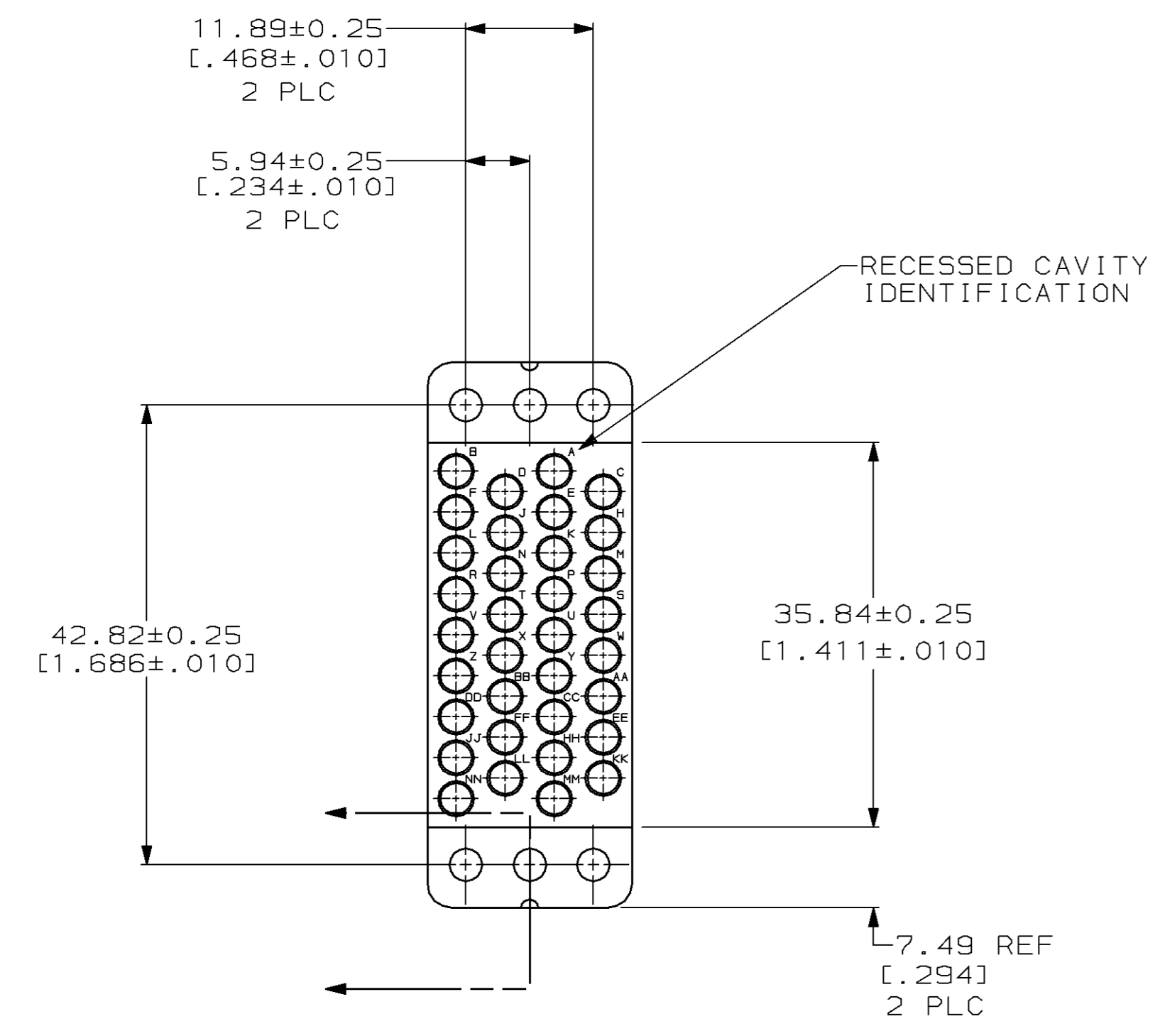


MOD		LOC		DIST		P		ZONE		LTR		REVISIONS			
NO	REV	NO	REV	NO	REV	NO	REV	NO	REV	NO	REV	NO	REV	NO	
2		BD		36								0	RLSE -1 PER NPR 5123 WAS	08/12/94	TC
													94-5050-001-05		



THIS DRAWING IS A CONTROLLED DOCUMENT FOR AMP INCORPORATED. IT IS SUBJECT TO CHANGE AND THE CONTROLLING ENGINEERING ORGANIZATION SHOULD BE CONTACTED FOR THE LATEST REVISION.

DO NOT SCALE PRINT. UNLESS SPECIFIED DIMENSIONS IN mm [INCHES] TOLERANCES ON: 2 PLC DEC ± 0.13 [.005] 3 PLC DEC ± - ANGLES ± -		DR 08-12-94 D.BROCKWAY	AMP AMP Incorporated Harrisburg, PA 17105-3608 NAME HOUSING, RCPT, 34 POSN, MINIATURE, RECTANGULAR M SERIES		
MATERIAL POLYESTER, BLACK		CHK 09-08-94 R.STONE			
FINISH -		APPLICATION SPEC -	PRODUCT SPEC -	SIZE D	CAGE CODE 00779
		WEIGHT -		DRAWING NO C-213802	SHEET 1 OF 1
			SCALE 2:1	CUSTOMER DRAWING	