



American Hakko Products, Inc.

# PRODUCT BULLETIN

**Bulletin No:** PB372

**Issue Date:** 1-15-2016

**Available:** 1-15-2016

**Product Description:**

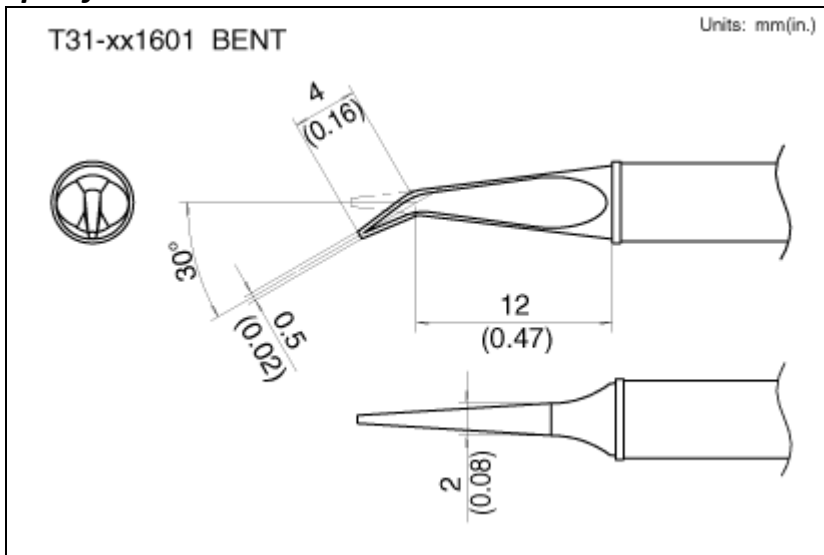
NEW HAKKO T31-xx Series Soldering Tip Shape

**Part No:**

T31-xx1601



**Specification:**



NOTE: xx:00 = 480°C (895°F) | 01 = 450°C (840°F) | xx:02 = 400°C (750°F) | xx:03 = 350°C (660°F)

**Comments:**

This HAKKO T31 Series Tip is a cross-over tip for the popular Metcal® SMTC-x172 Tip Cartridge.

For more information please visit us at [www.HakkoUSA.com](http://www.HakkoUSA.com)