

Date

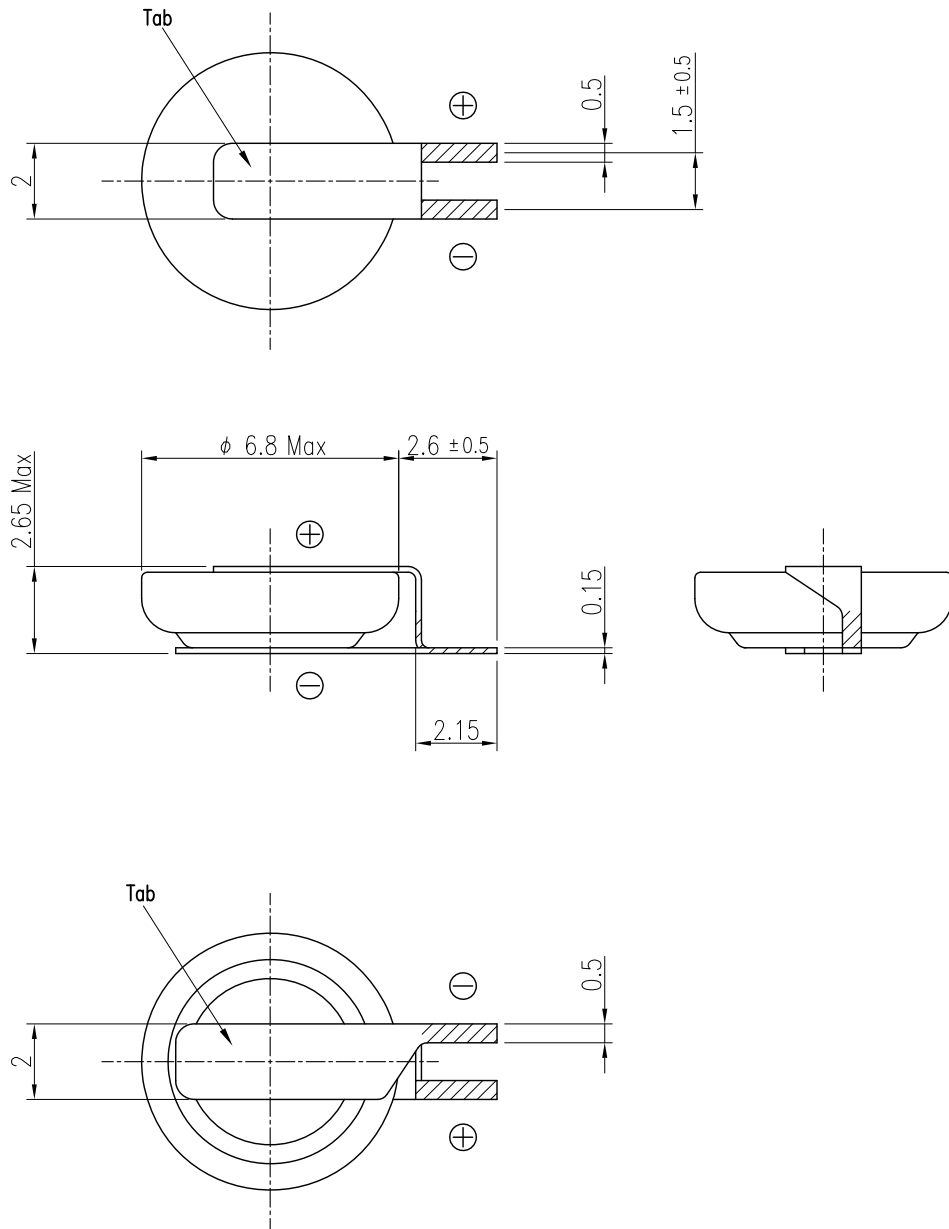
March 19, 2010

Drawing No

D-ML621TZ1 -E

### Shape and Dimension

TENTATIVE



Tab material : Plated stainless steel with Pb free  
Tab thickness : 0.15mm  
Welding strength of tab : Min.19.6N  
(Vertical direction from welding plate)

Unit : mm

Model

ML621-TZ1

FDK CORPORATION  
FDK TOTTORI CO., LTD. Business Development Department